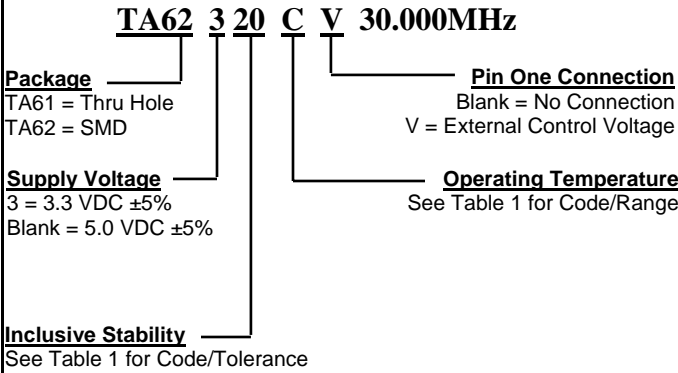


**PART NUMBERING GUIDE**

Revision: 1996-C

**TABLE 1**



| Operating Temperature |      | Frequency Stability (±ppm)<br>* Denotes Availability of Options |        |        |        |        |        |
|-----------------------|------|---|--------|--------|--------|--------|--------|
| Range                 | Code | 1.5ppm  | 2.0ppm | 2.5ppm | 3.0ppm | 3.5ppm | 5.0ppm |
|                       |      | 0 to 50°C   | A      | *      | *      | *      | *      |
| -10 to 60°C           | B    | *   | *      | *      | *      | *      | *      |
| -20 to 70°C           | C    | *   | *      | *      | *      | *      | *      |
| -30 to 60°C           | D    |   | *      | *      | *      | *      | *      |
| -30 to 75°C           | E    |   | *      | *      | *      | *      | *      |
| -35 to 85°C           | F    |   |        | *      | *      | *      | *      |
| -40 to 80°C           | G    |   |        |        | *      | *      | *      |

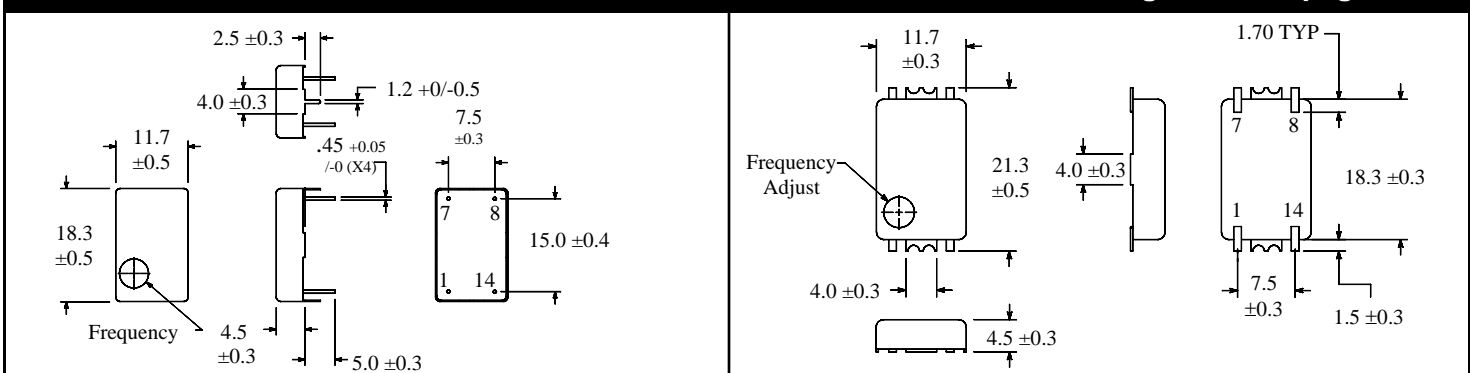
**ELECTRICAL SPECIFICATIONS**

**Environmental/Mechanical Specifications on page F5**

|   |   |  |
|---|---|--|
| Frequency Range                                 | 9.600MHz to 35.000MHz                               |  |
| Operating Temperature Range                     | See Table 1 Above.                                  |  |
| Storage Temperature Range                       | -40°C to 85°C                                       |  |
| Supply Voltage                                  | 3.3 VDC ±5% / 5.0 VDC ±5%                           |  |
| Load Drive Capability                           | 10TTL Load or 15pF HCMOS Load Maximum               |  |
| Internal Trim (Top of Can)                      | ±3ppm Minimum                                       |  |
| Control Voltage (External)                      | 2.5Vdc ±2.0Vdc<br>Positive Transfer Characteristics |  |
| Frequency Deviation                             | ±5ppm Minimum Over Control Voltage                  |  |
| Aging (@ 25°C)                                  | ±1ppm / year Maximum                                |  |
| Input Current / Duty Cycle / Rise and Fall Time | 30mA Maximum / 50±10% / 5nSeconds Maximum           |  |
| Output Voltage Logic High (Voh)                 | w/TTL Load<br>w/HCMOS Load                          | 2.4Vdc Minimum<br><br>Vdd - .05Vdc Minimum |
| Output Voltage Logic Low (Vol)                  | w/TTL Load<br>w/HCMOS Load                          | 0.4Vdc Maximum<br><br>0.5Vdc Maximum       |
| Frequency Stability                             | Vs. Operating Temperature                           | See Table 1 Above.                         |
|   | Vs. Inpput Voltage (±5%)                            | ±0.3ppm Maximum                            |
|   | Vs. Load (±2pF)                                     | ±0.3ppm Maximum                            |

**MECHANICAL DIMENSIONS**

**Marking Guide on page F3-F4**



Pin 1: Control Voltage (Not present when Control Voltage is specified as "No Connect")  
Pin 7: Case Ground

Pin 8: Output  
Pin 14: Supply Voltage