

SM320C6713-EP

FLOATING-POINT DIGITAL SIGNAL PROCESSORS

Data Manual



PRODUCTION DATA information is current as of publication date. Products conform to specifications per the terms of the Texas Instruments standard warranty. Production processing does not necessarily include testing of all parameters.

Literature Number: SGUS049I
August 2003–Revised September 2009

Contents

1	FEATURES	9
2	SUPPORTS DEFENSE, AEROSPACE, AND MEDICAL APPLICATIONS	10
3	DEVICE INFORMATION	11
	3.1 Description	14
	3.2 Device Characteristics	16
	3.3 Functional Block and CPU (DSP Core) Diagram	17
4	OVERVIEW	18
	4.1 CPU (DSP Core) Description	18
	4.2 Memory Map Summary	19
	4.3 L2 Memory Structure Expanded	21
	4.4 Peripheral Register Descriptions	22
	4.5 Signal Groups Description	30
5	DEVICE CONFIGURATIONS	35
	5.1 Device Configurations at Device Reset	35
	5.2 Peripheral Pin Selection at Device Reset	36
	5.3 Peripheral Selection/Device Configurations Via the DEVCFG Control Register	36
	5.4 Multiplexed Pins	37
	5.5 Configuration Examples	41
	5.6 Debugging Considerations	47
6	TERMINAL FUNCTIONS	47
	6.1 Development Support	54
	6.2 Device and Development-Support Tool Nomenclature	55
	6.2.1 Device Development Evolutionary Flow	55
	6.2.2 Support Tool Development Evolutionary Flow	55
	6.3 Ordering Nomenclature	56
	6.4 Documentation Support	56
7	REGISTER INFORMATION	58
	7.1 CPU Control Status Register (CSR) Description	58
	7.2 Cache Configuration (CCFG) Register Description (13B)	59
	7.3 Interrupts and Interrupt Selector	60
	7.4 External Interrupt Sources	62
	7.5 EDMA Module and EDMA Selector	63
8	PLL and PLL Controller	67
	8.1 PLL Registers	68
9	MULTICHANNEL AUDIO SERIAL PORT (McASP) PERIPHERALS	74
	9.1 McASP Block Diagram	74
	9.2 Multichannel Time Division Multiplexed (TDM) Synchronous Transfer Mode	76
	9.3 Burst Transfer Mode	76
	9.4 Supported Bit Stream Formats for TDM and Burst Transfer Modes	77
	9.5 Digital Audio Interface Transmitter (DIT) Transfer Mode (Transmitter Only)	77
	9.6 McASP Flexible Clock Generators	78
	9.7 McASP Error Handling and Management	78
	9.8 McASP Interrupts and EDMA Events	79
	9.9 I ² C	79
10	LOGIC AND POWER SUPPLY	81

10.1	General-Purpose Input/Output (GPIO)	81
10.2	Power-Down Mode Logic	82
10.2.1	Triggering, Wake-Up, and Effects	82
10.3	Power-Supply Sequencing	83
10.3.1	System-Level Design Considerations	84
10.3.2	Power-Supply Design Considerations	84
10.4	Power-Supply Decoupling	84
10.5	IEEE Std 1149.1 JTAG Compatibility Statement	84
10.6	EMIF Device Speed	85
10.7	EMIF Big Endian Mode Correctness (C6713B Only)	86
10.8	Bootmode	87
11	PARAMETRIC INFORMATION	88
11.1	Absolute Maximum Ratings	88
11.2	Recommended Operating Conditions	88
11.3	Electrical Characteristics	89
11.4	Parameter Measurement Information	90
11.4.1	Timing Information	90
11.4.2	Signal Transition Levels	90
11.4.3	AC Transient Rise/Fall Time Specifications	91
11.4.4	Timing Parameters and Board Routing Analysis	92
11.5	Input and Output Clocks	93
11.6	Asynchronous Memory Timing	96
11.7	Synchronous-Burst Memory Timing	99
11.8	Synchronous DRAM Timing	100
11.9	<u>HOLD/HOLDA</u> Timing	105
11.10	BUSREQ Timing	105
11.11	Reset Timing	106
11.12	External Interrupt Timing	108
11.13	Multichannel Audio Serial Port (McASP) Timing	109
11.14	Inter-Integrated Circuits (I ² C) Timing	112
11.15	Host-Port Interface Timing	114
11.16	Multichannel Buffered Serial Port (McBSP) Timing	118

List of Figures

4-1	320C67x™ CPU (DSP Core) Data Paths	19
4-2	L2 Memory Configuration	21
4-3	EDMA Channel Parameter Entries (Six Words) for Each EDMA Event	25
4-4	CPU (DSP Core) and Peripheral Signals	31
4-5	Peripheral Signals	32
4-6	Peripheral Signals	33
4-7	Peripheral Signals	34
4-8	Peripheral Signals	34
5-1	Configuration Example A (Two I2C + Two McASP + GPIO)	42
5-2	Configuration Example B (One I2C + One McBSP + Two McASP + GPIO)	43
5-3	Configuration Example C [2 I2C + 1 McBSP + 1 McASP + 1 McASP (DIT) + GPIO]	44
5-4	Configuration Example D [1 I2C + 2 McBSP + 1 McASP + 1 McASP (DIT) + GPIO + Timers]	45
5-5	Configuration Example E (1 I2C + HPI + 1 McASP).....	46
5-6	Configuration Example F (One McBSP + HPI + One McASP).....	47
6-1	TMS320C6000™ DSP Device Nomenclature (Including SM320C6713 and C6713B Devices)	56
7-1	CPU Control Status Register (CPU CSR)	58
7-2	Cache Configuration (CCFG) Register	60
8-1	PLL and Clock Generator Logic.....	67
9-1	McASP0 and McASP1 Configuration.....	75
9-2	I2Cx Module Block Diagram	80
10-1	GPIO Enable (GPEN) Register (Hex Address: 01B0 0000)	81
10-2	GPIO Direction (GPDIR) Register (Hex Address: 01B0 0004)	81
10-3	Power-Down Mode Logic.....	82
10-4	PWRD Field of the CSR	83
10-5	Schottky Diode Diagram.....	84
10-6	16/8-Bit EMIF Big Endian Mode Correctness Mapping (HD12 = 1) (C6713B Only)	86
10-7	16/8-Bit EMIF Big Endian Mode Correctness Mapping (HD12 = 0) (C6713B Only)	87
11-1	Test Load Circuit for AC Timing Measurements	90
11-2	Input and Output Voltage Reference Levels for AC Timing Measurements.....	90
11-3	Rise and Fall Transition Time Voltage Reference Levels.....	90
11-4	AC Transient Specification Rise Time	91
11-5	AC Transient Specification Fall Time	91
11-6	Board-Level Input/Output Timings	93
11-7	CLKIN	93
11-8	CLKOUT2	93
11-9	CLKOUT3	94
11-10	ECLKIN	94
11-11	ECLKOUT	95
11-12	Asynchronous Memory Read	98
11-13	Asynchronous Memory Write	98
11-14	SBSRAM Read Timing.....	100
11-15	SBSRAM Write Timing.....	100
11-16	SDRAM Read Command (CAS Latency 3)	102
11-17	SDRAM Write Command	102
11-18	SDRAM ACTV Command	103
11-19	SDRAM DCAB Command	103

11-20	SDRAM DEAC Command	104
11-21	SDRAM REFR Command	104
11-22	SDRAM MRS Command	104
11-23	HOLD/HOLD \bar{A} Timing	105
11-24	BUSREQ	106
11-25	Reset Timing	107
11-26	External/NMI Interrupt	108
11-27	McASP Input Timings	111
11-28	McASP Output Timings	111
11-29	I ² C Receive	112
11-30	I ² C Transmit Timings	113
11-31	HPI Read Timing (\overline{HAS} Not Used, Tied High)	116
11-32	HPI Read Timing (\overline{HAS} Used)	116
11-33	HPI Write Timing (\overline{HAS} Not Used, Tied High)	117
11-34	HPI Write Timing (\overline{HAS} Used).....	117

List of Tables

3-1	Terminal Assignments for 272-Ball GDP Package (in Order of Ball No.)	12
3-2	Characteristics of the C6713 and C6713B Processor	16
4-1	320C6713/13B Memory Map Summary	20
4-2	EMIF Registers	22
4-3	L2 Cache Registers	23
4-4	Interrupt Selector Registers	23
4-5	Device Registers	24
4-6	EDMA Parameter RAM	24
4-7	EDMA Registers	25
4-8	Quick DMA (QDMA) and Pseudo Registers	25
4-9	PLL Controller Registers	25
4-10	McASP0 and McASP1 Registers	26
4-11	I2C0 and I2C1 Registers	28
4-12	HPI Registers	28
4-13	Timer 0 and Timer 1 Registers	28
4-14	McBSP0 and McBSP1 Registers	29
4-15	GPIO Registers	29
5-1	Device Configurations Pins at Device Reset (HD[4:3], HD8, HD12 [13B only], and CLKMODE0)	35
5-2	HPI_EN (HD14 Pin) Peripheral Selection (HPI or McASP1, and Select GPIO Pins)	36
5-3	Device Configuration Register (DEVCFG) [Address Location: 0x019C0200–0x019C02FF]	36
5-4	Device Configuration Register (DEVCFG) Selection Bit Descriptions	37
5-5	Peripheral Pin Selection Matrix	38
5-6	C6713/13B Device Multiplexed/Shared Pins	38
6-1	320C6713 and C6713B Device Part Numbers (P/Ns) and Ordering Information	56
7-1	CPU CSR Bit Field Description	59
7-2	CCFG Register Bit Field Description	60
7-3	DSP Interrupts	60
7-4	Interrupt Selector	62
7-5	External Interrupt Sources and Peripheral Module Control	63
7-6	EDMA Channels	64
7-7	EDMA Selector	65
7-8	EDMA Event Selector Registers (ESEL0 Register (0x01A0 FF00)	66
7-9	EDMA Event Selector Registers—ESEL1 Register (0x01A0 FF04)	66
7-10	EDMA Event Selector Registers—ESEL3 Register (0x01A0 FF0C)	66
7-11	EDMA Event Selection Registers (ESEL0, ESEL1, and ESEL3) Description	66
8-1	PLL Lock and Reset Times	68
8-2	CLKOUT Signals, Default Settings, and Control	68
8-3	PLL Clock Frequency Ranges	69
8-4	PLL Control/Status Register (PLLCSR) (0x01B7 C100)	70
8-5	PLL Control/Status Register (PLLCSR) Description	70
8-6	PLL Multiplier (PLL M) Control Register (0x01B7 C110)	70
8-7	PLL Multiplier (PLL M) Control Register Description	71
8-8	PLL Wrapper Divider x Registers (PLLDIV0, PLLDIV1, PLLDIV2, and PLLDIV3) (0x01B7 C114, 0x01B7 C118, 0x01B7 C11C, and 0x01B7 C120, respectively)	71
8-9	PLL Wrapper Divider x Registers (Prescaler Divider D0 and Post-Scaler Dividers D1, D2, and D3) Description	71
8-10	Oscillator Divider 1 (OSCDIV1) Register (0x01B7 C124)	72

8-11	Oscillator Divider 1 (OSCDIV1) Register Description	73
10-1	Characteristics of the Power-Down Modes	83
10-2	C6713/13B Example Boards and Maximum EMIF Speed	86
11-1	Board-Level Timings Example (see)	92
11-2	Timing Requirements for CLKIN	93
11-3	Switching Characteristics for CLKOUT2	93
11-4	Switching Characteristics for CLKOUT3	94
11-5	Timing Requirements for ECLKIN	94
11-6	Switching Characteristics for ECLKOUT	95
11-7	Timing Requirements for Asynchronous Memory Cycles	96
11-8	Switching Characteristics for Asynchronous Memory Cycles	96
11-9	Timing Requirements for Synchronous-Burst SRAM Cycles	99
11-10	Switching Characteristics for Synchronous-Burst SRAM Cycles	99
11-11	Timing Requirements for Synchronous DRAM Cycles	100
11-12	Switching Characteristics for Synchronous DRAM Cycles	100
11-13	Timing Requirements for $\overline{\text{HOLD}}/\overline{\text{HOLDA}}$ Cycles	105
11-14	Switching Characteristics for $\overline{\text{HOLD}}/\overline{\text{HOLDA}}$ Cycles	105
11-15	Switching Characteristics for BUSREQ Cycles	105
11-16	Timing Requirements for $\overline{\text{RESET}}$	106
11-17	Switching Characteristics For $\overline{\text{RESET}}$	106
11-18	Timing Requirements for External Interrupts	108
11-19	Timing Requirements for McASP	109
11-20	Switching Characteristics for McASP	109
11-21	Timing Requirements for I ² C	112
11-22	Switching Characteristics for I ² C	113
11-23	Timing Requirements for Host-Port Interface Cycles	114
11-24	Switching Characteristics for Host-Port Interface Cycles	115
11-25	Timing Requirements for McBSP	118

FLOATING-POINT DIGITAL SIGNAL PROCESSORS

Check for Samples: [SM320C6713-EP](#)

1 FEATURES

- **Highest Performance Floating Point Digital Signal Processors (DSPs): C6713/C6713B**
 - Eight 32 Bit Instructions/Cycle
 - 32/64 Bit Data Word
 - 200 and 300 MHz Clock Rate
 - 5 Instruction Cycle Times
 - 2400/1800 and 1600/1200 MIPS/MFLOPS
 - Rich Peripheral Set, Optimized for Audio
 - Highly Optimized C/C++ Compiler
 - **Advanced Very Long Instruction Word (VLIW) 320C67x™ DSP Core**
 - Eight Independent Functional Units:
 - Two ALUs (Fixed Point)
 - Four ALUs (Floating Point and Fixed Point)
 - Two Multipliers (Floating Point and Fixed Point)
 - Load Store Architecture With 32 32-Bit General Purpose Registers
 - Instruction Packing Reduces Code Size
 - All Instructions Conditional
 - **Instruction Set Features**
 - Native Instructions for IEEE 754
 - Byte Addressable (8/16/32 Bit Data)
 - 8 Bit Overflow Protection
 - Saturation; Bit-Field Extract, Set, Clear; Bit-Counting; Normalization
 - **L1/L2 Memory Architecture**
 - 4K Byte L1P Program Cache (Direct-Mapped)
 - 4K Byte L1D Data Cache (2-Way)
 - 256K Byte L2 Memory Total: 64K-Byte L2 Unified Cache/Mapped RAM, and 192K Byte Additional L2 Mapped RAM
 - **Device Configuration**
 - Boot Mode: HPI, 8/16/32 Bit ROM Boot
 - Endianness: Little Endian, Big Endian
 - **32 Bit External Memory Interface (EMIF)**
 - Glueless Interface to SRAM, EPROM, Flash, SBSRAM, and SDRAM
 - 512M Byte Total Addressable External Memory Space
 - **Enhanced Direct Memory Access (EDMA) Controller (16 Independent Channels)**
 - **16 Bit Host Port Interface (HPI)**
 - **Two Multichannel Audio Serial Ports (McASPs)**
 - Two Independent Clock Zones Each (One TX and One RX)
 - Eight Serial Data Pins Per Port: Individually Assignable to any of the Clock Zones
 - Wide Variety of I²S™ and Similar Bit Stream Formats
 - Integrated Digital Audio Interface Transmitter (DIT)
 - Extensive Error Checking and Recovery
 - **Two Inter-Integrated Circuit Bus (I²C™ Bus) Multi-Master and Slave Interfaces**
 - **Two Multichannel Buffered Serial Ports:**
 - Serial Peripheral Interface (SPI)
 - High Speed TDM Interface
 - AC97 Interface
 - **Two 32 Bit General Purpose Timers**
 - **Dedicated GPIO Module With 16 Pins (External Interrupt Capable)**
 - **Flexible Phase Locked Loop (PLL) Based Clock Generator Module**
 - **IEEE-1149.1 (JTAG)⁽¹⁾ Boundary-Scan Compatible**
 - **272 Ball, Ball Grid Array Package (GDP)**
 - **0.13 μm/6 Level Copper Metal Process**
 - CMOS Technology
 - **3.3 V I/Os, 1.26 V Internal**
- (1) IEEE Standard 1149.1-1990 Standard-Test-Access Port and Boundary Scan Architecture.



Please be aware that an important notice concerning availability, standard warranty, and use in critical applications of Texas Instruments semiconductor products and disclaimers thereto appears at the end of this data sheet.

320C67x, TMS320C67x, TMS320C6000, eXpressDSP, Code Composer Studio, DSP/BIOS, C6000, XDS, TMS320, PowerPAD, C62x, C67x are trademarks of Texas Instruments.

2 SUPPORTS DEFENSE, AEROSPACE, AND MEDICAL APPLICATIONS

- **Controlled Baseline**
- **One Assembly/Test Site**
- **One Fabrication Site**
- **Available in Military (–55°C/125°C) Temperature Range⁽²⁾**
- **Extended Product Life Cycle**
- **Extended Product-Change Notification**
- **Product Traceability**

(2) Custom temperature ranges available

320C67x, TMS320C67x, TMS320C6000, eXpressDSP, Code Composer Studio, DSP/BIOS, C6000, XDS, TMS320, PowerPAD, C62x, C67x are trademarks of Texas Instruments.

3 DEVICE INFORMATION

**GDP 272-BALL BGA PACKAGE
(BOTTOM VIEW)**

Y	V _{SS}	V _{SS}	ED18	$\overline{\text{BE}}2$	ARDY	EA2	DV _{DD}	EA7	EA9	ECLKOUT	ECLKIN	CLKOUT2 GP[2]	V _{SS}	EA14	EA16	EA18	DV _{DD}	EA20	V _{SS}	V _{SS}
W	V _{SS}	CV _{DD}	DV _{DD}	ED17	V _{SS}	$\overline{\text{CE}}2$	EA4	EA6	DV _{DD}	$\overline{\text{AOE}}/SDRAS/SSOE$	V _{SS}	DV _{DD}	EA11	EA13	EA15	V _{SS}	EA19	$\overline{\text{CE}}1$	CV _{DD}	V _{SS}
V	ED20	ED19	CV _{DD}	ED16	$\overline{\text{BE}}3$	$\overline{\text{CE}}3$	EA3	EA5	EA8	EA10	$\overline{\text{ARE}}/SDCAS/SSADS$	$\overline{\text{AWE}}/SDWE/SSWE$	DV _{DD}	EA12	DV _{DD}	EA17	$\overline{\text{CE}}0$	CV _{DD}	DV _{DD}	$\overline{\text{BE}}0$
U	ED22	ED21	ED23	V _{SS}	DV _{DD}	CV _{DD}	DV _{DD}	V _{SS}	V _{SS}	CV _{DD}	CV _{DD}	DV _{DD}	V _{SS}	CV _{DD}	CV _{DD}	DV _{DD}	V _{SS}	EA21	$\overline{\text{BE}}1$	V _{SS}
T	ED24	ED25	DV _{DD}	V _{SS}													V _{SS}	ED13	ED15	ED14
R	DV _{DD}	ED27	ED26	CV _{DD}													CV _{DD}	DV _{DD}	ED11	ED12
P	ED28	ED29	ED30	V _{SS}													V _{SS}	ED9	V _{SS}	ED10
N	SCL0	SDA0	ED31	V _{SS}													V _{SS}	ED6	ED7	ED8
M	CLKR1/ AXR0[6]	DR1/ SDA1	FSR1/ AXR0[7]	V _{SS}													V _{SS}	DV _{DD}	ED4	ED5
L	FSX1	DX1 AXR0[5]	CLKX1/ AMUTE0	CV _{DD}													CV _{DD}	ED2	ED3	CV _{DD}
K	CV _{DD}	V _{SS}	CLKS0 AHCLKR0	CV _{DD}													CV _{DD}	ED0	ED1	V _{SS}
J	DR0/ AXR0[0]	DV _{DD}	FSR0/ AFSR0	V _{SS}													$\overline{\text{HOLD}}$	$\overline{\text{HOLD}}A$	BUS REQ	HINT/ GP[1]
H	FSX0/ AFSX0	DX0/ AXR0[1]	CLKR0/ ACLKR0	V _{SS}													V _{SS}	DV _{DD}	HRDY/ ACLKR[1]	HHWL/ AFSR[1]
G	TOUT0/ AXR0[2]	TINP0/ AXR0[3]	CLKX0/ ACLKX0	V _{SS}													V _{SS}	HCNTL0/ AXR1[3]	HCNTL1/ AXR1[1]	HRW/ AXR1[0]
F	TOUT1/ AXR0[4]	TINP1/ AHCLKX0	DV _{DD}	CV _{DD}													CV _{DD}	FDS2/ AXR1[5]	V _{SS}	FCS/ AXR1[1]
E	CLKS1/ SCL1	V _{SS}	GP[7] EXT_INT7	V _{SS}													V _{SS}	FAS/ ACLKX1	FDS/ AXR1[6]	HD0/ AXR1[4]
D	DV _{DD}	GP[6] EXT_INT6	EMU2	V _{SS}	CV _{DD}	CV _{DD}	RSV	V _{SS}	EMU0	CLKOUT3	CV _{DD}	RSV	V _{SS}	CV _{DD}	CV _{DD}	DV _{DD}	V _{SS}	HD2/ AFSX1	DV _{DD}	HD1/ AXR1[7]
C	GP[5] (EXT_INT5) AMUTEIN0	GP[4] (EXT_INT4) AMUTEIN1	CV _{DD}	CLK MODE0	PLLHV	V _{SS}	CV _{DD}	V _{SS}	V _{SS}	DV _{DD}	EMU4	RSV	NMI	HD14/ GP[14]	HD12/ GP[12]	HD9/ GP[9]	HD6/ AHCLKR1	CV _{DD}	HD4/ GP[0]	HD3/ AMUTE1
B	V _{SS}	CV _{DD}	DV _{DD}	V _{SS}	RSV	$\overline{\text{TRST}}$	TMS	DV _{DD}	EMU1	EMU3	RSV	EMU5	DV _{DD}	HD15/ GP[15]	V _{SS}	HD10/ GP[10]	HD8/ GP[8]	HD5/ AHCLKX1	CV _{DD}	V _{SS}
A	V _{SS}	V _{SS}	CLKIN	CV _{DD}	RSV	TCK	TDI	TD0	CV _{DD}	CV _{DD}	V _{SS}	RSV	$\overline{\text{RESET}}$	V _{SS}	HD13/ GP[13]	HD11/ GP[11]	DV _{DD}	HD7/ GP[3]	V _{SS}	V _{SS}
	1	2	3	4	5	6	7	8	9	10	11	12	13	14	15	16	17	18	19	20

Shading denotes the GDP package pin functions that drop out on the PYP package.

Table 3-1. Terminal Assignments for 272-Ball GDP Package (in Order of Ball No.)

BALL NO.	SIGNAL NAME	BALL NO.	SIGNAL NAME
A1	V _{SS}	C1	GP[5](EXT_INT5)/AMUTEIN0
A2	V _{SS}	C2	GP[4](EXT_INT4)/AMUTEIN1
A3	CLKIN	C3	CV _{DD}
A4	CV _{DD}	C4	CLKMODE0
A5	RSV	C5	PLLHV
A6	TCK	C6	V _{SS}
A7	TDI	C7	CV _{DD}
A8	TDO	C8	V _{SS}
A9	CV _{DD}	C9	V _{SS}
A10	CV _{DD}	C10	DV _{DD}
A11	V _{SS}	C11	EMU4
A12	RSV (connected directly to CV _{DD})	C12	RSV
A13	RESET	C13	NMI
A14	V _{SS}	C14	HD14/GP[14]
A15	HD13/GP[13]	C15	HD12/GP[12]
A16	HD11/GP[11]	C16	HD9/GP[9]
A17	DV _{DD}	C17	HD6/AHCLKR1
A18	HD7/GP[3]	C18	CV _{DD}
A19	V _{SS}	C19	HD4/GP[0]
A20	V _{SS}	C20	HD3/AMUTE1
B1	V _{SS}	D1	DV _{DD}
B2	CV _{DD}	D2	GP[6](EXT_INT6)
B3	DV _{DD}	D3	EMU2
B4	V _{SS}	D4	V _{SS}
B5	RSV	D5	CV _{DD}
B6	TRST	D6	CV _{DD}
B7	TMS	D7	RSV
B8	DV _{DD}	D8	V _{SS}
B9	EMU1	D9	EMU0
B10	EMU3	D10	CLKOUT3
B11	RSV (connected directly to V _{SS})	D11	CV _{DD}
B12	EMU5	D12	RSV
B13	DV _{DD}	D13	V _{SS}
B14	HD15/GP[15]	D14	CV _{DD}
B15	V _{SS}	D15	CV _{DD}
B16	HD10/GP[10]	D16	DV _{DD}
B17	HD8/GP[8]	D17	V _{SS}
B18	HD5/AHCLKX1	D18	HD2/AFSX1
B19	CV _{DD}	D19	DV _{DD}
B20	V _{SS}	D20	HD1/AXR1[7]
E1	CLKS1/SCL1	J17	HOLD
E2	V _{SS}	J18	HOLDA
E3	GP[7](EXP_INT7)	J19	BUSREQ
E4	V _{SS}	J20	HINT/GP[1]
E17	V _{SS}	K1	CV _{DD}
E18	HAS/ACLKX1	K2	V _{SS}
E19	HDS1/AXR1[6]	K3	CLKS0/AHCLKR0
E20	HD0/AXR1[4]	K4	CV _{DD}
F1	TOUT1/AXR0[4]	K9	V _{SS}
F2	TINP1/AHCLKX0	K10	V _{SS}

Table 3-1. Terminal Assignments for 272-Ball GDP Package (in Order of Ball No.) (continued)

BALL NO.	SIGNAL NAME	BALL NO.	SIGNAL NAME
F3	DV _{DD}	K11	V _{SS}
F4	CV _{DD}	K12	V _{SS}
F17	CV _{DD}	K17	CV _{DD}
F18	HDS2/AXR1[5]	K18	ED0
F19	V _{SS}	K19	ED1
F20	HCS/AXR1[2]	K20	V _{SS}
G1	TOUT0/AXR0[2]	L1	FSX1
G2	TINP0/AXR0[3]	L2	DX1/AXR0[5]
G3	CLKX0/ACLKX0	L3	CLKX1/AMUTE0
G4	V _{SS}	L4	CV _{DD}
G17	V _{SS}	L9	V _{SS}
G18	HCNTL0/AXR1[3]	L10	V _{SS}
G19	HCNTL1/AXR1[1]	L11	V _{SS}
G20	HR/W/AXR1[0]	L12	V _{SS}
H1	FSX0/AFSX0	L17	CV _{DD}
H2	DX0/AXR0[1]	L18	ED2
H3	CLKR0/ACLKR0	L19	ED3
H4	V _{SS}	L20	CV _{DD}
H17	V _{SS}	M1	CLKR1/AXR0[6]
H18	DV _{DD}	M2	DR1/SDA1
H19	HRDY/ACLKR1	M3	FSR1/AXR0[7]
H20	HHWIL/AFSR1	M4	V _{SS}
J1	DR0/AXR0[0]	M9	V _{SS}
J2	DV _{DD}	M10	V _{SS}
J3	FSR0/AFSR0	M11	V _{SS}
J4	V _{SS}	M12	V _{SS}
J9	V _{SS}	M17	V _{SS}
J10	V _{SS}	M18	DV _{DD}
J11	V _{SS}	M19	ED4
J12	V _{SS}	M20	ED5
N1	SCL0	U9	V _{SS}
N2	SDA0	U10	CV _{DD}
N3	ED31	U11	CV _{DD}
N4	V _{SS}	U12	DV _{DD}
N17	V _{SS}	U13	V _{SS}
N18	ED6	U14	CV _{DD}
N19	ED7	U15	CV _{DD}
N20	ED8	U16	DV _{DD}
P1	ED28	U17	V _{SS}
P2	ED29	U18	EA21
P3	ED30	U19	BE1
P4	V _{SS}	U20	V _{SS}
P17	V _{SS}	V1	ED20
P18	ED9	V2	ED19
P19	V _{SS}	V3	CV _{DD}
P20	ED10	V4	ED16
R1	DV _{DD}	V5	BE3
R2	ED27	V6	CE3
R3	ED26	V7	EA3
R4	CV _{DD}	V8	EA5
R17	CV _{DD}	V9	EA8

Table 3-1. Terminal Assignments for 272-Ball GDP Package (in Order of Ball No.) (continued)

BALL NO.	SIGNAL NAME	BALL NO.	SIGNAL NAME
R18	DV _{DD}	V10	EA10
R19	ED11	V11	ARE/SDCAS/SSADS
R20	ED12	V12	AWE/SDWE/SSWE
T1	ED24	V13	DV _{DD}
T2	ED25	V14	EA17
T3	DV _{DD}	V15	DV _{DD}
T4	V _{SS}	V16	EA
T17	V _{SS}	V17	CE ₀
T18	ED13	V18	CV _{DD}
T19	ED15	V19	DV _{DD}
T20	ED14	V20	BE ₀
U1	ED22	W1	V _{SS}
U2	ED21	W2	CV _{DD}
U3	ED23	W3	DV _{DD}
U4	V _{SS}	W4	ED17
U5	DV _{DD}	W5	V _{SS}
U6	CV _{DD}	W6	CE ₂
U7	DV _{DD}	W7	EA4
U8	V _{SS}	W8	EA6
W9	DV _{DD}	Y5	ARDY
W10	AOE/SDRAS/SSOE	Y6	EA2
W11	V _{SS}	Y7	DV _{DD}
W12	DV _{DD}	Y8	EA7
W13	EA11	Y9	EA9
W14	EA13	Y10	ECLKOUT
W15	EA15	Y11	ECLKIN
W16	V _{SS}	Y12	CLKOUT2/GP[2]
W17	EA19	Y13	V _{SS}
W18	CE ₁	Y14	EA14
W19	CV _{DD}	Y15	EA16
W20	V _{SS}	Y16	EA18
Y1	V _{SS}	Y17	DV _{DD}
Y2	V _{SS}	Y18	EA20
Y3	ED18	Y19	V _{SS}
Y4	BE ₂	Y20	V _{SS}

3.1 Description

The TMS320C67x™ DSPs (including the SM320C6713 and SM320C6713B devices) compose the floating-point DSP generation in the TMS320C6000™ DSP platform. The C6713 and C6713B devices are based on the high-performance, advanced very-long-instruction-word (VLIW) architecture developed by Texas Instruments (TI), making this DSP an excellent choice for multichannel and multifunction applications. Throughout the remainder of this document, the SM320C6713 and SM320C6713B are referred to as 320C67x or C67x or 13/13B where generic, and where specific, their individual full device part numbers are used or abbreviated as C6713, C6713B, 13, or 13B, and so forth.

Operating at 225 MHz, the C6713/13B delivers up to 1350 million floating-point operations per second (MFLOPS), 1800 million instructions per second (MIPS), and with dual fixed-/floating-point multipliers up to 450 million multiply-accumulate operations per second (MMACS).

Operating at 300 MHz, the C6713B delivers up to 1800 million floating-point operations per second (MFLOPS), 2400 million instructions per second (MIPS), and with dual fixed-/floating-point multipliers up to 600 million multiply-accumulate operations per second (MMACS).

The C6713/13B has a rich peripheral set that includes two multichannel audio serial ports (McASPs), two multichannel buffered serial ports (McBSPs), two inter-integrated circuit (I²C) buses, one dedicated general-purpose input/output (GPIO) module, two general-purpose timers, a host-port interface (HPI), and a glueless external memory interface (EMIF) capable of interfacing to SDRAM, SBSRAM, and asynchronous peripherals.

The two McASP interface modules each support one transmit and one receive clock zone. Each of the McASPs has eight serial data pins that can be individually allocated to any of the two zones. The serial port supports time-division multiplexing on each pin from 2 to 32 time slots. The C6713/13B has sufficient bandwidth to support all 16 serial data pins transmitting a 192-kHz stereo signal. Serial data in each zone may be transmitted and received on multiple serial data pins simultaneously and formatted in a multitude of variations on the Philips Inter-IC Sound (I²S) format.

In addition, the McASP transmitter may be programmed to output multiple S/PDIF, IEC60958, AES-3, and CP-430 encoded data channels simultaneously, with a single RAM containing the full implementation of user data and channel status fields.

The McASP also provides extensive error-checking and recovery features, such as the bad clock detection circuit for each high-frequency master clock, which verifies that the master clock is within a programmed frequency range.

The two I²C ports on the 320C6713/13B allow the DSP to easily control peripheral devices and communicate with a host processor. In addition, the standard multichannel buffered serial port (McBSP) may be used to communicate with serial peripheral interface (SPI[™]) mode peripheral devices.

The 320C6713/13B device has two boot modes—from the HPI or from external asynchronous ROM. For more detailed information, see the Bootmode section of this data sheet.

The TMS320C67x DSP generation is supported by the TI eXpressDSP[™] set of industry benchmark development tools, including a highly optimizing C/C++ Compiler, the Code Composer Studio[™] Integrated Development Environment (IDE), JTAG-based emulation and real-time debugging, and the DSP/BIOS[™] kernel.

3.2 Device Characteristics

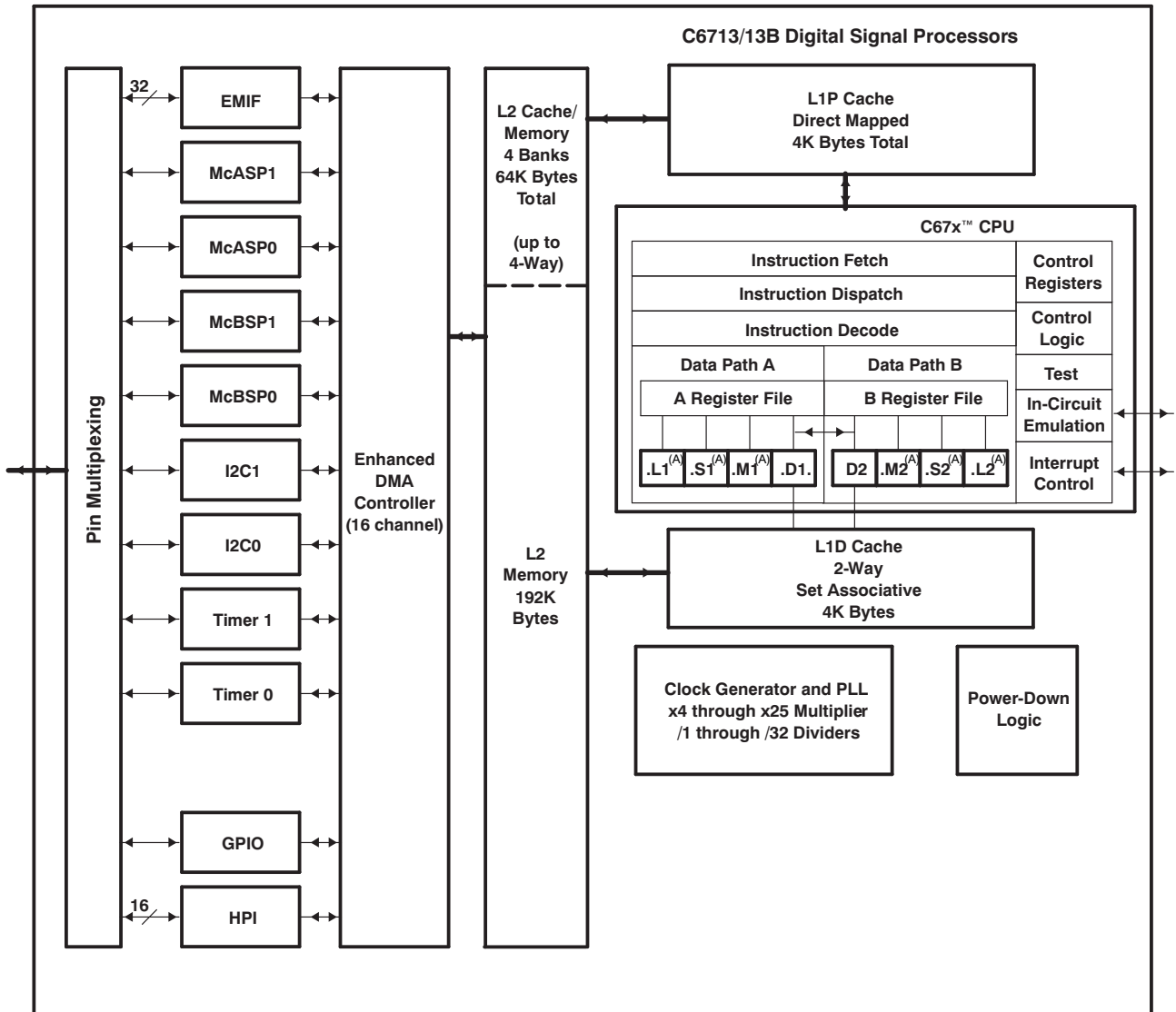
Table 3-2 provides an overview of the C6713/C6713B DSPs. The table shows significant features of each device, including the capacity of on-chip RAM, the peripherals, the execution time, and the package type with pin count. For more details on the C67x™ DSP device part numbers and part numbering, see Table 6-1 and Figure 6-1.

Table 3-2. Characteristics of the C6713 and C6713B Processor

HARDWARE FEATURES		INTERNAL CLOCK SOURCE	C6713/C6713B (FLOATING-POINT DSPs)
			GDP
Peripherals Not all peripheral pins are available at the same time. (For more details, see the Device Configurations section.) Peripheral performance is dependent on chip-level configuration.	EMIF	SYSCCLK3 or ECLKIN	1 (32 bit)
	EDMA (16 channels)	CPU clock frequency	1
	HPI (16 bit)	SYSCCLK2	1
	McASPs	AUXCLK, SYSCCLK2 ⁽¹⁾	2
	I ² Cs	SYSCCLK2	2
	McBSPs	SYSCCLK2	2
	32-bit timers	of SYSCCLK2	2
	GPIO module	SYSCCLK2	1
On-chip memory	Size (Bytes)		264K
	Organization		4K-Byte (KB) L1 program (L1P) cache 4KB L1 data (L1D) cache 64KB unified L2 cache/mapped RAM 192KB L2 mapped RAM
CPU ID+CPU Rev ID	Control Status Register (CSR[31:16])		0x0203
BSDL file	For the C6713/13B BSDL file, contact your field sales representative.		
Frequency	MHz		200
Time	ns		5 ns
Voltage	Core (V)		1.26 V (C6713/C6713B)
	I/O (V)		3.3 V
Clock generator options	Prescaler		/1, /2, /3, ..., /32
	Multiplier		x4, x5, x6, ..., x25
	Postscaler		/1, /2, /3, ..., /32
Package	27 mm x 27 mm		272-ball BGA (GDP)
Process technology	µm		0.13
Product status ⁽²⁾ Product preview (PP) Advance information (AI) Production data (PD)			PD (13)

- (1) AUXCLK is the McASP internal high-frequency clock source for serial transfers. SYSCCLK2 is the McASP system clock used for the clock check (high-frequency) circuit.
- (2) PRODUCT PREVIEW information concerns products in the formative or design phase of development. Characteristic data and other specifications are design goals. Texas Instruments reserves the right to change or discontinue these products without notice. ADVANCE INFORMATION concerns new products in the sampling or preproduction phase of development. Characteristic data and other specifications are subject to change without notice. PRODUCTION DATA information is current as of publication date. Products conform to specifications per the terms of Texas Instruments standard warranty. Production processing does not necessarily include testing of all parameters.

3.3 Functional Block and CPU (DSP Core) Diagram



NOTE A: In addition to fixed-point instructions, these functional units execute floating-point instructions.

EMIF interfaces to:
 -SDRAM
 -SBSRAM
 -SRAM
 -ROM/flash and I/O devices

McBSPs interface to:
 -SPI control port
 -High-speed TDM codecs
 -AC97 codecs
 -Serial EEPROM

McASPs interface to:
 -I²S multichannel ADC, DAC, codec, DIR
 -DIT: Multiple outputs

4 OVERVIEW

4.1 CPU (DSP Core) Description

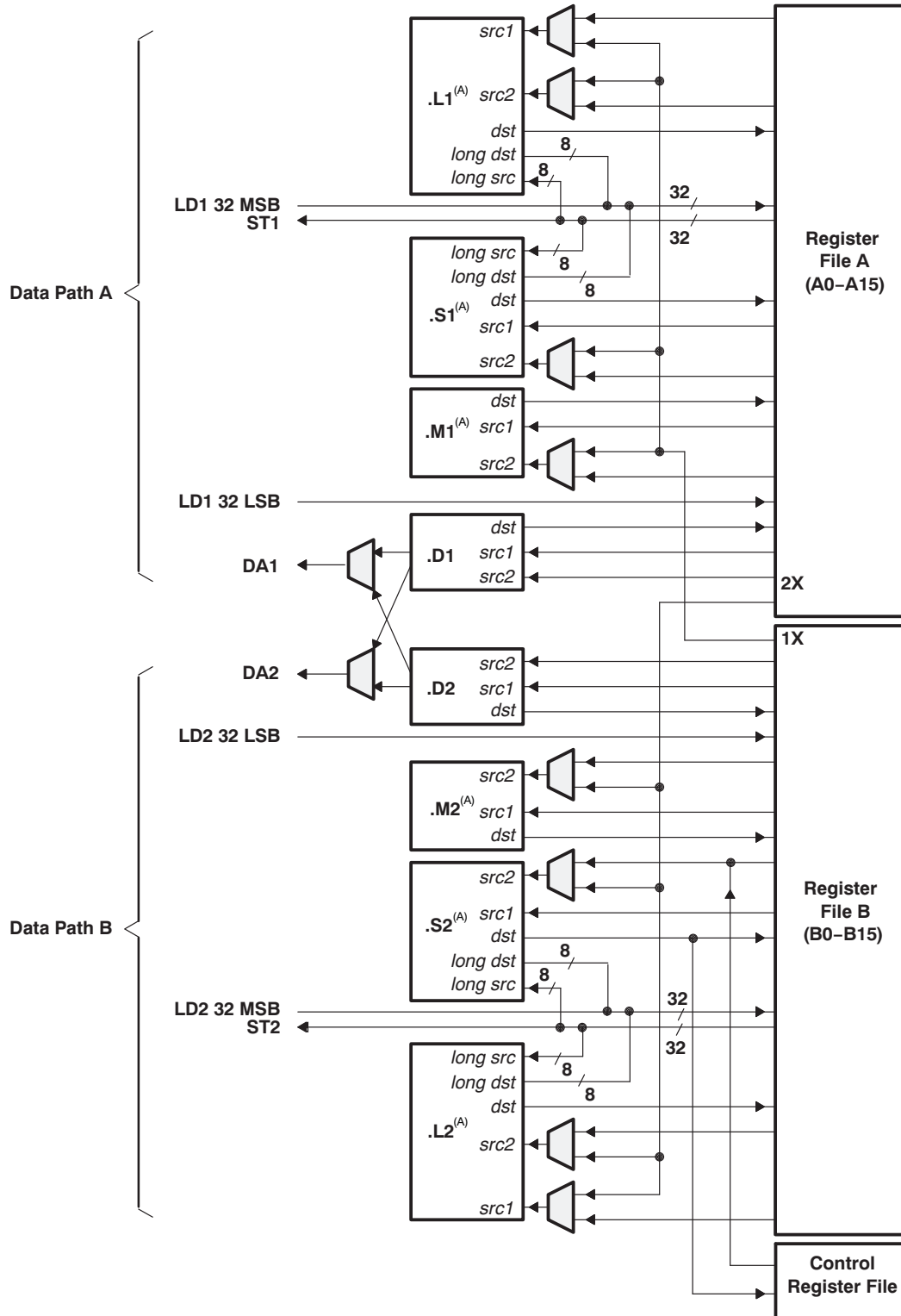
The 320C6713/13B floating-point digital signal processor is based on the C67x CPU. The CPU fetches advanced very-long instruction words (VLIW) (256 bits wide) to supply up to eight 32-bit instructions to the eight functional units during every clock cycle. The VLIW architecture features controls by which all eight units do not have to be supplied with instructions if they are not ready to execute. The first bit of every 32-bit instruction determines if the next instruction belongs to the same execute packet as the previous instruction, or whether it should be executed in the following clock as a part of the next execute packet. Fetch packets are always 256 bits wide; however, the execute packets can vary in size. The variable-length execute packets are a key memory-saving feature, distinguishing the C67x CPU from other VLIW architectures.

The CPU features two sets of functional units. Each set contains four units and a register file. One set contains functional units .L1, .S1, .M1, and .D1. The other set contains units .D2, .M2, .S2, and .L2. The two register files each contain 16 32-bit registers for a total of 32 general-purpose registers. The two sets of functional units, along with two register files, compose sides A and B of the CPU (see the [Functional Block and CPU \(DSP Core\) Diagram](#) and [Figure 4-1](#)). The four functional units on each side of the CPU can freely share the 16 registers belonging to that side. Additionally, each side features a single data bus connected to all the registers on the other side, by which the two sets of functional units can access data from the register files on the opposite side. While register access by functional units on the same side of the CPU as the register file can service all the units in a single clock cycle, register access using the register file across the CPU supports one read and one write per cycle.

The C67x CPU executes all C62x instructions. In addition to C62x fixed-point instructions, the six out of eight functional units (.L1, .S1, .M1, .M2, .S2, and .L2) also execute floating-point instructions. The remaining two functional units (.D1 and .D2) also execute the new LDDW instruction, which loads 64 bits per CPU side for a total of 128 bits per cycle.

Another key feature of the C67x CPU is the load/store architecture, where all instructions operate on registers (as opposed to data in memory). Two sets of data-addressing units (.D1 and .D2) are responsible for all data transfers between the register files and the memory. The data address driven by the .D units allows data addresses generated from one register file to be used to load or store data to or from the other register file. The C67x CPU supports a variety of indirect addressing modes using either linear- or circular-addressing modes with 5- or 15-bit offsets. All instructions are conditional, and most can access any one of the 32 registers. Some registers, however, are singled out to support specific addressing or to hold the condition for conditional instructions (if the condition is not automatically true). The two .M functional units are dedicated for multiplies. The two .S and .L functional units perform a general set of arithmetic, logical, and branch functions with results available every clock cycle.

The processing flow begins when a 256-bit-wide instruction fetch packet is fetched from a program memory. The 32-bit instructions destined for the individual functional units are chained together by 1 bits in the least significant bit (LSB) position of the instructions. The instructions that are chained together for simultaneous execution (up to eight in total) compose an execute packet. A 0 in the LSB of an instruction breaks the chain, effectively placing the instructions that follow it in the next execute packet. If an execute packet crosses the fetch-packet boundary (256 bits wide), the assembler places it in the next fetch packet, while the remainder of the current fetch packet is padded with NOP instructions. The number of execute packets within a fetch packet can vary from one to eight. Execute packets are dispatched to their respective functional units at the rate of one per clock cycle and the next 256-bit fetch packet is not fetched until all the execute packets from the current fetch packet have been dispatched. After decoding, the instructions simultaneously drive all active functional units for a maximum execution rate of eight instructions every clock cycle. While most results are stored in 32-bit registers, they can be subsequently moved to memory as bytes or half-words as well. All load and store instructions are byte, half-word, or word addressable.



A. In addition to fixed-point instructions, these functional units execute floating-point instructions.

Figure 4-1. 320C67x™ CPU (DSP Core) Data Paths

4.2 Memory Map Summary

Table 4-1 shows the memory map address ranges of the C6713/13B devices.

Table 4-1. 320C6713/13B Memory Map Summary

MEMORY BLOCK DESCRIPTION	BLOCK SIZE (BYTES)	HEX ADDRESS RANGE
Internal RAM (L2)	192K	0000 0000 0002 FFFF
Internal RAM/Cache	64K	0003 0000 0003 FFFF
Reserved	24M – 256K	0004 0000 017F FFFF
External Memory Interface (EMIF) Registers	256K	0180 0000 0183 FFFF
L2 Registers	128K	0184 0000 0185 FFFF
Reserved	128K	0186 0000 0187 FFFF
HPI Registers	256K	0188 0000 018B FFFF
McBSP 0 Registers	256K	018C 0000 018F FFFF
McBSP 1 Registers	256K	0190 0000 0193 FFFF
Timer 0 Registers	256K	0194 0000 0197 FFFF
Timer 1 Registers	256K	0198 0000 019B FFFF
Interrupt Selector Registers	512	019C 0000 019C 01FF
Device Configuration Registers	4	019C 0200 019C 0203
Reserved	256K – 516	019C 0204 019F FFFF
EDMA RAM and EDMA Registers	256K	01A0 0000 01A3 FFFF
Reserved	768K	01A4 0000 01AF FFFF
GPIO Registers	16K	01B0 0000 01B0 3FFF
Reserved	240K	01B0 4000 01B3 FFFF
I2C0 Registers	16K	01B4 0000 01B4 3FFF
I2C1 Registers	16K	01B4 4000 01B4 7FFF
Reserved	16K	01B4 8000 01B4 BFFF
McASP0 Registers	16K	01B4 C000 01B4 FFFF
McASP1 Registers	16K	01B5 0000 01B5 3FFF
Reserved	160K	01B5 4000 01B7 BFFF
PLL Registers	8K	01B7 C000 01B7 DFFF
Reserved	264K	01B7 E000 01BB FFFF
Emulation Registers	256K	01BC 0000 01BF FFFF
Reserved	4M	01C0 0000 01FF FFFF
QDMA Registers	52	0200 0000 0200 0033
Reserved	16M – 52	0200 0034 02FF FFFF
Reserved	720M	0300 0000 2FFF FFFF
McBSP0 Data Port	64M	3000 0000 33FF FFFF
McBSP1 Data Port	64M	3400 0000 37FF FFFF
Reserved	64M	3800 0000 3BFF FFFF
McASP0 Data Port	1M	3C00 0000 3C0F FFFF
McASP1 Data Port	1M	3C10 0000 3C1F FFFF
Reserved	1G + 62M	3C20 0000 7FFF FFFF
EMIF CE0 ⁽¹⁾	256M	8000 0000 8FFF FFFF
EMIF CE1 ⁽¹⁾	256M	9000 0000 9FFF FFFF
EMIF CE2 ⁽¹⁾	256M	A000 0000 AFFF FFFF
EMIF CE3 ⁽¹⁾	256M	B000 0000 BFFF FFFF
Reserved	1G	C000 0000 FFFF FFFF

(1) The number of EMIF address pins (EA[21:2]) limits the maximum addressable memory (SDRAM) to 128MB per CE space.

4.3 L2 Memory Structure Expanded

Figure 4-2 shows the detail of the L2 memory structure.

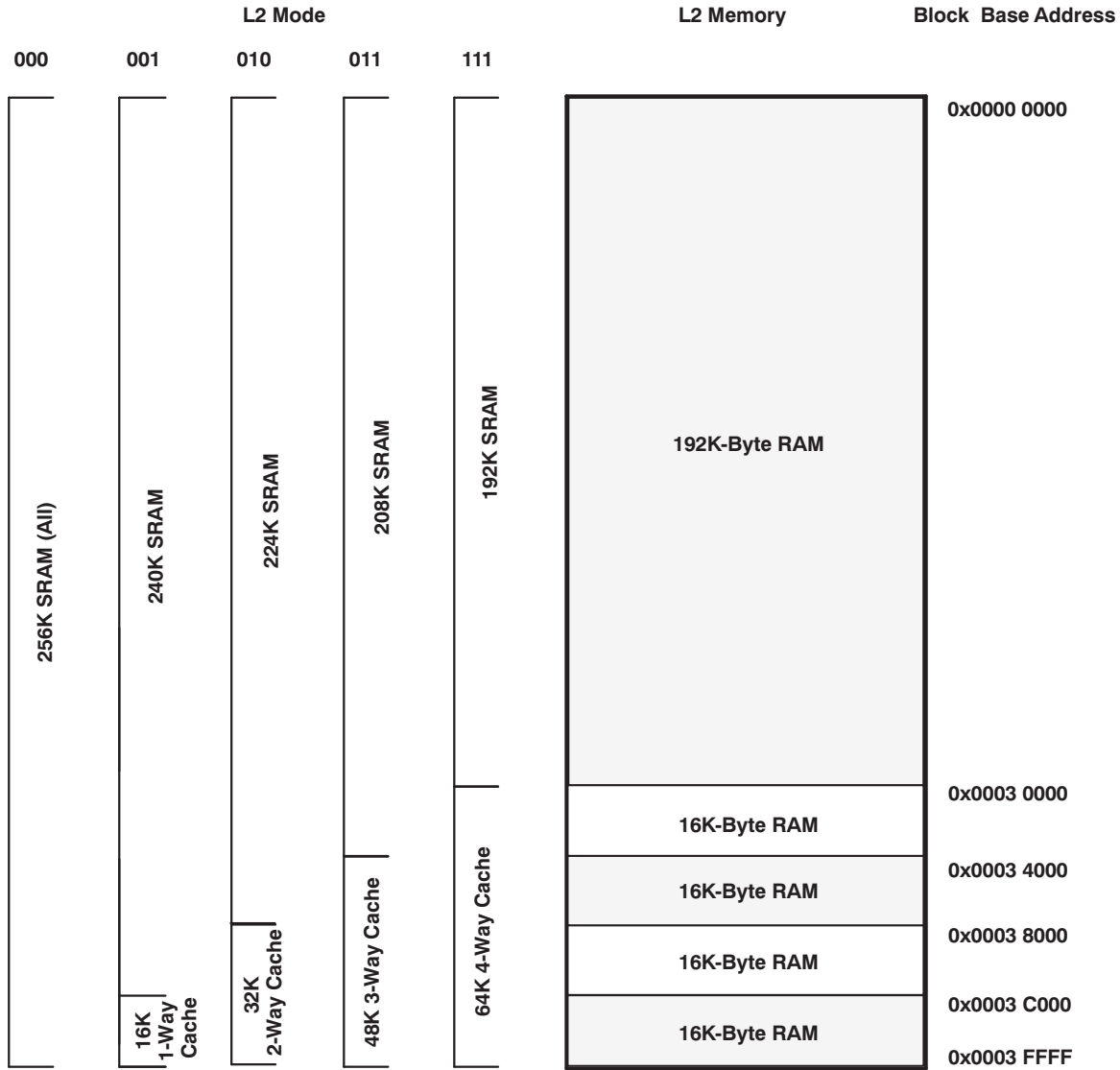


Figure 4-2. L2 Memory Configuration

4.4 Peripheral Register Descriptions

Table 4-2 through Table 4-15 identify the peripheral registers for the C6713/C6713B devices by their register names, acronyms, and hex address or hex address range. For more detailed information on the register contents and bit names and their respective descriptions, see the specific peripheral reference guide listed in the *TMS320C6000 DSP Peripherals Overview Reference Guide* ([literature number SPRU190](#)).

Table 4-2. EMIF Registers

HEX ADDRESS RANGE	ACRONYM	REGISTER NAME
0180 0000	GBLCTL	EMIF global control
0180 0004	CECTL1	EMIF CE1 space control
0180 0008	CECTL0	EMIF CE0 space control
0180 000C	—	Reserved
0180 0010	CECTL2	EMIF CE2 space control
0180 0014	CECTL3	EMIF CE3 space control
0180 0018	SDCTL	EMIF SDRAM control
0180 001C	SDTIM	EMIF SDRAM refresh control
0180 0020	SDEXT	EMIF SDRAM extension
0180 0024–0183 FFFF	—	Reserved

Table 4-3. L2 Cache Registers

HEX ADDRESS RANGE	ACRONYM	REGISTER NAME
0184 0000	CCFG	Cache configuration
0184 4000	L2WBAR	L2 writeback base address register
0184 4004	L2WWC	L2 writeback word count
0184 4010	L2WIBAR	L2 writeback-invalidate base address register
0184 4014	L2WIWC	L2 writeback-invalidate word count
0184 4020	L1PIBAR	L1P invalidate base address register
0184 4024	L1PIWC	L1P invalidate word count
0184 4030	L1DWIBAR	L1D writeback-invalidate base address register
0184 4034	L1DWIWC	L1D writeback-invalidate word count
0184 5000	L2WB	L2 writeback all
0184 5004	L2WBINV	L2 writeback-invalidate all
0184 8200	MAR0	Memory attribute register 0. Controls CE0 range 8000 0000 80FF FFFF
0184 8204	MAR1	Memory attribute register 1. Controls CE0 range 8100 0000 81FF FFFF
0184 8208	MAR2	Memory attribute register 2. Controls CE0 range 8200 0000 82FF FFFF
0184 820C	MAR3	Memory attribute register 3. Controls CE0 range 8300 0000 83FF FFFF
0184 8240	MAR4	Memory attribute register 4. Controls CE1 range 9000 0000 90FF FFFF
0184 8244	MAR5	Memory attribute register 5. Controls CE1 range 9100 0000 91FF FFFF
0184 8248	MAR6	Memory attribute register 6. Controls CE1 range 9200 0000 92FF FFFF
0184 824C	MAR7	Memory attribute register 7. Controls CE1 range 9300 0000 93FF FFFF
0184 8280	MAR8	Memory attribute register 8. Controls CE2 range A000 0000 A0FF FFFF
0184 8284	MAR9	Memory attribute register 9. Controls CE2 range A100 0000 A1FF FFFF
0184 8288	MAR10	Memory attribute register 10. Controls CE2 range A200 0000 A2FF FFFF
0184 828C	MAR11	Memory attribute register 11. Controls CE2 range A300 0000 A3FF FFFF
0184 82C0	MAR12	Memory attribute register 12. Controls CE3 range B000 0000 B0FF FFFF
0184 82C4	MAR13	Memory attribute register 13. Controls CE3 range B100 0000 B1FF FFFF
0184 82C8	MAR14	Memory attribute register 14. Controls CE3 range B200 0000 B2FF FFFF
0184 82CC	MAR15	Memory attribute register 15. Controls CE3 range B300 0000 B3FF FFFF
0184 82D0-0185 FFFF	—	Reserved

Table 4-4. Interrupt Selector Registers

HEX ADDRESS RANGE	ACRONYM	REGISTER NAME	COMMENTS
019C 0000	MUXH	Interrupt multiplexer high	Selects which interrupts drive CPU interrupts 10–15 (INT10–INT15)
019C 0004	MUXL	Interrupt multiplexer low	Selects which interrupts drive CPU interrupts 4–9 (INT04–INT09)
019C 0008	EXTPOL	External interrupt polarity	Sets the polarity of the external interrupts (EXT_INT4–EXT_INT7)
019C 000C-019F FFFF	—	Reserved	

Table 4-5. Device Registers

HEX ADDRESS RANGE	ACRONYM	REGISTER NAME	COMMENTS
019C 0200	DEVCFG	Device configuration	Allows the user to control peripheral selection. This register also offers the user control of the EMIF input clock source. For more detailed information on the device configuration register, see the Device Configurations section of this data sheet.
019C 0204-019F FFFF	—	Reserved	
N/A	CSR	CPU control status register	Identifies which CPU and defines the silicon revision of the CPU. This register also offers the user control of device operation. For more detailed information on the CPU Control Status Register, see the CPU CSR Register description section of this data sheet.

Table 4-6. EDMA Parameter RAM⁽¹⁾

HEX ADDRESS RANGE	ACRONYM	REGISTER NAME
01A0 0000 01A0 0017	—	Parameters for Event 0 (6 words) or Reload/Link parameters for other event
01A0 0018 01A0 002F	—	Parameters for Event 1 (6 words) or Reload/Link parameters for other event
01A0 0030 01A0 0047	—	Parameters for Event 2 (6 words) or Reload/Link parameters for other event
01A0 0048 01A0 005F	—	Parameters for Event 3 (6 words) or Reload/Link parameters for other event
01A0 0060 01A0 0077	—	Parameters for Event 4 (6 words) or Reload/Link parameters for other event
01A0 0078 01A0 008F	—	Parameters for Event 5 (6 words) or Reload/Link parameters for other event
01A0 0090 01A0 00A7	—	Parameters for Event 6 (6 words) or Reload/Link parameters for other event
01A0 00A8 01A0 00BF	—	Parameters for Event 7 (6 words) or Reload/Link parameters for other event
01A0 00C0 01A0 00D7	—	Parameters for Event 8 (6 words) or Reload/Link parameters for other event
01A0 00D8 01A0 00EF	—	Parameters for Event 9 (6 words) or Reload/Link parameters for other event
01A0 00F0 01A0 00107	—	Parameters for Event 10 (6 words) or Reload/Link parameters for other event
01A0 0108 01A0 011F	—	Parameters for Event 11 (6 words) or Reload/Link parameters for other event
01A0 0120 01A0 0137	—	Parameters for Event 12 (6 words) or Reload/Link parameters for other event
01A0 0138 01A0 014F	—	Parameters for Event 13 (6 words) or Reload/Link parameters for other event
01A0 0150 01A0 0167	—	Parameters for Event 14 (6 words) or Reload/Link parameters for other event
01A0 0168 01A0 017F	—	Parameters for Event 15 (6 words) or Reload/Link parameters for other event
01A0 0180 01A0 0197	—	Reload/link parameters for Event 0–15
01A0 0198 01A0 01AF	—	Reload/link parameters for Event 0–15
...
01A0 07E0 01A0 07F7	—	Reload/link parameters for Event 0–15
01A0 07F8 01A0 07FF	—	Scratch pad area (two words)

(1) The C6713/13B device has 85 EDMA parameters total: 16 Event/Reload parameters and 69 Reload-only parameters.

For more details on the EDMA parameter RAM six-word parameter entry structure, see [Figure 4-3](#).

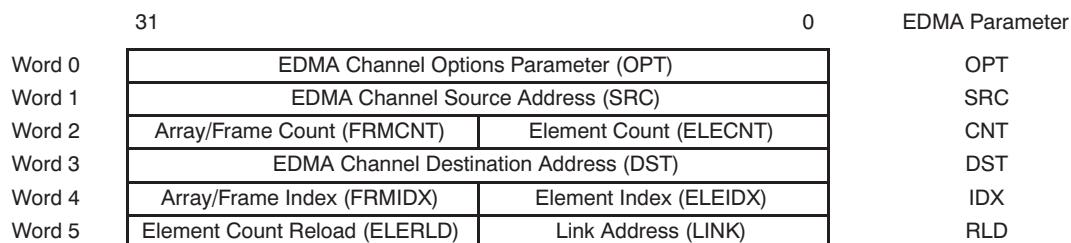


Figure 4-3. EDMA Channel Parameter Entries (Six Words) for Each EDMA Event

Table 4-7. EDMA Registers

HEX ADDRESS RANGE	ACRONYM	REGISTER NAME
01A0 0800-01A0 FEFC	—	Reserved
01A0 FF00	ESEL0	EDMA event selector 0
01A0 FF04	ESEL1	EDMA event selector 1
01A0 FF08-01A0 FF0B	—	Reserved
01A0 FF0C	ESEL3	EDMA event selector 3
01A0 FF1F-01A0 FFDC	—	Reserved
01A0 FFE0	PQSR	Priority queue status register
01A0 FFE4	CIPR	Channel interrupt pending register
01A0 FFE8	CIER	Channel interrupt enable register
01A0 FFEC	CCER	Channel chain enable register
01A0 FFF0	ER	Event register
01A0 FFF4	EER	Event enable register
01A0 FFF8	ECR	Event clear register
01A0 FFFC	ESR	Event set register
01A1 0000-01A3 FFFF	—	Reserved

Table 4-8. Quick DMA (QDMA) and Pseudo Registers⁽¹⁾

HEX ADDRESS RANGE	ACRONYM	REGISTER NAME
0200 0000	QOPT	QDMA options parameter
0200 0004	QSRC	QDMA source address
0200 0008	QCNT	QDMA frame count
0200 000C	QDST	QDMA destination address
0200 0010	QIDX	QDMA index
0200 0014-0200 001C	—	Reserved
0200 0020	QSOPT	QDMA pseudo options
0200 0024	QSSRC	QDMA pseudo source address
0200 0028	QSCNT	QDMA pseudo frame count
0200 002C	QSDST	QDMA pseudo destination address
0200 0030	QSIDX	QDMA pseudo index

(1) All the QDMA and Pseudo registers are write accessible only.

Table 4-9. PLL Controller Registers

HEX ADDRESS RANGE	ACRONYM	REGISTER NAME
01B7 C000	PLLPID	Peripheral identification (C6713/13B value: 0x00010801 for PLL Controller)
01B7 C004-01B7 C0FF	—	Reserved
01B7 C100	PLLCSR	PLL control/status register
01B7 C104-01B7 C10F	—	Reserved
01B7 C110	PLLM	PLL multiplier control
01B7 C114	PLLDIV0	PLL controller divider 0
01B7 C118	PLLDIV1	PLL controller divider 1
01B7 C11C	PLLDIV2	PLL controller divider 2
01B7 C120	PLLDIV3	PLL controller divider 3

Table 4-9. PLL Controller Registers (continued)

HEX ADDRESS RANGE	ACRONYM	REGISTER NAME
01B7 C124	OSCDIV1	Oscillator divider 1
01B7 C128–01B7 DFFF	—	Reserved

Table 4-10. McASP0 and McASP1 Registers

HEX ADDRESS RANGE		ACRONYM	REGISTER NAME AND DESCRIPTION
McASP0	McASP1		
3C00 0000–3C00 FFFF	3C10 0000–3C10 FFFF	RBUF/XBUFx	McASPx receive buffer or McASPx transmit buffer via the peripheral data bus. Used when RSEL or XSEL bits = 0 (these bits are located in the RFMT or XFMT registers, respectively).
01B4 C000	01B5 0000	MCASPPIDx	Peripheral identification [13/13B value: 0x00100101 for McASP0 and for McASP1]
01B4 C004	01B5 0004	PWRDEMUx	Power down and emulation management
01B4 C008	01B5 0008	—	Reserved
01B4 C00C	01B5 000C	—	Reserved
01B4 C010	01B5 0010	PFUNCx	Pin function
01B4 C014	01B5 0014	PDIRx	Pin direction
01B4 C018	01B5 0018	PDOUTx	Pin data out
01B4 C01C	01B5 001C	PDIN/PDSETx	Pin data in/data set Read returns: PDIN Writes affect: PDSET
01B4 C020	01B5 0020	PDCLR x	Pin data clear
01B4 C024–01B4 C040	01B5 0024–01B5 0040	—	Reserved
01B4 C044	01B5 0044	GBLCTLx	Global control
01B4 C048	01B5 0048	AMUTE x	Mute control
01B4 C04C	01B5 004C	DLBCTLx	Digital loopback control
01B4 C050	01B5 0050	DITCTLx	DIT mode control
01B4 C054–01B4 C05C	01B5 0054–01B5 005C	—	Reserved
01B4 C060	01B5 0060	RGBLCTLx	Alias of GBLCTL containing only Receiver Reset bits; allows transmit to be reset independently from receive
01B4 C064	01B5 0064	RMASKx	Receiver format unit bit mask
01B4 C068	01B5 0068	RFMTx	Receive bit stream format
01B4 C06C	01B5 006C	AFSRCTLx	Receive frame sync control
01B4 C070	01B5 0070	ACLKRCCTLx	Receive clock control
01B4 C074	01B5 0074	AHCLKRCCTLx	High-frequency receive clock control
01B4 C078	01B5 0078	RTDMx	Receive TDM slot 0–31
01B4 C07C	01B5 007C	RINTCTLx	Receiver interrupt control
01B4 C080	01B5 0080	RSTATx	Status – receiver
01B4 C084	01B5 0084	RSLOTx	Current receive TDM slot
01B4 C088	01B5 0088	RCLKCHKx	Receiver clock check control
01B4 C08C–01B4 C09C	01B5 008C–01B5 009C	—	Reserved
01B4 C0A0	01B5 00A0	XGBLCTLx	Alias of GBLCTL containing only Transmitter Reset bits; allows transmit to be reset independently from receive
01B4 C0A4	01B5 00A4	XMASKx	Transmit format unit bit mask
01B4 C0A8	01B5 00A8	XFMTx	Transmit bit stream format
01B4 C0AC	01B5 00AC	AFSXCTLx	Transmit frame sync control
01B4 C0B0	01B5 00B0	ACLKXCTLx	Transmit clock control
01B4 C0B4	01B5 00B4	AHCLKXCTLx	High-frequency Transmit clock control
01B4 C0B8	01B5 00B8	XTDMx	Transmit TDM slot 0–31
01B4 C0BC	01B5 00BC	XINTCTLx	Transmit interrupt control
01B4 C0C0	01B5 00C0	XSTATx	Status – transmitter
01B4 C0C4	01B5 00C4	XSLOTx	Current transmit TDM slot
01B4 C0C8	01B5 00C8	XCLKCHKx	Transmit clock check control

Table 4-10. McASP0 and McASP1 Registers (continued)

HEX ADDRESS RANGE		ACRONYM	REGISTER NAME AND DESCRIPTION
McASP0	McASP1		
01B4 C0D0–01B4 C0FC	01B5 00CC–01B5 00FC	—	Reserved
01B4 C100	01B5 0100	DITCSRA0x	Left (even TDM slot) channel status register file
01B4 C104	01B5 0104	DITCSRA1x	Left (even TDM slot) channel status register file
01B4 C108	01B5 0108	DITCSRA2x	Left (even TDM slot) channel status register file
01B4 C10C	01B5 0108	DITCSRA3x	Left (even TDM slot) channel status register file
01B4 C110	01B5 0110	DITCSRA4x	Left (even TDM slot) channel status register file
01B4 C114	01B5 0114	DITCSRA5x	Left (even TDM slot) channel status register file
01B4 C118	01B5 0118	DITCSRB0x	Right (odd TDM slot) channel status register file
01B4 C11C	01B5 011C	DITCSRB1x	Right (odd TDM slot) channel status register file
01B4 C120	01B5 0120	DITCSRB2x	Right (odd TDM slot) channel status register file
01B4 C124	01B5 0124	DITCSRB3x	Right (odd TDM slot) channel status register file
01B4 C128	01B5 0128	DITCSRB4x	Right (odd TDM slot) channel status register file
01B4 C12C	01B5 012C	DITCSRB5x	Right (odd TDM slot) channel status register file
01B4 C130	01B5 0130	DITUDRA0x	Left (even TDM slot) user data register file
01B4 C134	01B5 0134	DITUDRA1x	Left (even TDM slot) user data register file
01B4 C138	01B5 0138	DITUDRA2x	Left (even TDM slot) user data register file
01B4 C13C	01B5 013C	DITUDRA3x	Left (even TDM slot) user data register file
01B4 C140	01B5 0140	DITUDRA4x	Left (even TDM slot) user data register file
01B4 C144	01B5 0144	DITUDRA5x	Left (even TDM slot) user data register file
01B4 C148	01B5 0148	DITUDRB0x	Right (odd TDM slot) user data register file
01B4 C14C	01B5 014C	DITUDRB1x	Right (odd TDM slot) user data register file
01B4 C150	01B5 0150	DITUDRB2x	Right (odd TDM slot) user data register file
01B4 C154	01B5 0154	DITUDRB3x	Right (odd TDM slot) user data register file
01B4 C158	01B5 0158	DITUDRB4x	Right (odd TDM slot) user data register file
01B4 C15C	01B5 015C	DITUDRB5x	Right (odd TDM slot) user data register file
01B4 C160–01B4 C17C	01B5 0160–01B5 017C	—	Reserved
01B4 C180	01B5 0180	SRCTL0x	Serializer 0 control
01B4 C184	01B5 0184	SRCTL1x	Serializer 1 control
01B4 C188	01B5 0188	SRCTL2x	Serializer 2 control
01B4 C18C	01B5 018C	SRCTL3x	Serializer 3 control
01B4 C190	01B5 0190	SRCTL4x	Serializer 4 control
01B4 C194	01B5 0194	SRCTL5x	Serializer 5 control
01B4 C198	01B5 0198	SRCTL6x	Serializer 6 control
01B4 C19C	01B5 019C	SRCTL7x	Serializer 7 control
01B4 C1A0–01B4 C1FC	01B5 01A0–01B5 01FC	—	Reserved
01B4 C200	01B5 0200	XBUF0x	Transmit buffer for serializer 0 through configuration bus ⁽¹⁾
01B4 C204	01B5 0204	XBUF1x	Transmit buffer for serializer 1 through configuration bus ⁽¹⁾
01B4 C208	01B5 0208	XBUF2x	Transmit buffer for serializer 2 through configuration bus ⁽¹⁾
01B4 C20C	01B5 020C	XBUF3x	Transmit buffer for serializer 3 through configuration bus ⁽¹⁾
01B4 C210	01B5 0210	XBUF4x	Transmit buffer for serializer 4 through configuration bus ⁽¹⁾
01B4 C214	01B5 0214	XBUF5x	Transmit buffer for serializer 5 through configuration bus ⁽¹⁾
01B4 C218	01B5 0218	XBUF6x	Transmit buffer for serializer 6 through configuration bus ⁽¹⁾
01B4 C21C	01B5 021C	XBUF7x	Transmit buffer for serializer 7 through configuration bus ⁽¹⁾
01B4 C220–01B4 C27C	01B5 C220–01B5 027C	—	Reserved
01B4 C280	01B5 0280	RBUF0x	Receive buffer for serializer 0 through configuration bus ⁽²⁾
01B4 C284	01B5 0284	RBUF1x	Receive buffer for serializer 1 through configuration bus ⁽²⁾
01B4 C288	01B5 0288	RBUF2x	Receive buffer for serializer 2 through configuration bus ⁽²⁾
01B4 C28C	01B5 028C	RBUF3x	Receive buffer for serializer 3 through configuration bus ⁽²⁾

(1) The transmit buffers for serializers 0–7 are accessible to the CPU via the peripheral bus if the XSEL bit = 1 (XFMT register).

(2) The receive buffers for serializers 0–7 are accessible to the CPU via the peripheral bus if the RSEL bit = 1 (RFMT register).

Table 4-10. McASP0 and McASP1 Registers (continued)

HEX ADDRESS RANGE		ACRONYM	REGISTER NAME AND DESCRIPTION
McASP0	McASP1		
01B4 C290	01B5 0290	RBUF4x	Receive buffer for serializer 4 through configuration bus ⁽²⁾
01B4 C294	01B5 0294	RBUF5x	Receive buffer for serializer 5 through configuration bus ⁽²⁾
01B4 C298	01B5 0298	RBUF6x	Receive buffer for serializer 6 through configuration bus ⁽²⁾
01B4 C29C	01B5 029C	RBUF7x	Receive buffer for serializer 7 through configuration bus ⁽²⁾
01B4 C2A0–01B4 FFFF	01B5 02A0–01B5 3FFF	—	Reserved

Table 4-11. I2C0 and I2C1 Registers

HEX ADDRESS RANGE		ACRONYM	REGISTER NAME AND DESCRIPTION
I2C0	I2C1		
01B4 0000	01B4 4000	I2COARx	I2Cx own address register
01B4 0004	01B4 4004	I2CIERx	I2Cx interrupt enable register
01B4 0008	01B4 4008	I2CSTRx	I2Cx interrupt status register
01B4 000C	01B4 400C	I2CCLKLx	I2Cx clock low-time divider
01B4 0010	01B4 4010	I2CCLKHx	I2Cx clock high-time divider
01B4 0014	01B4 4014	I2CCNTx	I2Cx data count
01B4 0018	01B4 4018	I2CDRRx	I2Cx data receive register
01B4 001C	01B4 401C	I2CSARx	I2Cx slave address register
01B4 0020	01B4 4020	I2CDXRx	I2Cx data transmit register
01B4 0024	01B4 4024	I2CMDRx	I2Cx mode register
01B4 0028	01B4 4028	I2CISRCx	I2Cx interrupt source
01B4 002C	01B4 402C	—	Reserved
01B4 0030	01B4 4030	I2CPSCx	I2Cx prescaler
01B4 0034	01B4 4034	I2CPID10 I2CPID11	I2Cx peripheral identification 1 (C6713/13B value: 0x0000 0103)
01B4 0038	01B4 4038	I2CPID20 I2CPID21	I2Cx peripheral identification 2 (C6713/13B value: 0x0000 0005)
01B4 003C–01B4 3FFF	01B4 403C–01B4 7FFF	—	Reserved

Table 4-12. HPI Registers

HEX ADDRESS RANGE	ACRONYM	REGISTER NAME	COMMENTS
—	HPID	HPI data register	Host read/write access only
—	HPIA	HPI address register	Host read/write access only
0188 0000	HPIC	HPI control register	Both Host/CPU read/write access
0188 0004–018B FFFF	—	Reserved	

Table 4-13. Timer 0 and Timer 1 Registers

HEX ADDRESS RANGE		ACRONYM	REGISTER NAME	COMMENTS
TIMER 0	TIMER 1			
0194 0000	0198 0000	CTLx	Timer x control register	Determines the operating mode of the timer, monitors the timer status, and controls the function of the TOUT pin.
0194 0004	0198 0004	PRDx	Timer x period register	Contains the number of timer input clock cycles to count. This number controls the TSTAT signal frequency.
0194 0008	0198 0008	CNTx	Timer x counter register	Contains the current value of the incrementing counter.
0194 000C–0197 FFFF	0198 000C–019B FFFF	—	Reserved	

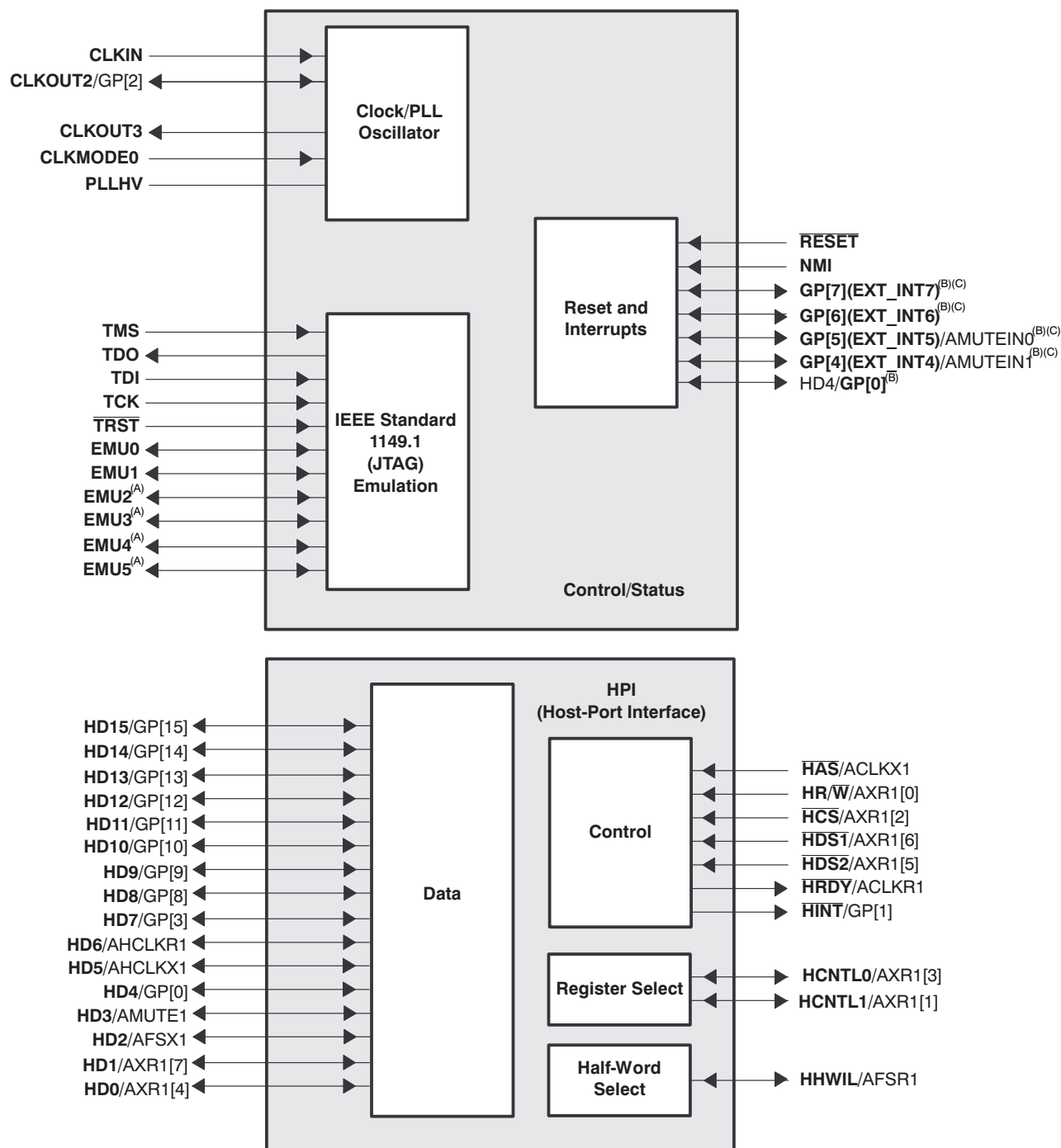
Table 4-14. McBSP0 and McBSP1 Registers

HEX ADDRESS RANGE		ACRONYM	REGISTER NAME AND DESCRIPTION
McBSP0	McBSP1		
018C 0000	0190 0000	DRRx	McBSPx data receive register via configuration bus. The CPU and EDMA controller can only read this register; they cannot write to it.
3000 0000–33FF FFFF	3400 0000–37FF FFFF	DRRx	McBSPx data receive register via peripheral data bus
018C 0004	0190 0004	DXRx	McBSPx data transmit register via configuration bus
3000 0000–33FF FFFF	3400 0000–37FF FFFF	DXRx	McBSPx data transmit register via peripheral data bus
018C 0008	0190 0008	SPCRx	McBSPx serial port control register
018C 000C	0190 000C	RCRx	McBSPx receive control register
018C 0010	0190 0010	XCRx	McBSPx transmit control register
018C 0014	0190 0014	SRGRx	McBSPx sample rate generator register
018C 0018	0190 0018	MCRx	McBSPx multichannel control register
018C 001C	0190 001C	RCERx	McBSPx receive channel enable register
018C 0020	0190 0020	XCERx	McBSPx transmit channel enable register
018C 0024	0190 0024	PCRx	McBSPx pin control register
018C 0028–018F FFFF	0190 0028–0193 FFFF	—	Reserved

Table 4-15. GPIO Registers

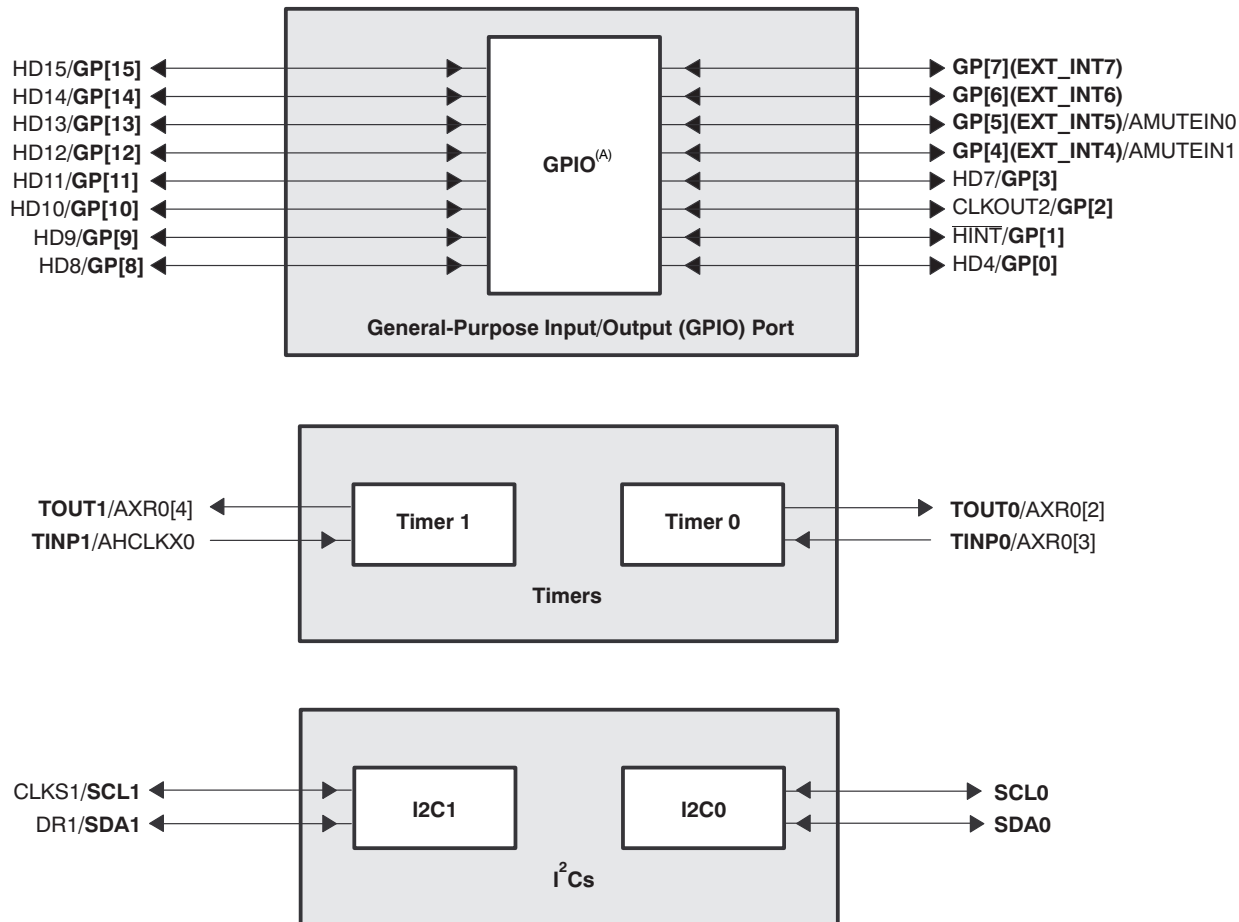
HEX ADDRESS RANGE	ACRONYM	REGISTER NAME
01B0 0000	GPEN	GPIO enable
01B0 0004	GPDIR	GPIO direction
01B0 0008	GPVAL	GPIO value
01B0 000C	—	Reserved
01B0 0010	GPDH	GPIO delta high
01B0 0014	GPHM	GPIO high mask
01B0 0018	GPDL	GPIO delta low
01B0 001C	GPLM	GPIO low mask
01B0 0020	GPGC	GPIO global control
01B0 0024	GPPOL	GPIO interrupt polarity
01B0 0028–01B0 3FFF	—	Reserved

4.5 Signal Groups Description



- These external pins are applicable to the GDP package only.
- The GP[15:0] pins, through interrupt sharing, are external interrupt capable via GPINT0. For more details, see the external interrupt sources section of this data sheet. For more details on interrupt sharing, see the *TMS320C6000 DSP Interrupt Selector Reference Guide* (literature number [SPRU646](#)).
- All of these pins are external interrupt sources. For more details see the *External Interrupt Sources* section of this data sheet.
- On multiplexed pins, boldface text denotes the active function of the pin for that particular peripheral module.

Figure 4-4. CPU (DSP Core) and Peripheral Signals



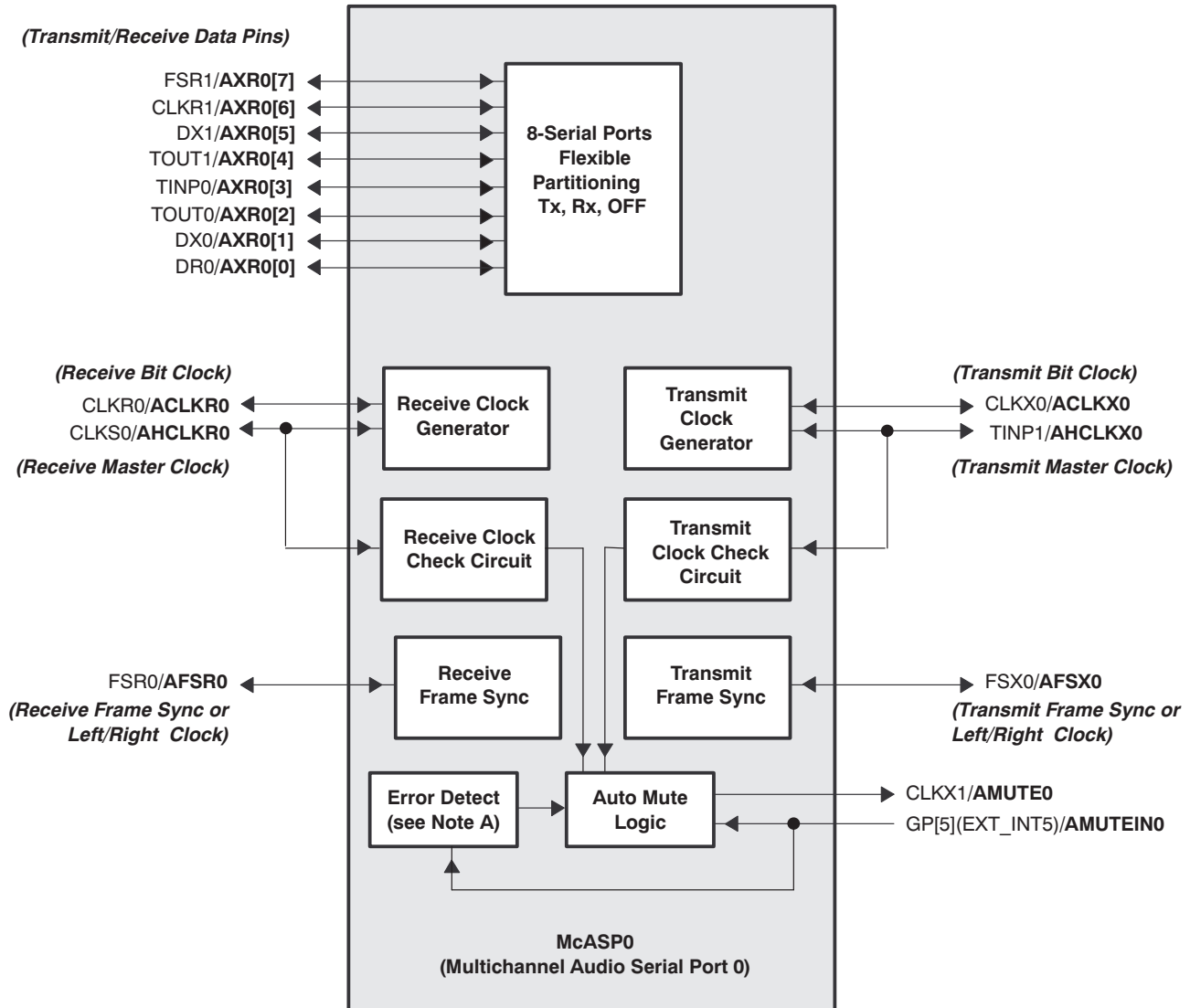
- A. The GP[15:0] pins, through interrupt sharing, are external interrupt capable via GPINT0. GP[15:0] are also external EDMA event source capable. For more details, see the *External Interrupt Sources* and *External EDMA Event Sources* sections of this data sheet.
- B. On multiplexed pins, boldface text denotes the active function of the pin for that particular peripheral module.

Figure 4-5. Peripheral Signals



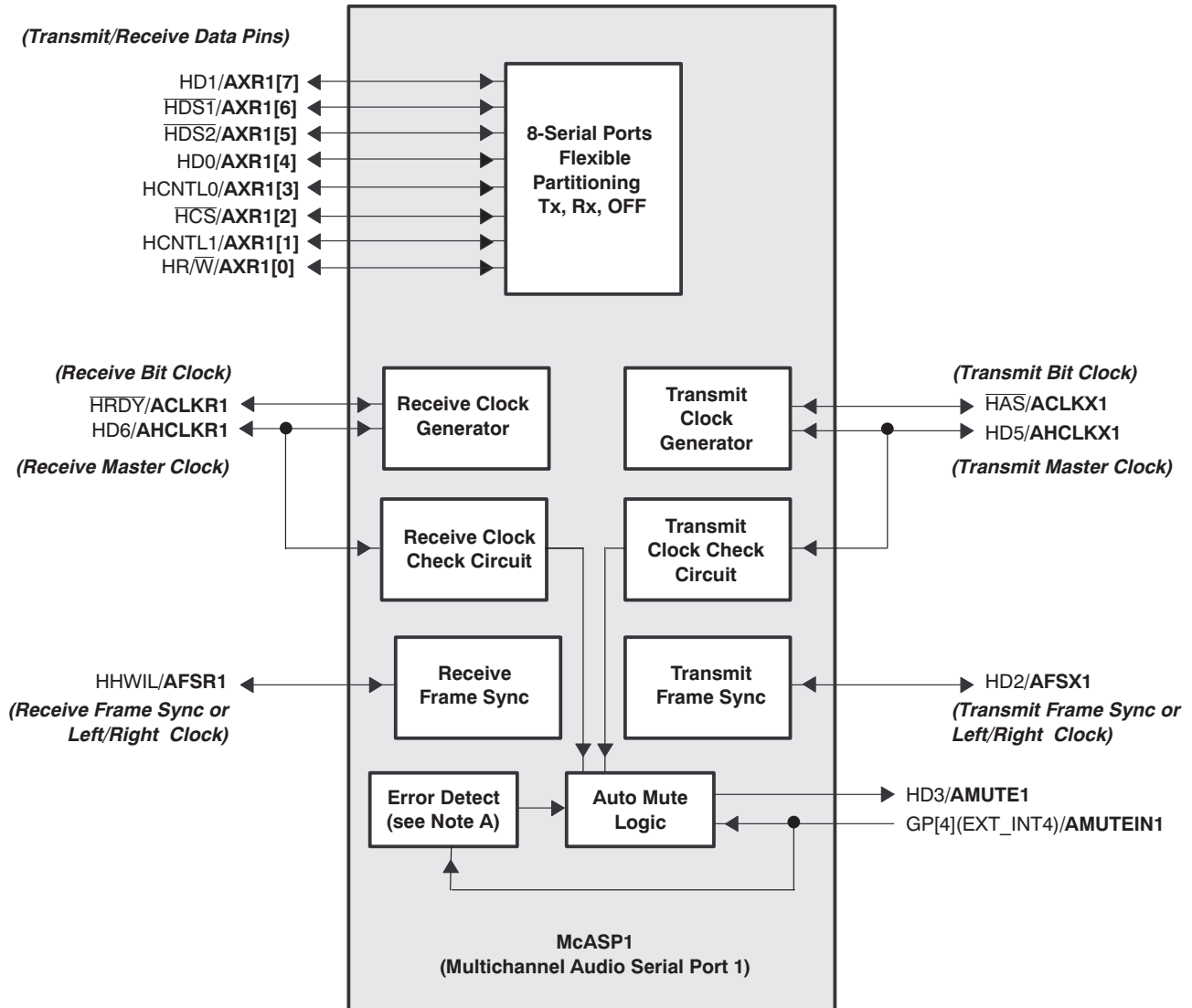
- A. These external pins are applicable to the GDP package only.
B. On multiplexed pins, boldface text denotes the active function of the pin for that particular peripheral module.

Figure 4-6. Peripheral Signals



- A. The McASP Error Detect function detects underruns, overruns, early/late frame syncs, DMA errors, and external mute input.
- B. On multiplexed pins, boldface text denotes the active function of the pin for that particular peripheral module.
- C. Boldface and italicized text within parentheses denotes the function of the pins in an audio system.

Figure 4-7. Peripheral Signals



- A. The McASP Error Detect function detects underruns, overruns, early/late frame syncs, DMA errors, and external mute input.
- B. On multiplexed pins, boldface text denotes the active function of the pin for that particular peripheral module.
- C. Boldface and italicized text within parentheses denotes the function of the pins in an audio system.

Figure 4-8. Peripheral Signals

5 DEVICE CONFIGURATIONS

On the C6713/13B devices, bootmode and certain device configurations/peripheral selections are determined at device reset, while other device configurations/peripheral selections are software-configurable via the device configurations register (DEVCFG) [address location 0x019C0200] after device reset.

5.1 Device Configurations at Device Reset

Table 5-1 describes the C6713 and C6713B device configuration pins, which are set up via internal or external pullup/pulldown resistors through the HPI data pins (HD[4:3], HD8, HD12 [13B only]), and CLKMODE0 pin. These configuration pins must be in the desired state until reset is released. For proper device operation, do not oppose the HD [13, 11:9, 7, 1, 0] pins with external pullups/pulldowns at reset. For more details on these device configuration pins, see the [Terminal Functions](#) table and the [Debugging Considerations](#) section of this data sheet.

Table 5-1. Device Configurations Pins at Device Reset (HD[4:3], HD8, HD12 [13B only], and CLKMODE0)⁽¹⁾

CONFIGURATION PIN	GDP	FUNCTIONAL DESCRIPTION
HD12 ⁽²⁾	C15	<p>EMIF Big Endian mode correctness ($\overline{\text{EMIFBE}}$) [C6713B only] For a C6713BGDP:</p> <ul style="list-style-type: none"> 0 – The EMIF data will always be presented on the ED[7:0] side of the bus, regardless of the endianness mode (Little/Big Endian). 1 – In Little Endian mode (HD8 = 1), the 8-bit or 16-bit EMIF data will be present on the ED[7:0] side of the bus. In Big Endian mode (HD8 = 0), the 8-bit or 16-bit EMIF data will be present on the ED[31:24] side of the bus [default]. <p>For a C6713BPYP, when Big Endian mode is selected (LENDIAN = 0), for proper device operation the $\overline{\text{EMIFBE}}$ pin must be externally pulled low. This enhancement is not supported on the C6713 device. For proper C6713 device operation, do not oppose the internal pullup (IPU) resistor on this pin. This new functionality does not affect systems using the current default value of HD12 = 1. For more detailed information on the big endian mode correctness, see the EMIF Big Endian Mode Correctness [C6713B only] portion of this data sheet.</p>
HD8	B17	<p>Device Endian mode (LEND)</p> <ul style="list-style-type: none"> 0 – System operates in Big Endian mode 1 – System operates in Little Endian mode (default)
HD[4:3] (BOOTMODE) ⁽²⁾	C19, C20	<p>Bootmode Configuration pins (BOOTMODE)</p> <ul style="list-style-type: none"> 00 – HPI boot/Emulation boot 01 – $\overline{\text{CE1}}$ width 8-bit, asynchronous external ROM boot with default timings (default mode) 10 – $\overline{\text{CE1}}$ width 16-bit, asynchronous external ROM boot with default timings 11 – $\overline{\text{CE1}}$ width 32-bit, asynchronous external ROM boot with default timings <p>For more detailed information on these bootmode configurations, see the Bootmode section of this data sheet.</p>
CLKMODE0	C4	<p>Clock generator input clock source select</p> <ul style="list-style-type: none"> 0 – Reserved. Do not use. 1 – CLKIN square wave [default] <p>This pin must be pulled to the correct level even after reset.</p>

- (1) All other HD pins [HD [15, 13:9, 7:5, 2:0] (for 13) or HD [15, 13, 11:9, 7:5, 2:0] (for 13B)] have pullups/pulldowns (IPUs or IPDs). For proper device operation of the HD [15, 13:9, 7, 1, 0] (for 13) or HD [13, 11:9, 7, 1, 0] (for 13B), **do not** oppose these pins with external pullups/pulldowns at reset; however, the HD[6, 5, 2] (for 13) or HD[15, 6, 5, 2] (for 13B) pins can be opposed and driven during reset.
- (2) IPD = Internal pulldown, IPU = Internal pullup. To oppose the supply rail on these IPD/IPU signal pins, use external pullup or pulldown resistors no greater than 4.4 k Ω and 2.0 k Ω , respectively.

5.2 Peripheral Pin Selection at Device Reset

Some C6713/13B peripherals share the same pins (internally MUXed) and are mutually exclusive (that is, HPI, general-purpose input/output pins GP[15:8, 3, 1, 0], and McASP1).

- HPI, McASP1, and GPIO peripherals

The HPI_EN (HD14 pin) is latched at reset. This pin selects whether the HPI peripheral pins or McASP1 peripheral pins and GP[15:8, 3, 1, 0] pins are functionally enabled (see [Table 5-2](#)).

Table 5-2. HPI_EN (HD14 Pin) Peripheral Selection (HPI or McASP1, and Select GPIO Pins)⁽¹⁾

PERIPHERAL PIN SELECTION	PERIPHERAL PINS SELECTED		DESCRIPTION
	HPI	McASP1 and GP[15:8, 3, 1, 0]	
HPI_EN (HD14 Pin) [173, C14] 0		✓	HPI_EN = 0 HPI pins are disabled; McASP1 peripheral pins and GP[15:8, 3, 1, 0] pins are enabled. All multiplexed HPI/McASP1 and HPI/GPIO pins function as McASP1 and GPIO pins, respectively. To use the GPIO pins, the appropriate bits in the GPEN and GPDIR registers need to be configured.
1	✓		HPI_EN = 1 HPI pins are enabled; McASP1 peripheral pins and GP[15:8, 3, 1, 0] pins are disabled [default]. All multiplexed HPI/McASP1 and HPI/GPIO pins function as HPI pins.

(1) The HPI_EN (HD[14]) pin **cannot** be controlled via software.

5.3 Peripheral Selection/Device Configurations Via the DEVCFG Control Register

The device configuration register (DEVCFG) allows the user to control the pin availability of the McBSP0, McBSP1, McASP0, I2C1, and timer peripherals. The DEVCFG register also offers the user control of the EMIF input clock source and the timer output pins. For more detailed information on the DEVCFG register control bits, see [Table 5-3](#) and [Table 5-4](#).

Table 5-3. Device Configuration Register (DEVCFG) [Address Location: 0x019C0200–0x019C02FF]

31	Reserved ⁽¹⁾						16
R/W-0							
15	5	4	3	2	1	0	
Reserved ⁽¹⁾		EKSRC	TOUT1SEL	TOUT0SEL	MCBSP0DIS	MCBSP1DIS	
R/W-0		R/W-0	R/W-0	R/W-0	R/W-0	R/W-0	

LEGEND: R = Read, W = Write, --n = value at reset

(1) **Do not** write non-zero values to these bit locations.

Table 5-4. Device Configuration Register (DEVCFG) Selection Bit Descriptions

BIT NO.	NAME	DESCRIPTION
31:5	Reserved	Reserved. Do not write non-zero values to these bit locations.
4	EKSRC	EMIF input clock source bit. Determines which clock signal is used as the EMIF input clock. 0 = SYSCLK3 (from the clock generator) is the EMIF input clock source (default). 1 = ECLKIN external pin is the EMIF input clock source.
3	TOUT1SEL	Timer 1 output (TOUT1) pin function select bit. Selects the pin function of the TOUT1/AXR0[4] external pin independent of the rest of the peripheral selection bits in the DEVCFG register. 0 = The pin functions as a Timer 1 output (TOUT1) pin (default). 1 = The pin functions as the McASP0 transmit/receive data pin 4 (AXR0[4]). The Timer 1 module is still active.
2	TOUT0SEL	Timer 0 output (TOUT0) pin function select bit. Selects the pin function of the TOUT0/AXR0[2] external pin independent of the rest of the peripheral selection bits in the DEVCFG register. 0 = The pin functions as a Timer 0 output (TOUT0) pin (default). 1 = The pin functions as the McASP0 transmit/receive data pin 2 (AXR0[2]). The Timer 0 module is still active.
1	MCBSP0DIS	Multichannel Buffered Serial Port 0 (McBSP0) disable bit. Selects whether McBSP0 or the McASP0 multiplexed peripheral pins are enabled or disabled. 0 = McBSP0 peripheral pins are enabled, McASP0 peripheral pins (AHCLKR0, ACLKR0, ACLKX0, AXR0[0], AXR0[1], AFSR0, and AFSX0) are disabled (default). If the McASP0 data pins are available, the McASP0 peripheral is functional for DIT mode only. 1 = McBSP0 peripheral pins are disabled, McASP0 peripheral pins (AHCLKR0, ACLKR0, ACLKX0, AXR0[0], AXR0[1], AFSR0, and AFSX0) are enabled.
0	MCBSP1DIS	Multichannel Buffered Serial Port 1 (McBSP1) disable bit. Selects whether McBSP1 or I2C1 and McASP0 multiplexed peripheral pins are enabled or disabled. 0 = McBSP1 peripheral pins are enabled, I2C1 peripheral pins (SCL1 and SDA1) and McASP0 peripheral pins (AXR0[7:5] and AMUTE0) are disabled (default) 1 = McBSP1 peripheral pins are disabled, I2C1 peripheral pins (SCL1 and SDA1) and McASP0 peripheral pins (AXR0[7:5] and AMUTE0) are enabled.

5.4 Multiplexed Pins

Multiplexed (MUXed) pins are pins that are shared by more than one peripheral and are internally multiplexed. Most of these pins are configured by software via the device configuration register (DEVCFG), and the others (specifically, the HPI pins) are configured by external pullup/pulldown resistors only at reset. The MUXed pins that are configured by software can be programmed to switch functionalities at any time. The MUXed pins that are configured by external pullup/pulldown resistors are mutually exclusive; only one peripheral has primary control of the function of these pins after reset. [Table 5-5](#) summarizes the peripheral pins affected by the HPI_EN (HD14 pin) and DEVCFG register. [Table 5-6](#) identifies the multiplexed pins on the C6713/13B devices, shows the default (primary) function and the default settings after reset, and describes the pins, registers, etc., necessary to configure the specific multiplexed functions.

Table 5-5. Peripheral Pin Selection Matrix⁽¹⁾

SELECTION BITS		PERIPHERAL PIN AVAILABILITY										
BIT NAME	BIT VAL	MCASP0 ⁽²⁾	MCASP1	I ² C0	I ² C1	MCBSP0	MCBSP1	TIMER0	TIMER1	HPI	GPIO PINS	EMIF
HPI_EN (boot config pin)	0		AHCLKX1 AHCLKR1 ACLKX1 ACLKR1 AFSX1 AFSR1 AMUTE1 AXR1[0] to AXR1[7]							None	GP[0:1], GP[3], GP[8:15] Plus: GP[2] ctrl'd by GP2EN bit	
HPI_EN (boot config pin)	1		None							All	NO GP[0:1], GP[3], GP[8:15]	
MCBSP0DI S (DEVCFG bit)	0	None				All						
	1	ACLKX0 ACLKR0 AFSX0 AFSR0 AHCLKR0 AXR0[0] AXR0[1]				None						
MCBSP1DI S (DEVCFG bit)	0	NO AMUTE0 AXR0[5] AXR0[6] AXR0[7]			None		All					
	1	AMUTE0 AXR0[5] AXR0[6] AXR0[7]			All		None					
TOUT0SEL (DEVCFG bit)	0	NO AXR0[2]						TOUT0				
	1	AXR0[2]						NO TOUT0				
TOUT1SEL (DEVCFG bit)	0	NO AXR0[4]							TOUT1			
	1	AXR0[4]							NO TOUT1			
HD12 (boot config pin) [13BGDP] ⁽³⁾	0											ED[7:0]; HD8 = 1/0
	1											ED[7:0] side [HD8 = 1 (Little)] ED[31:24] side [HD8 = 0 (Big)]

- (1) Gray blocks indicate that the peripheral is not affected by the selection bit.
- (2) The McASP0 pins, AXR0[3] and AHCLKX0, are shared with the timer input pins, TINP0 and TINP1, respectively. See [Table 5-6](#) for more detailed information.
- (3) For more detailed information on endianness correction, see the [EMIF Big Endian Mode Correctness](#) [C6713B only] section of this data sheet.

Table 5-6. C6713/13B Device Multiplexed/Shared Pins

MULTIPLEXED PIN		DEFAULT FUNCTION	DEFAULT SETTING	DESCRIPTION
NAME	GDP			
CLKOUT2/GP[2]	Y12	CLKOUT2	GP2EN = 0 (GPEN register bit) GP[2] function disabled, CLKOUT2 enabled	When the CLKOUT2 pin is enabled, the CLK2EN bit in the EMIF global control register (GBLCTL) controls the CLKOUT2 pin. CLK2EN = 0: CLKOUT2 held high CLK2EN = 1: CLKOUT2 enabled to clock [default].

Table 5-6. C6713/13B Device Multiplexed/Shared Pins (continued)

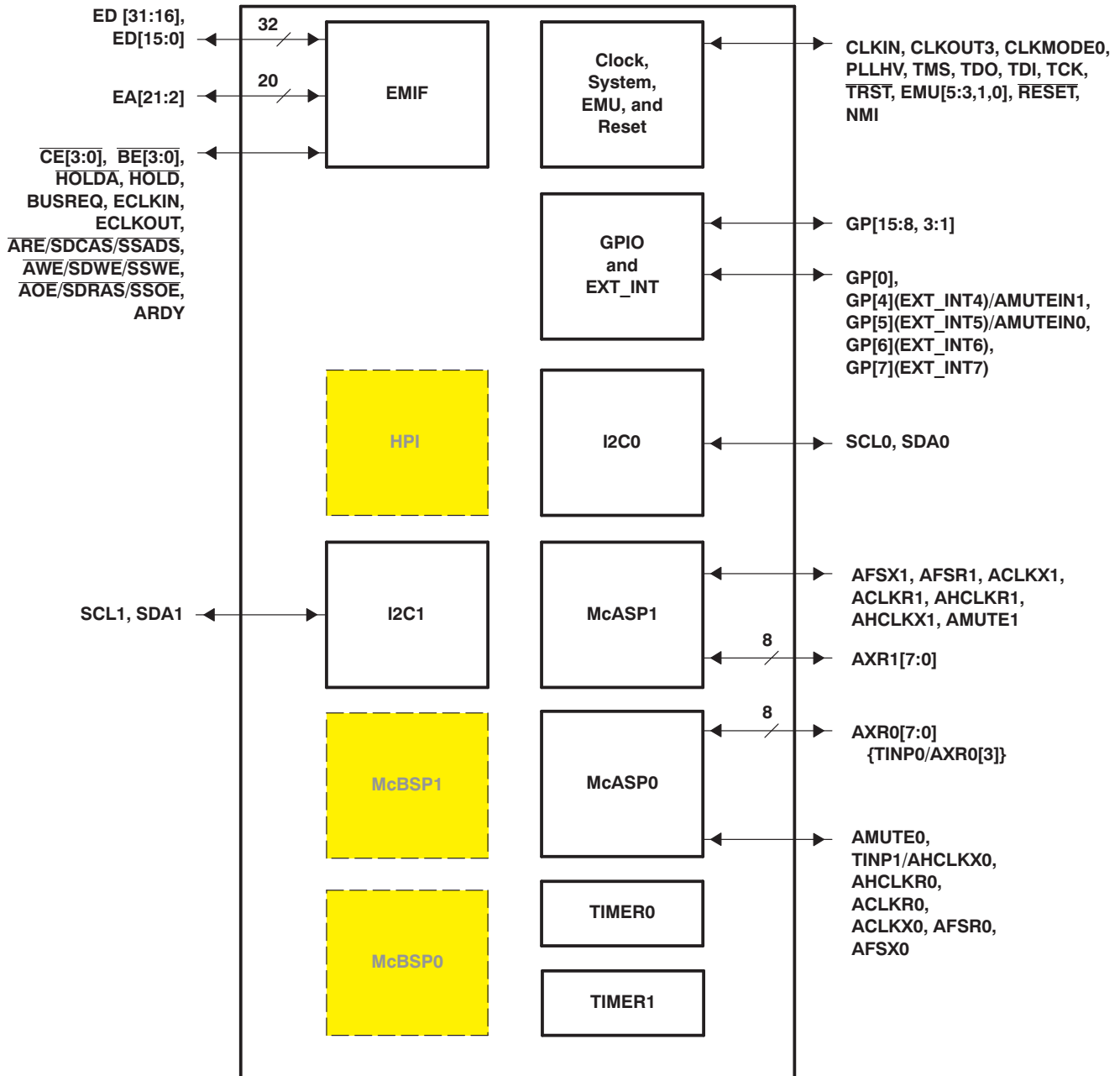
MULTIPLEXED PIN		DEFAULT FUNCTION	DEFAULT SETTING	DESCRIPTION
NAME	GDP			
GP[5](EXT_INT5)/AMUTEIN 0	C1	GP[5](EXT_INT5) GP[4](EXT_INT4)	No Function GPxDIR = 0 (input) GP5EN = 0 (disabled) GP4EN = 0 (disabled) [(GPEN register bits) GP[x] function disabled]	To use these software-configurable GPIO pins, the GPxEN bits in the GP Enable Register and the GPxDIR bits in the GP Direction Register must be properly configured. GPxEN = 1: GP[x] pin enabled. GPxDIR = 0: GP[x] pin is an input. GPxDIR = 1: GP[x] pin is an output. To use AMUTEIN0/1 pin function, the GP[5]/GP[4] pins must be configured as an input, the INEN bit set to 1, and the polarity through the INPOL bit selected in the associated McASP AMUTE register.
GP[4](EXT_INT4)/AMUTEIN 1	C2			
CLKS0/AHCLKR0	K3	McBSP0 pin function	MCBSP0DIS = 0 (DEVCFG register bit) McASP0 pins disabled, McBSP0 pins enabled	By default, McBSP0 peripheral pins are enabled upon reset (McASP0 pins are disabled). To enable the McASP0 peripheral pins, the MCBSP0DIS bit in the DEVCFG register must be set to 1 (disabling the McBSP0 peripheral pins).
DR0/AXR0[0]	J1			
DX0/AXR0[1]	H2			
FSR0/AFSR0	J3			
FSX0/AFSX0	H1			
CLKR0/ACLKR0	H3			
CLKX0/ACLKX0	G3			
CLKS1/SCL1	E1	McBSP1 pin function	MCBSP1DIS = 0 (DEVCFG register bit) I2C1 and McASP0 pins disabled, McBSP1 pins enabled	By default, McBSP1 peripheral pins are enabled upon reset (I2C1 and McASP0 pins are disabled). To enable the I2C1 and McASP0 peripheral pins, the MCBSP1DIS bit in the DEVCFG register must be set to 1 (disabling the McBSP1 peripheral pins).
DR1/SDA1	M2			
DX1/AXR0[5]	L2			
FSR1/AXR0[7]	M3			
CLKR1/AXR0[6]	M1			
CLKX1/AMUTE0	L3	HPI pin function	HPI_EN (HD14 pin) = 1 (HPI enabled) McASP1 pins and 11 GPIO pins are disabled.	By default, the HPI peripheral pins are enabled at reset. McASP1 peripheral pins and eleven GPIO pins are disabled. To enable the McASP1 peripheral pins and the eleven GPIO pins, an external pulldown resistor must be provided on the HD14 pin setting HPI_EN = 0 at reset. GP enable register and the GPxDIR bits in the GP direction register must be properly configured. To use these software-configurable GPIO pins, the GPxEN bits in the GPxEN = 1: GP[x] pin enabled. GPxDIR = 0: GP[x] pin is an input. GPxDIR = 1: GP[x] pin is an output. McASP1 pin direction is controlled by the PDIR[x] bits in the McASP1PDIR register.
HINT/GP[1]	J20			
HD15/GP[15]	B14			
HD14/GP[14]	C14			
HD13/GP[13]	A15			
HD12/GP[12]	C15			
HD11/GP[11]	A16			
HD10/GP[10]	B16			
HD9/GP[9]	C16			
HD8/GP[8]	B17			
HD7/GP[3]	A18			
HD4/GP[0]	C19			
HD1/AXR1[7]	D20			
HD0/AXR1[4]	E20			
HCNTL1/AXR1[1]	G19			
HCNTL0/AXR1[3]	G18			
HR \overline{W} /AXR1[0]	G20			
HDS1/AXR1[6]	E19			
HDS2/AXR1[5]	F18			
HCS/AXR1[2]	F20			
HD6/AHCLKR1	C17			
HD5/AHCLKX1	B18			
HD3/AMUTE1	C20			
HD2/AFSX1	D18			
HHWIL/AFSR1	H20			
HRDY/ACLKR1	H19			
HAS/ACLKX1	E18			

Table 5-6. C6713/13B Device Multiplexed/Shared Pins (continued)

MULTIPLEXED PIN		DEFAULT FUNCTION	DEFAULT SETTING	DESCRIPTION
NAME	GDP			
TINP0/AXR0[3]	G2	Timer 0 input function	McASP0PDIR = 0 (input) [specifically AXR0[3] bit]	By default, the Timer 0 input pin is enabled (and a shared input until the McASP0 peripheral forces an output). McASP0PDIR = 0 input, = 1 output
TOUT0/AXR0[2]	G1	Timer 0 output function	TOUT0SEL = 0 (DEVCFG register bit) [TOUT0 pin enabled and McASP0 AXR0[2] pin disabled]	By default, the Timer 0 output pin is enabled. To enable the McASP0 AXR0[2] pin, the TOUT0SEL bit in the DEVCFG register must be set to 1 (disabling the Timer 0 peripheral output pin function). The AXR2 bit in the McASP0PDIR register controls the direction (input/output) of the AXR0[2] pin. McASP0PDIR = 0 input, = 1 output
TINP1/AHCLKX0	F2	Timer 1 input function	McASP0PDIR = 0 (input) [specifically AHCLKX bit]	By default, the Timer 1 input and McASP0 clock function are enabled as inputs. For the McASP0 clock to function as an output: McASP0PDIR = 1 (specifically the AHCLKX bit).
TOUT1/AXR0[4]	F1	Timer 1 output function	TOUT1SEL = 0 (DEVCFG register bit) [TOUT1 pin enabled and McASP0 AXR0[4] pin disabled]	By default, the Timer 1 output pin is enabled. To enable the McASP0 AXR0[4] pin, the TOUT1SEL bit in the DEVCFG register must be set to 1 (disabling the Timer 1 peripheral output pin function). The AXR4 bit in the McASP0PDIR register controls the direction (input/output) of the AXR0[4] pin. McASP0PDIR = 0 input, = 1 output

5.5 Configuration Examples

Figure 5-1 through Figure 5-6 illustrate examples of peripheral selections that are configurable on this device.

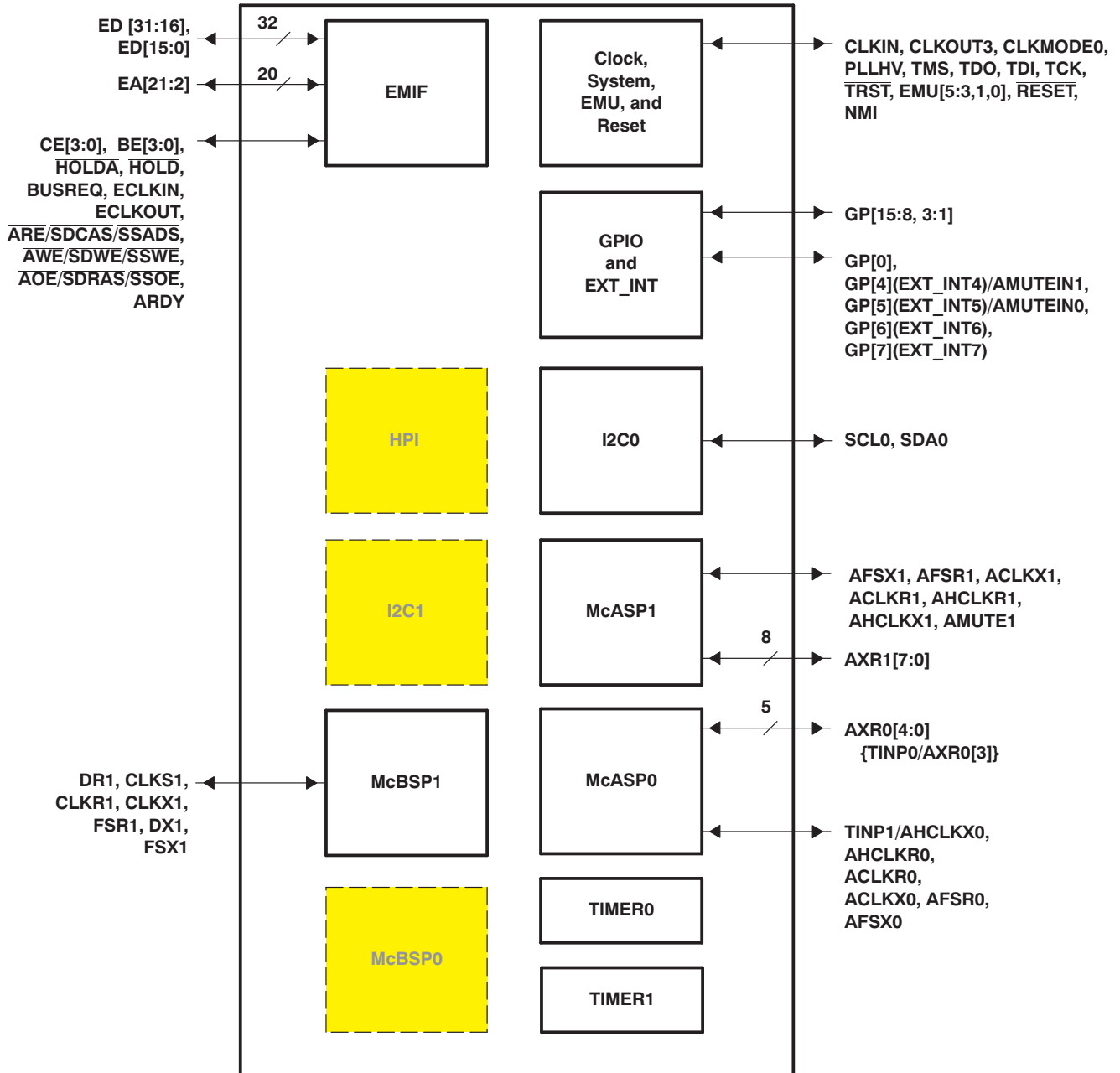


Shading denotes a peripheral module not available for this configuration.

DEVCFG Register Value: 0x0000 000F
 MCBSP0DIS = 1
 MCBSP1DIS = 1
 TOUT0SEL = 1
 TOUT1SEL = 1
 EKSRC = 0

HPI_EN(HD14) = 0
 GP2EN BIT = 1 (enabling GPEN.[2])

Figure 5-1. Configuration Example A (Two I2C + Two McASP + GPIO)

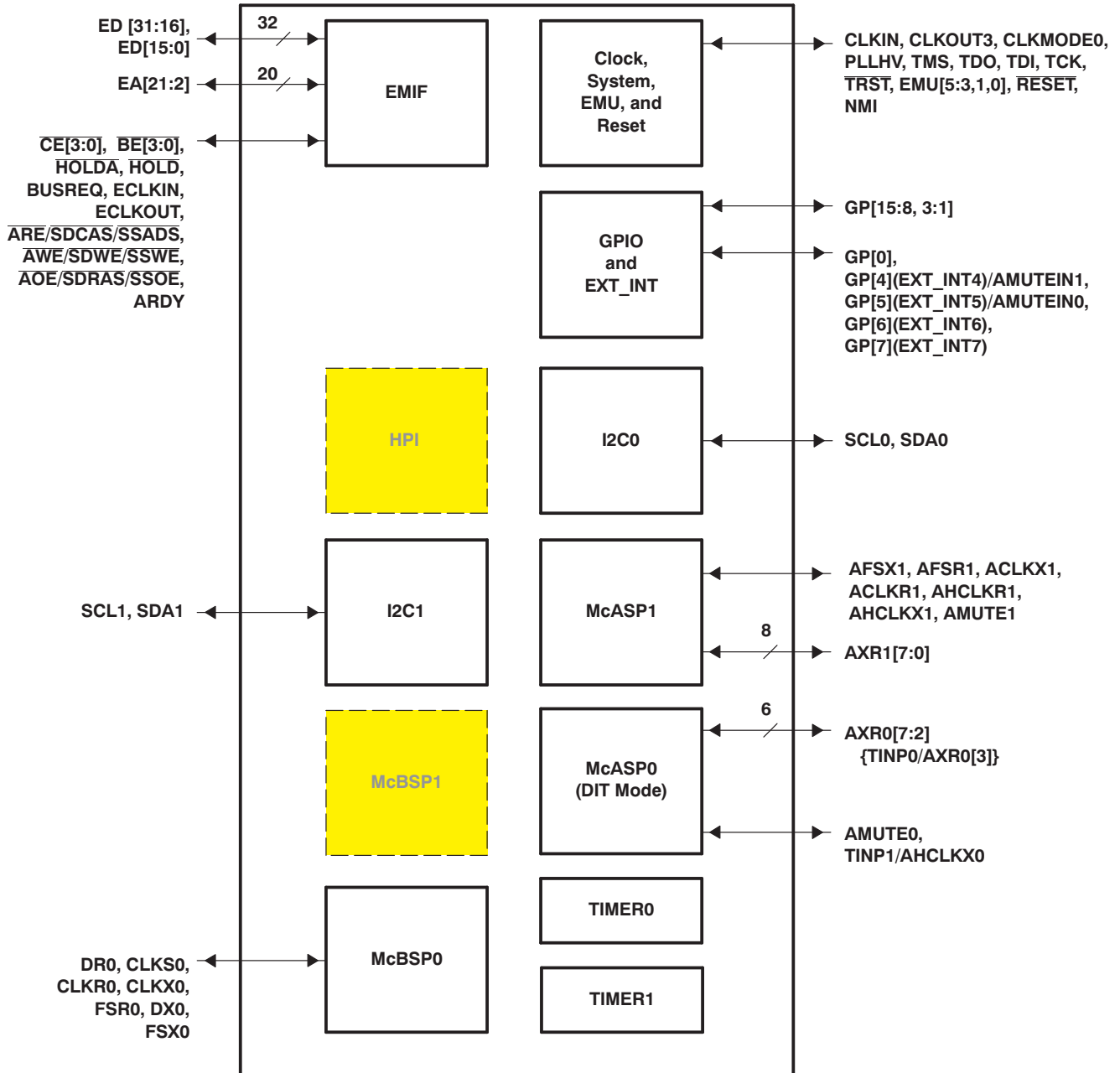


Shading denotes a peripheral module not available for this configuration.

DEVCFG Register Value: 0x0000 000E
 MCBSP0DIS = 1
 MCBSP1DIS = 0
 TOUT0SEL = 1
 TOUT1SEL = 1
 EKSRC = 0

HPI_EN(HD14) = 0
 GP2EN BIT = 1 (enabling GPEN.[2])

Figure 5-2. Configuration Example B (One I2C + One McBSP + Two McASP + GPIO)

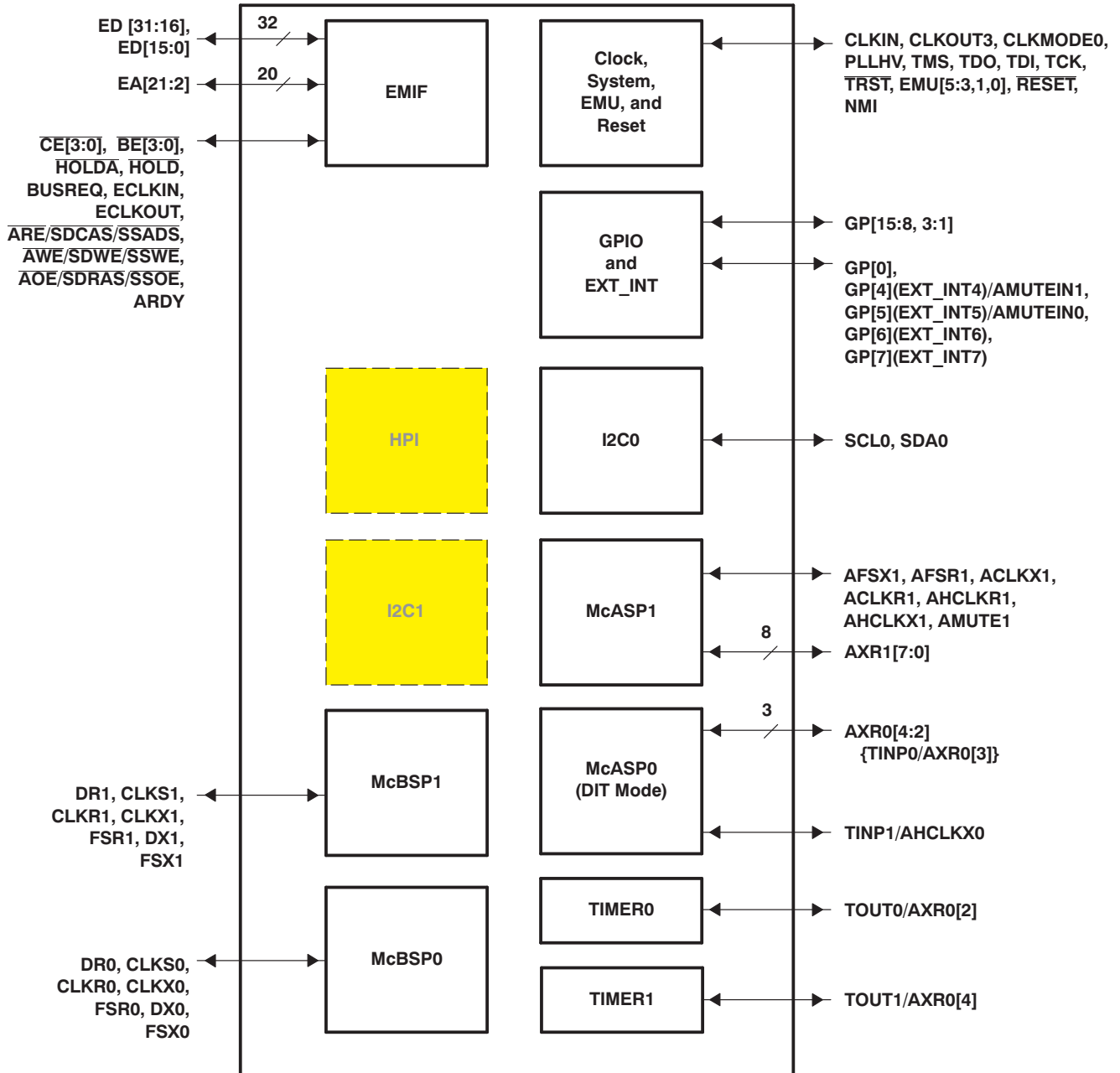


Shading denotes a peripheral module not available for this configuration.

DEVCFG Register Value: 0x0000 000D
 MCBSP0DIS = 0
 MCBSP1DIS = 1
 TOUT0SEL = 1
 TOUT1SEL = 1
 EKSRC = 0

HPI_EN(HD14) = 0
 GP2EN BIT = 1 (enabling GPEN.[2])

Figure 5-3. Configuration Example C [2 I2C + 1 McBSP + 1 McASP + 1 McASP (DIT) + GPIO]

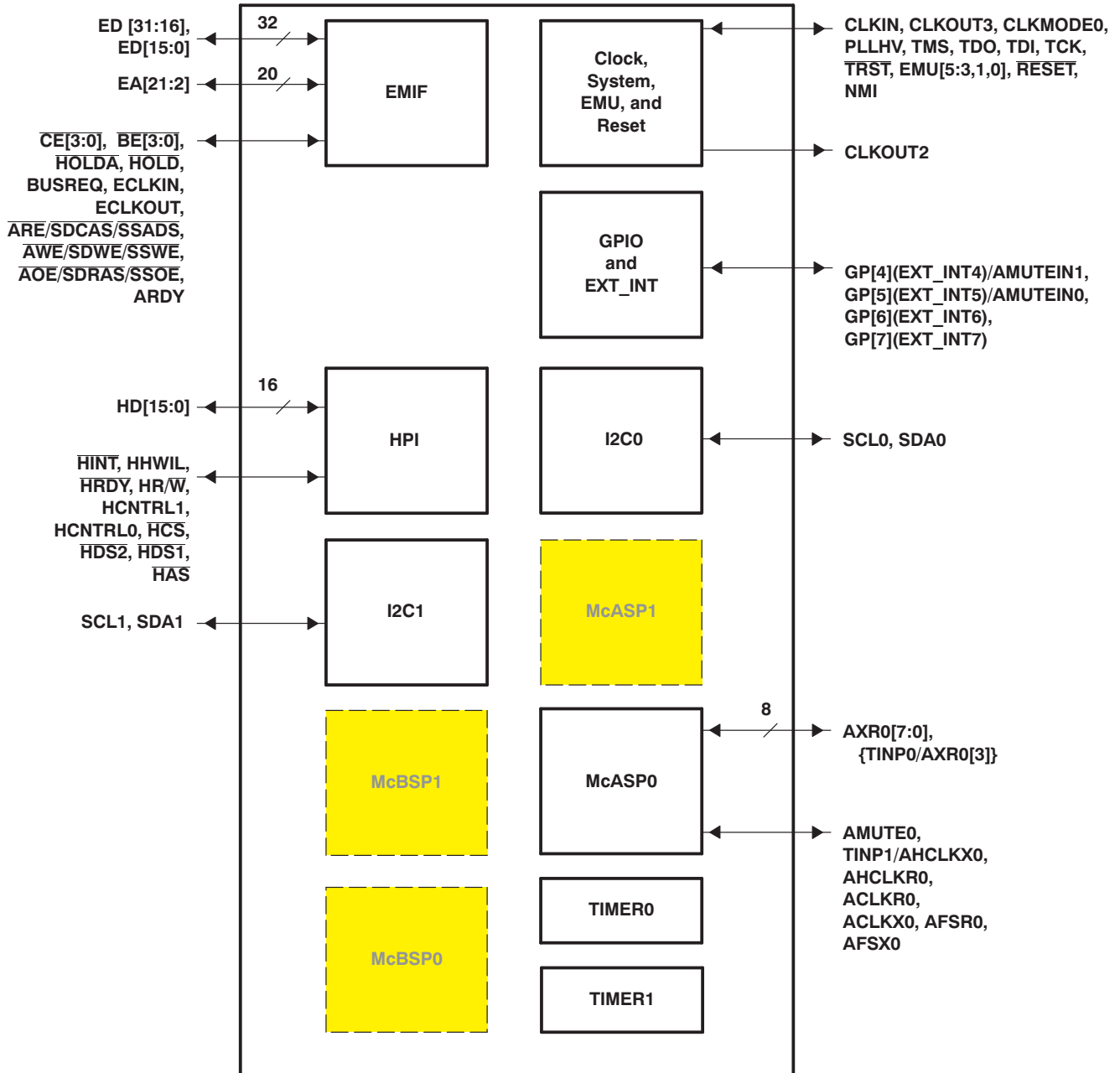


Shading denotes a peripheral module not available for this configuration.

DEVCFG Register Value: 0x0000 000C
 MCBSP0DIS = 0
 MCBSP1DIS = 0
 TOUT0SEL = 1
 TOUT1SEL = 1
 EKSRC = 0

HPI_EN(HD14) = 0
 GP2EN BIT = 1 (enabling GPEN.[2])

Figure 5-4. Configuration Example D [1 I2C + 2 McBSP + 1 McASP + 1 McASP (DIT) + GPIO + Timers]

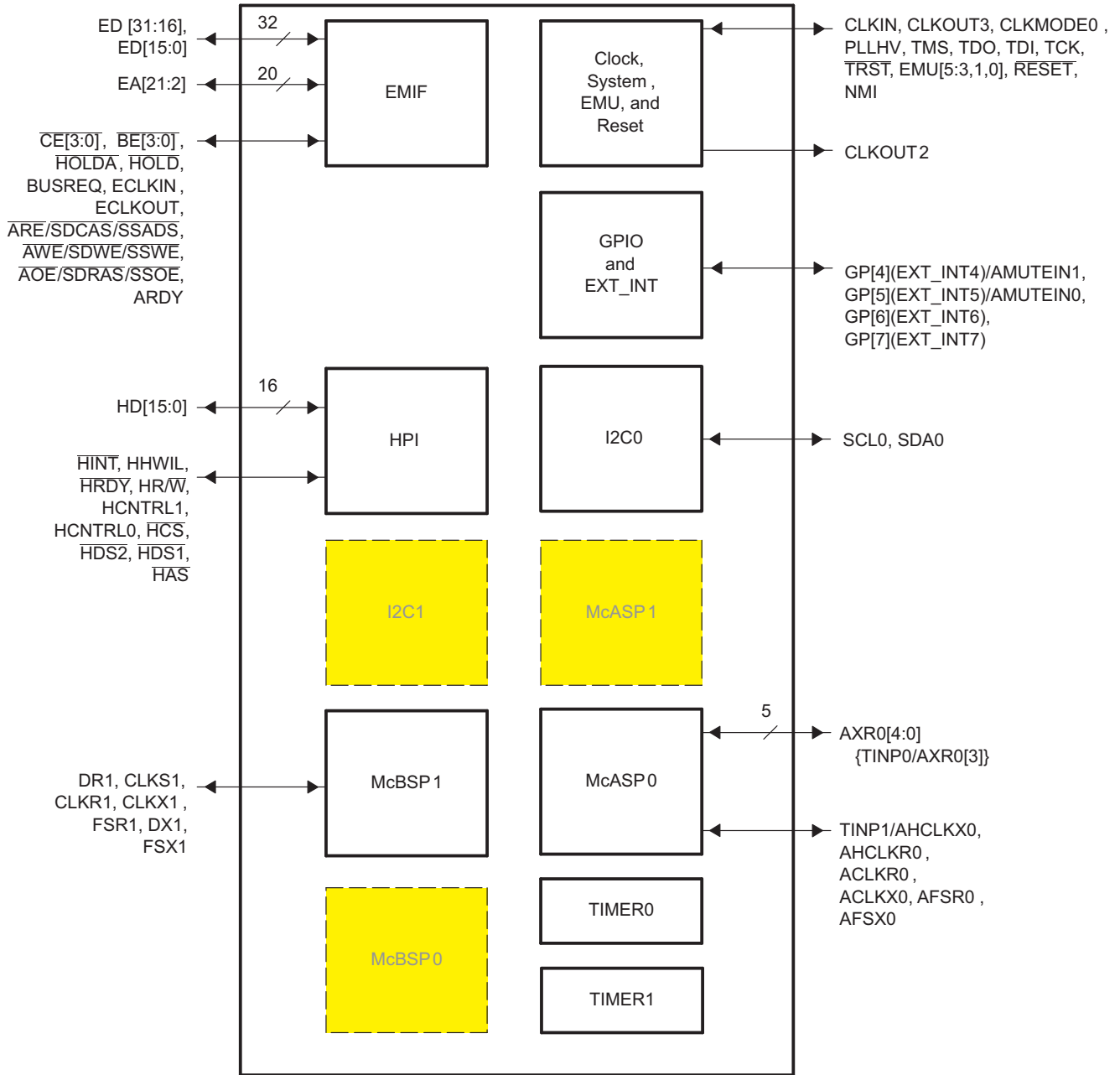


Shading denotes a peripheral module not available for this configuration.

DEVCFG Register Value: 0x0000 000F
 MCBSP0DIS = 1
 MCBSP1DIS = 1
 TOUT0SEL = 1
 TOUT1SEL = 1
 EKSRC = 0

HPI_EN(HD14) = 1
 GP2EN BIT = 0 (enabling GPEN.[2])

Figure 5-5. Configuration Example E (1 I2C + HPI + 1 McASP)



Shading denotes a peripheral module not available for this configuration.

DEVCFG Register V alue: 0x0000 000E
 MCBSP0DIS = 1
 MCBSP1DIS = 0
 TOUT0SEL = 1
 TOUT1SEL = 1
 EKSRC = 0

HPI_EN(HD14) = 1
 GP2EN BIT = 0 (enabling GPEN.[2])

Figure 5-6. Configuration Example F (One McBSP + HPI + One McASP)

5.6 Debugging Considerations

It is recommended that external connections be provided to peripheral selection/device configuration pins, including HD[14, 8, 12 (for 13B only), 4, 3], and CLKMODE0. Although internal pullup resistors exist on these pins, providing external connectivity adds convenience to the user in debugging and flexibility in switching operating modes.

Internal pullup/pulldown resistors also exist on the non-configuration pins on the HPI data bus (HD[15, 13:9, 7:5, 2:0] (for 13) and HD[15, 13, 11:9, 7:5, 2:0] (for 13B)). For proper device operation of the HD[15, 13:9, 7, 1, 0] (for 13) or HD[13, 11:9, 7, 1, 0] (for 13B), do not oppose the internal pullup/pulldown resistors on these non-configuration pins with external pullup/pulldown resistors at reset. If an external controller provides signals to these HD[15, 13:9, 7, 1, 0] (for 13) or HD[13, 11:9, 7, 1, 0] (for 13B) non-configuration pins, these signals must be driven to the default state of the pins at reset, or not be driven at all. For the list of routed out, 3-stated, or not-driven pins recommended for external pullup/pulldown resistors, and internal pullup/pulldown resistors for all devices pins, etc., see [Terminal Functions](#). However, the HD[6, 5, 2] (for 13) or HD[15, 6, 5, 2] (for 13B) non-configuration pins can be opposed and driven during reset.

For the internal pullup/pulldown resistors for all device pins, see the [Terminal Functions](#) table.

6 TERMINAL FUNCTIONS

The [Terminal Functions](#) table identifies the external signal names, the associated pin (ball) numbers along with the mechanical package designator, the pin type (I, O/Z, or I/O/Z), whether the pin has any internal pullup/pulldown resistors and a functional pin description. For more detailed information on device configuration, peripheral selection, multiplexed/shared pins, and debugging considerations, see the [Device Configurations](#) section of this data sheet.

TERMINAL FUNCTIONS

SIGNAL NAME	PIN NO.	TYPE ⁽¹⁾	IPD/IPU ⁽²⁾	DESCRIPTION
	GDP			
CLOCK/PLL CONFIGURATION				
CLKIN	A3	I	IPD	Clock input
CLKOUT2/GP[2]	Y12	O/Z	IPD	Clock output at half of device speed (O/Z) [default] (SYSCLK2 internal signal from the clock generator) or this pin can be programmed as GP[2] pin (I/O/Z).
CLKOUT3	D10	O	IPD	Clock output programmable by OSCDIV1 register in the PLL controller
CLKMODE0	C4	I	IPU	Clock generator input clock source select 0: Reserved, do not use 1: CLKIN square wave [default] For proper device operation, this pin must be either left unconnected or externally pulled up with a 1-kΩ resistor.
PLLHV	C5	A ⁽³⁾		Analog power (3.3 V) for PLL (PLL filter)
JTAG EMULATION				
TMS	B7	I	IPU	JTAG test-port mode select
TDO	A8	O/Z	IPU	JTAG test-port data out
TDI	A7	I	IPU	JTAG test-port data in
TCK	A6	I	IPU	JTAG test-port clock
TRST	B6	I	IPD	JTAG test-port reset. For IEEE Std 1149.1 JTAG compatibility, see the IEEE 1149.1 JTAG Compatibility Statement section of this data sheet.
EMU5	B12	I/O/Z	IPU	Emulation pin 5. Reserved for future use, leave unconnected.
EMU4	C11	I/O/Z	IPU	Emulation pin 4. Reserved for future use, leave unconnected.
EMU3	B10	I/O/Z	IPU	Emulation pin 3. Reserved for future use, leave unconnected.
EMU2	D3	I/O/Z	IPU	Emulation pin 2. Reserved for future use, leave unconnected.
EMU1 EMU0	B9 D9	I/O/Z	IPU	Emulation [1:0] • Select the device functional mode of operation Operation: EMU[1:0]: 00 Boundary Scan/Functional Mode (see note) 01 Reserved 10 Reserved 11 Emulation/Functional Mode [default] (see the IEEE 1149.1 JTAG Compatibility Statement of this data sheet) The DSP can be placed in Functional mode when the EMU[1:0] pins are configured for either boundary scan or emulation. Note: When the EMU[1:0] pins are configured for boundary scan mode, the internal pulldown (IPD) on the TRST signal must not be opposed to operate in functional mode. For the boundary scan mode, drive EMU[1:0] and RESET pins low.
RESETS AND INTERRUPTS				
RESET	A13	I	—	Device reset. When using boundary scan mode, drive the EMU[1:0] and RESET pins low.
NMI	C13	I	IPD	Nonmaskable interrupt • Edge-driven (rising edge)
GP[7](EXT_INT7)	E3	I/O/Z	IPU	General-purpose input/output pins (I/O/Z), which also function as external interrupts • Edge-driven • Polarity independently selected via the external interrupt polarity register bits (EXTPOL[3:0]), in addition to the GPIO registers. GP[4] and GP[5] pins also function as AMUTEIN1 McASP1 mute input and AMUTEIN0 McASP0 mute input, respectively, if enabled by the INEN bit in the associated McASP AMUTE register.
GP[6](EXT_INT6)	D2			
GP[5](EXT_INT5)/ AMUTEIN0	C1			
GP[4](EXT_INT4)/ AMUTEIN1	C2			
HOST-PORT INTERFACE (HPI)				
HINT/GP[1]	J20	O/Z	IPU	Host interrupt (from DSP to host) (O) [default] or this pin can be programmed as a GP[1] pin (I/O/Z)
HCNTL1/AXR1[1]	G19	I	IPU	Host control: Selects between control, address, or data registers (I) [default] or McASP1 data pin 1 (I/O/Z)
HCNTL0/AXR1[3]	G18	I	IPU	Host control: Selects between control, address, or data registers (I) [default] or McASP1 data pin 3 (I/O/Z)
HHWL/AFSR1	H20	I	IPU	Host half-word select: First or second half-word (not necessarily high or low order) (I) [default] or McASP1 receive frame sync or left/right clock (LRCLK) (I/O/Z).
HRW/AXR1[0]	G20	I	IPU	Host read or write select (I) [default] or McASP1 data pin 0 (I/O/Z)

- (1) I = Input, O = Output, Z = High impedance, S = Supply voltage, GND = Ground
(2) IPD = Internal pulldown, IPU = Internal pullup. [These IPD/IPU signal pins feature a 13-kΩ resistor (approximate) for the IPD or 18-kΩ resistor (approximate) for the IPU. An external pullup or pulldown resistor no greater than 4.4 kΩ and 2.0 kΩ, respectively, should be used to pull a signal to the opposite supply rail.]
(3) A = Analog signal

TERMINAL FUNCTIONS (continued)

SIGNAL NAME	PIN NO.	TYPE ⁽¹⁾	IPD/IPU ⁽²⁾	DESCRIPTION
	GDP			
HD15/GP[15] HD14/GP[14] HD13/GP[13] HD12/GP[12] HD11/GP[11] HD10/GP[10] HD9/GP[9] HD8/GP[8] HD7/GP[3]	B14 C14 A15 C15 A16 B16 C16 B17 A18	I/O/Z	IPU	<p>Host-port data pins (I/O/Z) [default] or general-purpose input/output pins (I/O/Z)</p> <ul style="list-style-type: none"> Used for transfer of data, address, and control Also controls initialization of DSP modes at reset via pullup/pulldown resistors <ul style="list-style-type: none"> Device Endian mode (HD8) <ul style="list-style-type: none"> 0: Big Endian 1: Little Endian Boot mode (HD[4:3]) <ul style="list-style-type: none"> 00: HPI boot/emulation boot 01: $\overline{CE1}$ width 8-bit, asynchronous external ROM boot with default timings (default mode) 10: $\overline{CE1}$ width 16-bit, asynchronous external ROM boot with default timings 11: $\overline{CE1}$ width 32-bit, asynchronous external ROM boot with default timings <ul style="list-style-type: none"> HPI_EN (HD14) <ul style="list-style-type: none"> 0: HPI disabled, McASP1 enabled 1: HPI enabled, McASP1 disabled (default) <p>Other HD pins (HD [15, 13:9, 7:5, 2:0] have pullups/pulldowns (IPUs/IPDs). For proper device operation, do not oppose these pins with external pullups/pulldowns at reset; however, the HD[15, 6, 5, 2] pins can be opposed and driven at reset. For more details, see the Device Configurations section of this data sheet.</p>
HD6/AHCLKR1	C17	I/O/Z	IPU	Host-port data pin 6 (I/O/Z) [default] or McASP1 receive high-frequency master clock (I/O/Z)
HD5/AHCLKX1	B18	I/O/Z	IPU	Host-port data pin 5 (I/O/Z) [default] or McASP1 transmit high-frequency master clock (I/O/Z)
HD4/GP[0]	C19	I/O/Z	IPD	Host-port data pin 4 (I/O/Z) [default] or this pin can be programmed as a GP[0] pin (I/O/Z)
HD3/AMUTE1	C20	I/O/Z	IPU	Host-port data pin 3 (I/O/Z) [default] or McASP1 mute output (O/Z)
HD2/AFSX1	D18	I/O/Z	IPU	Host-port data pin 2 (I/O/Z) [default] or McASP1 transmit frame sync or left/right clock (LRCLK) (I/O/Z)
HD1/AXR1[7]	D20	I/O/Z	IPU	Host-port data pin 1 (I/O/Z) [default] or McASP1 data pin 7 (I/O/Z)
HD0/AXR1[4]	E20	I/O/Z	IPU	Host-port data pin 0 (I/O/Z) [default] or McASP1 data pin 4 (I/O/Z)
HAS/ACLKX1	E18	I	IPU	Host address strobe (I) [default] or McASP1 transmit bit clock (I/O/Z)
HCS/AXR1[2]	F20	I	IPU	Host chip select (I) [default] or McASP1 data pin 2 (I/O/Z)
HDS1/AXR1[6]	E19	I	IPU	Host data strobe 1 (I) [default] or McASP1 data pin 6 (I/O/Z)
HDS2/AXR1[5]	F18	I	IPU	Host data strobe 2 (I) [default] or McASP1 data pin 5 (I/O/Z)
HRDY/ACLKR1	H19	O/Z	IPD	Host ready (from DSP to host) (O) [default] or McASP1 receive bit clock (I/O/Z)
EMIF—COMMON SIGNALS TO ALL TYPES OF MEMORY⁽⁴⁾				
CE3	V6	O/Z	IPU	<p>Memory space enables</p> <ul style="list-style-type: none"> Enabled by bits 28 through 31 of the word address Only one asserted during any external data access
CE2	W6			
CE1	W18			
CE0	V17			
BE3	V5	O/Z	IPU	<p>Byte-enable control</p> <ul style="list-style-type: none"> Decoded from the two lowest bits of the internal address Byte-write enables for most types of memory Can be directly connected to SDRAM read and write mask signal (SDQM)
BE2	Y4			
BE1	U19			
BE0	V20			
EMIF—BUS ARBITRATION⁽⁴⁾				
HOLD \overline{A}	J18	O/Z	IPU	Hold-request-acknowledge to the host
HOLD	J17	I	IPU	Hold request from the host
BUSREQ	J19	O/Z	IPU	Bus request output
EMIF—ASYNCHRONOUS/SYNCHRONOUS MEMORY CONTROL⁽⁴⁾				
ECLKIN	Y11	I	IPD	External EMIF input clock source
ECLKOUT	Y10	O/Z	IPD	<p>EMIF output clock depends on the EKSRC bit (DEVCFG.[4]) and on EKEN bit (GBLCTL.[5]).</p> <p>EKSRC = 0 ECLKOUT is based on the internal SYSCLK3 signal from the clock generator (default).</p> <p>EKSRC = 1 ECLKOUT is based on the external EMIF input clock source pin (ECLKIN)</p> <p>EKEN = 0 ECLKOUT held low</p> <p>EKEN = 1 ECLKOUT enabled to clock (default)</p>
ARE/SDCAS/ SSADS	V11	O/Z	IPU	Asynchronous memory read enable/SDRAM column-address strobe/SBSRAM address strobe
AOE/SDRAS/ SSOE	W10	O/Z	IPU	Asynchronous memory output enable/SDRAM row-address strobe/SBSRAM output enable
AWE/SDWE/ SSWE	V12	O/Z	IPU	Asynchronous memory write enable/SDRAM write enable/SBSRAM write enable
ARDY	Y5	I	IPU	Asynchronous memory ready input

(4) To maintain signal integrity for the EMIF signals, serial termination resistors should be inserted into all EMIF output signal lines.

TERMINAL FUNCTIONS (continued)

SIGNAL NAME	PIN NO.	TYPE ⁽¹⁾	IPD/IPU ⁽²⁾	DESCRIPTION												
	GDP															
EMIF—ADDRESS⁽⁴⁾																
EA21	U18	O/Z	IPU	<p>External address (word, half-word, and byte address) The EMIF adjusts the address based on memory width:</p> <table border="1" style="margin-left: 20px;"> <thead> <tr> <th>Width</th> <th>Pins</th> <th>Address</th> </tr> </thead> <tbody> <tr> <td>32</td> <td>21:2</td> <td>21 through 2</td> </tr> <tr> <td>16</td> <td>21:2</td> <td>20 through 1</td> </tr> <tr> <td>8</td> <td>21:2</td> <td>19 through 0</td> </tr> </tbody> </table> <p>For more details on address width adjustments, see the External Memory Interface (EMIF) chapter of the <i>TMS320C6000 Peripherals Reference Guide</i> (literature number SPRU190)</p>	Width	Pins	Address	32	21:2	21 through 2	16	21:2	20 through 1	8	21:2	19 through 0
Width	Pins				Address											
32	21:2				21 through 2											
16	21:2				20 through 1											
8	21:2				19 through 0											
EA20	Y18															
EA19	W17															
EA18	Y16															
EA17	V16															
EA16	Y15															
EA15	W15															
EA14	Y14															
EA13	W14															
EA12	V14															
EA11	W13															
EA10	V10															
EA9	Y9															
EA8	V9															
EA7	Y8															
EA6	W8															
EA5	V8															
EA4	W7															
EA3	V7															
EA2	Y6															
EMIF—DATA⁽⁴⁾																
ED31	N3	I/O/Z	IPU	<p>External data pins (ED[31:16] pins applicable to GDP package only)</p>												
ED30	P3															
ED29	P2															
ED28	P1															
ED27	R2															
ED26	R3															
ED25	T2															
ED24	T1															
ED23	U3															
ED22	U1															
ED21	U2															
ED20	V1															
ED19	V2															
ED18	Y3															
ED17	W4															
ED16	V4															
ED15	T19															
ED14	T20															
ED13	T18															
ED12	R20															
ED11	R19															
ED10	P20															
ED9	P18															
ED8	N20															
ED7	N19															
ED6	N18															
ED5	M20															
ED4	M19															
ED3	L19															
ED2	L18															
ED1	K19															
ED0	K18															

TERMINAL FUNCTIONS (continued)

SIGNAL NAME	PIN NO.	TYPE ⁽¹⁾	IPD/IPU ⁽²⁾	DESCRIPTION
	GDP			
MULTICHANNEL AUDIO SERIAL PORT 1 (McASP1)				
GP[4](EXT_INT4)/AMUTEIN1	C2	I/O/Z	IPU	General-purpose input/output pin 4 and external interrupt 4 (I/O/Z) [default] or McASP1 mute input (I/O/Z)
HD3/AMUTE1	C20	I/O/Z	IPU	Host-port data pin 3 (I/O/Z) [default] or McASP1 mute output (O/Z)
HRDY/ACLKR1	H19	I/O/Z	IPU	Host ready (from DSP to host) (O) [default] or McASP1 receive bit clock (I/O/Z)
HD6/AHCLKR1	C17	I/O/Z	IPU	Host-port data pin 6 (I/O/Z) [default] or McASP1 receive high-frequency master clock (I/O/Z)
HAS/ACLKX1	E18	I/O/Z	IPU	Host address strobe (I) [default] or McASP1 transmit bit clock (I/O/Z)
HD5/AHCLKX1	B18	I/O/Z	IPU	Host-port data pin 5 (I/O/Z) [default] or McASP1 transmit high-frequency master clock (I/O/Z)
HHWIL/AFSR1	H20	I/O/Z	IPU	Host half-word select – first or second half-word (not necessarily high or low order) (I) [default] or McASP1 receive frame sync or left/right clock (LRCLK) (I/O/Z)
HD2/AFSX1	D18	I/O/Z	IPU	Host-port data pin 2 (I/O/Z) [default] or McASP1 transmit frame sync or left/right clock (LRCLK) (I/O/Z)
HD1/AXR1[7]	D20	I/O/Z	IPU	Host-port data pin 1 (I/O/Z) [default] or McASP1 TX/RX data pin 7 (I/O/Z)
HD51/AXR1[6]	E19	I/O/Z	IPU	Host data strobe 1 (I) [default] or McASP1 TX/RX data pin 6 (I/O/Z)
HD52/AXR1[5]	F18	I/O/Z	IPU	Host data strobe 2 (I) [default] or McASP1 TX/RX data pin 5 (I/O/Z)
HD0/AXR1[4]	E20	I/O/Z	IPU	Host-port data pin 0 (I/O/Z) [default] or McASP1 TX/RX data pin 4 (I/O/Z)
HCNTL0/AXR1[3]	G18	I/O/Z	IPU	Host control – selects between control, address, or data registers (I) [default] or McASP1 TX/RX data pin 3 (I/O/Z)
HCS/AXR1[2]	F20	I/O/Z	IPU	Host chip select (I) [default] or McASP1 TX/RX data pin 2 (I/O/Z)
HCNTL1/AXR1[1]	G19	I/O/Z	IPU	Host control – selects between control, address, or data registers (I) [default] or McASP1 TX/RX data pin 1 (I/O/Z)
HRW/AXR1[0]	G20	I/O/Z	IPU	Host read or write select (I) [default] or McASP1 TX/RX data pin 0 (I/O/Z)
MULTICHANNEL AUDIO SERIAL PORT 0 (McASP0)				
GP[5](EXT_INT5)/AMUTEIN0	C1	I/O/Z	IPU	General-purpose input/output pin 5 and external interrupt 5 (I/O/Z) [default] or McASP0 mute input (I/O/Z)
CLKX1/AMUTE0	L3	I/O/Z	IPD	McBSP1 transmit clock (I/O/Z) [default] or McASP0 mute output (O/Z)
CLKR0/ACLKR0	H3	I/O/Z	IPD	McBSP0 receive clock (I/O/Z) [default] or McASP0 receive bit clock (I/O/Z)
TINP1/AHCLKX0	F2	I/O/Z	IPD	Timer 1 input (I) [default] or McBSP0 transmit high-frequency master clock (I/O/Z)
CLKX0/ACLKX0	G3	I/O/Z	IPD	McBSP0 transmit clock (I/O/Z) [default] or McASP0 transmit bit clock (I/O/Z)
CLKS0/AHCLKR0	K3	I/O/Z	IPD	McBSP0 external clock source (as opposed to internal) (I) [default] or McASP0 receive high-frequency master clock (I/O/Z)
FSR0/AFSR0	J3	I/O/Z	IPD	McBSP0 receive frame sync (I/O/Z) [default] or McASP0 receive frame sync or left/right clock (LRCLK) (I/O/Z)
FSX0/FSX0	H1	I/O/Z	IPD	McBSP0 transmit frame sync (I/O/Z) [default] or McASP0 transmit frame sync or left/right clock (LRCLK) (I/O/Z)
FSR1/AXR0[7]	M3	I/O/Z	IPD	McBSP1 receive frame sync (I/O/Z) [default] or McASP0 TX/RX data pin 7 (I/O/Z)
CLKR1/AXR0[6]	M1	I/O/Z	IPD	McBSP1 receive clock (I/O/Z) [default] or McASP0 TX/RX data pin 6 (I/O/Z)
DX1/AXR0[5]	L2	I/O/Z	IPU	McBSP1 transmit data (O/Z) [default] or McASP0 TX/RX data pin 5 (I/O/Z)
TOUT1/AXR0[4]	F1	I/O/Z	IPD	Timer 1 output (O) [default] or McASP0 TX/RX data pin 4 (I/O/Z)
TINP0/AXR0[3]	G2	I/O/Z	IPD	Timer 0 input (I) [default] or McASP0 TX/RX data pin 3 (I/O/Z)
TOUT0/AXR0[2]	G1	I/O/Z	IPD	Timer 0 output (O) [default] or McASP0 TX/RX data pin 2 (I/O/Z)
DX0/AXR0[1]	H2	I/O/Z	IPU	McBSP0 transmit data (O/Z) [default] or McASP0 TX/RX data pin 1 (I/O/Z)
DR0/AXR0[0]	J1	I/O/Z	IPU	McBSP0 receive data (I) [default] or McASP0 TX/RX data pin 0 (I/O/Z)
TIMER1				
TOUT1/AXR0[4]	F1	O	IPD	Timer 1 output (O) [default] or McASP0 TX/RX data pin 4 (I/O/Z)
TINP1/AHCLKX0	F2	I	IPD	Timer 1 input (I) [default] or McBSP0 transmit high-frequency master clock (I/O/Z). This pin defaults as Timer 1 input (I) and McASP transmit high-frequency master clock input (I).
TIMER0				
TOUT0/AXR0[2]	G1	O	IPD	Timer 0 output (O) [default] or McASP0 TX/RX data pin 2 (I/O/Z)
TINP0/AXR0[3]	G2	I	IPD	Timer 0 input (I) [default] or McASP0 TX/RX data pin 3 (I/O/Z)
MULTICHANNEL BUFFERED SERIAL PORT 1 (McBSP1)				
CLKS1/SCL1	E1	I	—	McBSP1 external clock source (as opposed to internal) (I) [default] or I2C1 clock (I/O/Z). This pin does not have an internal pullup or pulldown. When this pin is used as a McBSP pin, this pin should either be driven externally at all times or be pulled up with a 10-kΩ resistor to a valid logic level. Because it is common for some ICs to 3-state their outputs at times, a 10-kΩ pullup resistor may be desirable even when an external device is driving the pin.
CLKR1/AXR0[6]	M1	I/O/Z	IPD	McBSP1 receive clock (I/O/Z) [default] or McASP0 TX/RX data pin 6 (I/O/Z)
CLKX1/AMUTE0	L3	I/O/Z	IPD	McBSP1 transmit clock (I/O/Z) [default] or McASP0 mute output (O/Z)
DR1/SDA1	M2	I	—	McBSP1 receive data (I) [default] or I2C1 data (I/O/Z). This pin does not have an internal pullup or pulldown. When this pin is used as a McBSP pin, this pin should either be driven externally at all times or be pulled up with a 10-kΩ resistor to a valid logic level. Because it is common for some ICs to 3-state their outputs at times, a 10-kΩ pullup resistor may be desirable even when an external device is driving the pin.
DX1/AXR0[5]	L2	O/Z	IPU	McBSP1 transmit data (O/Z) [default] or McASP0 TX/RX data pin 5 (I/O/Z)
FSR1/AXR0[7]	M3	I/O/Z	IPD	McBSP1 receive frame sync (I/O/Z) [default] or McASP0 TX/RX data pin 7 (I/O/Z)
FSX1	L1	I/O/Z	IPD	McBSP1 transmit frame sync

TERMINAL FUNCTIONS (continued)

SIGNAL NAME	PIN NO. GDP	TYPE ⁽¹⁾	IPD/IPU ⁽²⁾	DESCRIPTION
MULTICHANNEL BUFFERED SERIAL PORT 0 (McBSP0)				
CLKS0/AHCLKR0	K3	I	IPD	McBSP0 external clock source (as opposed to internal) (I) [default] or McBSP0 receive high-frequency master clock (I/O/Z)
CLKR0/ACLKR0	H3	I/O/Z	IPD	McBSP0 receive clock (I/O/Z) [default] or McASP0 receive bit clock (I/O/Z)
CLKX0/ACLKX0	G3	I/O/Z	IPD	McBSP0 transmit clock (I/O/Z) [default] or McASP0 transmit bit clock (I/O/Z)
DR0/AXR0[0]	J1	I	IPU	McBSP0 receive data (I) [default] or McASP0 TX/RX data pin 0 (I/O/Z)
DX0/AXR0[1]	H2	O/Z	IPU	McBSP0 transmit data (O/Z) [default] or McASP0 TX/RX data pin 1 (I/O/Z)
FSR0/AFSR0	J3	I/O/Z	IPD	McBSP0 receive frame sync (I/O/Z) [default] or McASP0 receive frame sync or left/right clock (LRCLK) (I/O/Z)
FSX0/AFSX0	H1	I/O/Z	IPD	McBSP0 transmit frame sync (I/O/Z) [default] or McASP0 transmit frame sync or left/right clock (LRCLK) (I/O/Z)
INTER-INTEGRATED CIRCUIT 1 (I2C1)				
CLKS1/SCL1	E1	I/O/Z	—	McBSP1 external clock source (as opposed to internal) (I) [default] or I2C1 clock (I/O/Z). This pin <i>must</i> be externally pulled up. When this pin is used as an I ² C pin, the value of the pullup resistor depends on the number of devices connected to the I ² C bus. For more details, see the <i>Philips I²C Specification Revision 2.1</i> (January 2000).
DR1/SDA1	M2	I/O/Z	—	McBSP1 receive data (I) [default] or I2C1 data (I/O/Z). This pin <i>must</i> be externally pulled up. When this pin is used as an I ² C pin, the value of the pullup resistor depends on the number of devices connected to the I ² C bus. For more details, see the <i>Philips I²C Specification Revision 2.1</i> (January 2000).
INTER-INTEGRATED CIRCUIT 0 (I2C0)				
SCL0	N1	I/O/Z	—	I2C0 clock. This pin <i>must</i> be externally pulled up. When this pin is used as an I ² C pin, the value of the pull-up resistor depends on the number of devices connected to the I ² C bus. For more details, see the <i>Philips I²C Specification Revision 2.1</i> (January 2000).
SDA0	N2	I/O/Z	—	I2C0 data. This pin <i>must</i> be externally pulled up. When this pin is used as an I ² C pin, the value of the pull-up resistor depends on the number of devices connected to the I ² C bus. For more details, see the <i>Philips I²C Specification Revision 2.1</i> (January 2000).
GENERAL-PURPOSE INPUT/OUTPUT (GPIO)				
HD15/GP[15]	B14	I/O/Z	IPU	Host-port data pins (I/O/Z) [default] or general-purpose input/output pins (I/O/Z) and some function as boot configuration pins at reset. <ul style="list-style-type: none"> Used for transfer of data, address, and control Also controls initialization of DSP modes at reset via pullup/pulldown resistors As general-purpose input/output (GP[x]) functions, these pins are software configurable through registers. The GPxEN bits in the GP Enable register and the GPxDIR bits in the GP Direction register must be properly configured: <ul style="list-style-type: none"> GPxEN = 1; GP[x] pin is enabled. GPxDIR = 0; GP[x] pin is an input. GPxDIR = 1; GP[x] pin is an output. For the functionality description of the Host-port data pins or the boot configuration pins, see the Host-Port Interface (HPI) portion of this table.
HD14/GP[14]	C14	I/O/Z	IPU	
HD13/GP[13]	A15	I/O/Z	IPU	
HD12/GP[12]	C15	I/O/Z	IPU	
HD11/GP[11]	A16	I/O/Z	IPU	
HD10/GP[10]	B16	I/O/Z	IPU	
HD9/GP[9]	C16	I/O/Z	IPU	
HD8/GP[8]	B17	I/O/Z	IPU	
GP[7](EXT_INT7)	E3	I/O/Z	IPU	
GP[6](EXT_INT6)	D2	I/O/Z	IPU	
GP[5](EXT_INT5)/AMUTEIN0	C1	I/O/Z	IPU	<ul style="list-style-type: none"> Edge-driven Polarity independently selected via the External Interrupt Polarity Register bits (EXTPOL[3:0])
GP[4](EXT_INT4)/AMUTEIN1	C2	I/O/Z	IPU	GP[4] and GP[5] pins also function as AMUTEIN1 McASP1 mute input and AMUTEIN0 McASP0 mute input, respectively, if enabled by the INEN bit in the associated McASP AMUTE register.
HD7/GP[3]	A18	I/O/Z	IPU	Host-port data pin 7 (I/O/Z) [default] or general-purpose input/output pin 3 (I/O/Z)
CLKOUT2/GP[2]	Y12	I/O/Z	IPD	Clock output at half of device speed (O/Z) [default] or this pin can be programmed as GP[2] pin
HINT/GP[1]	J20	O	IPU	Host interrupt (from DSP to host) (O) [default] or this pin can be programmed as a GP[1] pin (I/O/Z)
HD4/GP[0]	C19	I/O/Z	IPD	Host-port data pin 4 (I/O/Z) [default] or this pin can be programmed as a GP[0] pin (I/O/Z)
RESERVED FOR TEST				
RSV	A5	O/Z	IPU	Reserved. (Leave unconnected; do not connect to power or ground.)
RSV	B5	A ⁽³⁾	—	Reserved. (Leave unconnected; do not connect to power or ground.)
RSV	C12	O	—	Reserved. (Leave unconnected; do not connect to power or ground.)
RSV	D7	O/Z	IPD	Reserved. (Leave unconnected; do not connect to power or ground.)
RSV	D12	I	—	Reserved. This pin does <i>not</i> have an IPU. For proper C6713 device operation, the D12 pin <i>must</i> be externally pulled down with a 10-kΩ resistor.
RSV	A12	—	—	Reserved. For new designs, it is recommended that this pin be connected directly to CV _{DD} (core power). For old designs, this can be left unconnected.
RSV	B11	—	—	Reserved. For new designs, it is recommended that this pin be connected directly to V _{SS} (ground). For old designs, this pin can be left unconnected.

TERMINAL FUNCTIONS (continued)

SIGNAL NAME	PIN NO.	TYPE ⁽¹⁾	IPD/IPU ⁽²⁾	DESCRIPTION
	GDP			
SUPPLY VOLTAGE PINS				
DV _{DD}	A17	S	—	3.3-V supply voltage (see the Power-Supply Decoupling section of this data sheet)
	B3			
	B8			
	B13			
	C10			
	D1			
	D16			
	D19			
	F3			
	H18			
	J2			
	M18			
	R1			
	R18			
	T3			
	U5			
	U7			
	U12			
	U16			
V13				
V15				
V19				
W3				
W9				
W12				
Y7				
Y17				
CV _{DD}	A4	S	—	1.26-V supply voltage (see the Power-Supply Decoupling section of this data sheet)
	A9			
	A10			
	B2			
	B19			
	C3			
	C7			
	C18			
	D5			
	D6			
	D11			
	D14			
	D15			
	F4			
	F17			
	K1			
	K4			
	K17			
	L4			
	L17			
	L20			
R4				
R17				
U6				
U10				
U11				
U14				
U15				
V3				
V18				
W2				
W19				

TERMINAL FUNCTIONS (continued)

SIGNAL NAME	PIN NO.	TYPE ⁽¹⁾	IPD/IPU ⁽²⁾	DESCRIPTION
	GDP			
GROUND PINS				
V _{SS}	A1 A2 A11 A14 A19 A20 B1 B4 B15 B20 C6 C8 C9 D4 D8 D13 D17 E2 E4 E17 F19 G4 G17 H4 H17 J4 J9 J10 J11 J12 K2 K9 K10 K11 K12 K20 L9 L10 L11 L12 M4 M9 M10 M11 M12 M17 N4 N17 P4 P17 P19 T4 T17 U4 U8 U9 U13 U17 U20 W1 W5 W11 W16 W20 Y1 Y2 Y13 Y19 Y20	GND	—	Ground pins ⁽¹⁾ . The center thermal balls (J9–J12, K9–K12, L9–L12, M9–M12) [shaded] are all tied to ground and act as both electrical grounds and thermal relief (thermal dissipation).

(1) Shaded pin numbers denote the center thermal balls.

6.1 Development Support

TI offers an extensive line of development tools for the TMS320C6000™ DSP platform, including tools to evaluate the performance of the processors, generate code, develop algorithm implementations, and fully integrate and debug software and hardware modules.

The following products support development of C6000™ DSP-based applications:

Software Development Tools

- Code Composer Studio™ Integrated Development Environment (IDE), including Editor
- C/C++/Assembly Code Generation, and Debug plus additional development tools
- Scalable, Real-Time Foundation Software (DSP/BIOS™), which provides the basic run-time target software needed to support any DSP application.

Hardware Development Tools

- Extended Development System (XDS™) Emulator (supports C6000 DSP multiprocessor system debug)
- EVM (evaluation module)

For a complete listing of development-support tools for the TMS320C6000 DSP platform, visit the Texas Instruments web site at www.ti.com. For information on pricing and availability, contact the nearest TI field sales office or authorized distributor.

6.2 Device and Development-Support Tool Nomenclature

To designate the stages in the product development cycle, TI assigns prefixes to the part numbers of all TMS320™ DSP devices and support tools. Each TMS320 DSP commercial family member has one of three prefixes: SMX, TMP, or SM/SMJ. TI recommends two of three possible prefix designators for support tools: TMDX and TMDS. These prefixes represent evolutionary stages of product development from engineering prototypes (SMX/TMDX) through fully qualified production devices/tools (SM/SMJ/TMDS).

6.2.1 Device Development Evolutionary Flow

SMX	Preproduction device that is not necessarily representative of the final device electrical specifications
TMP	Final silicon die that conforms to the device electrical specifications but has not completed quality and reliability verification
SM/SMJ	Fully qualified production device

6.2.2 Support Tool Development Evolutionary Flow

TMDX	Development-support product that has not yet completed Texas Instruments internal qualification testing
TMDS	Fully qualified development-support product

SMX and TMP devices and TMDX development-support tools are shipped with appropriate disclaimers describing their limitations and intended uses. Experimental devices (SMX) may not be representative of a final product and TI reserves the right to change or discontinue these products without notice.

SM/SMJ devices and TMDS development-support tools have been characterized fully, and the quality and reliability of the device have been demonstrated fully. TI's standard warranty applies.

Predictions show that prototype devices (SMX or TMP) have a greater failure rate than the standard production devices. TI recommends that these devices not be used in any production system because their expected end-use failure rate still is undefined. Only qualified production devices are to be used.

TI device nomenclature also includes a suffix with the device family name. This suffix indicates the package type (for example, **GDP**), the temperature range (for example, blank is the default commercial temperature range), and the device speed range in megahertz (for example, 20 is 200 MHz).

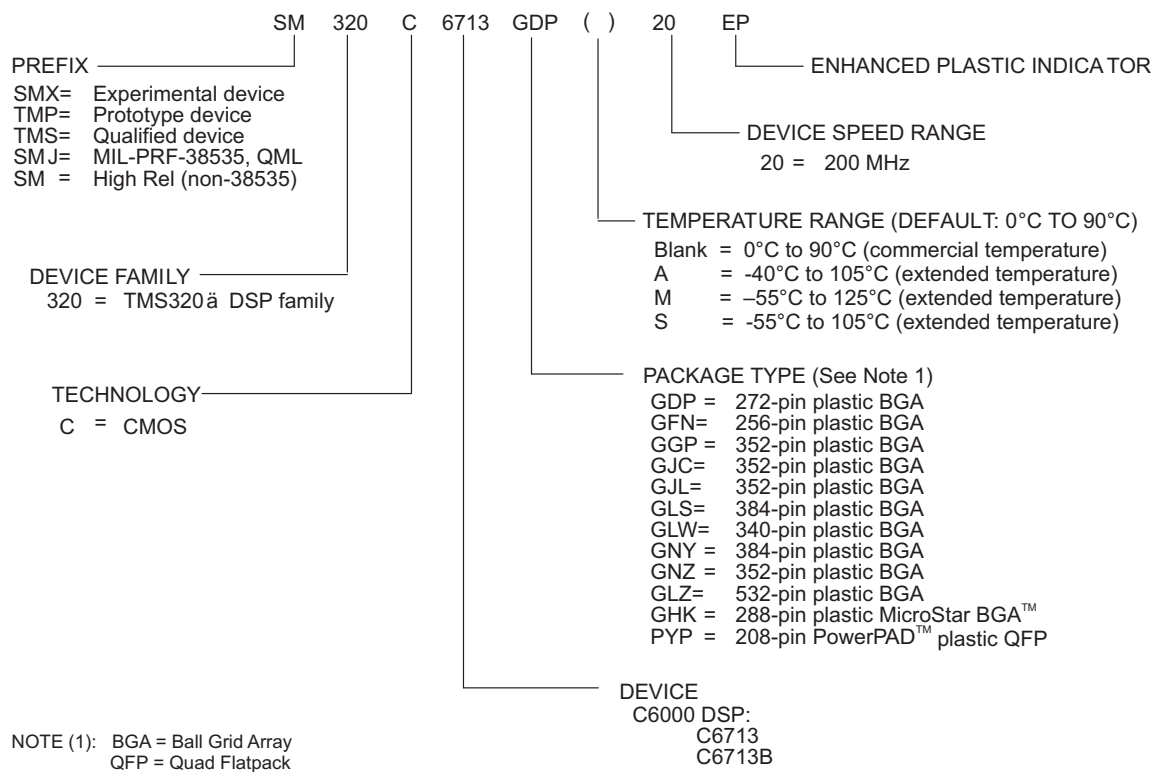
[Figure 6-1](#) provides a legend for reading the complete device name for any TMS320C6000 DSP family member.

Table 6-1. 320C6713 and C6713B Device Part Numbers (P/Ns) and Ordering Information⁽¹⁾

DEVICE ORDERABLE P/N ⁽²⁾	DEVICE SPEED	CORE AND I/O VOLTAGE		OPERATING CASE TEMPERATURE RANGE
		CV _{DD} (CORE)	DV _{DD} (I/O)	
C6713B				
SM32C6713BGDPA20EP	200 MHz/1200 MFlops	1.26 V	3.3 V	–40°C to 105°C
SM32C6713BGDPM30EP	300 MHz/1800 MFlops	1.4V	3.3V	–55°C to 125°C
SM32C6713BGDPS20EP	200 MHz/1200 MFlops	1.26 V	3.3 V	–55°C to 105°C

- (1) For the most current package and ordering information, see the Package Option Addendum at the end of this document, or see the TI Web site at www.ti.com.
 (2) Package drawings, standard packing quantities, thermal data, symbolization, and PCB design guidelines are available at www.ti.com/sc/package

6.3 Ordering Nomenclature



NOTE (1): BGA = Ball Grid Array
QFP = Quad Flatpack

For actual device part numbers (P/Ns) and ordering information, see the Mechanical Data section of this document or the TI website (www.ti.com).

Figure 6-1. TMS320C6000™ DSP Device Nomenclature (Including SM320C6713 and C6713B Devices)

6.4 Documentation Support

Extensive documentation supports all the TMS320 DSP family generations of devices from product announcement through applications development. The types of documentation available include data sheets, such as this document with design specifications complete user's reference guides for all devices and tools, technical briefs, development-support tools, on-line help, and hardware and software applications. The following is a brief, descriptive list of support documentation specific to the C6000 DSP devices, except where noted, all documents are accessible through the TI web site at www.ti.com.

- *TMS320C6000™ CPU and Instruction Set Reference Guide* (literature number [SPRU189](#)) describes the C6000 CPU (DSP core) architecture, instruction set, pipeline, and associated interrupts.

- *TMS320C6000™ DSP Peripherals Overview Reference Guide* [hereafter referred to as the *C6000 PRG Overview*] (literature number [SPRU190](#)) provides an overview and briefly describes the functionality of the peripherals available on the C6000 DSP platform of devices. This document also includes a table listing the peripherals available on the C6000 devices along with literature numbers and hyperlinks to the associated peripheral documents. These C6713/13B peripherals are similar to the peripherals on the TMS320C6711 and TMS320C64x devices; therefore, see the TMS320C6711 (C6711 or C67x) peripheral information and, in some cases (where indicated), see the TMS320C6711 (C6711 or C671x) peripheral information and, in some cases (where indicated), see the C64x information in the *C6000™ PRG Overview* (literature number [SPRU190](#)).
- *TMS320DA6000™ DSP Multichannel Audio Serial Port (McASP) Reference Guide* (literature number [SPRU041](#)) describes the functionality of the McASP peripherals available on the C6713/13B device.
- *TMS320C6000™ DSP Software-Programmable Phase-Locked Loop (PLL) Controller Reference Guide* (literature number [SPRU233](#)) describes the functionality of the PLL peripheral available on the C6713/13B device.
- *TMS320C6000™ DSP Inter-Integrated Circuit (I²C) Module Reference Guide* (literature number [SPRU175](#)) describes the functionality of the I²C peripherals available on the C6713/13B device.
- *The PowerPAD™ Thermally-Enhanced Package Technical Brief* (literature number [SLMA002](#)) focuses on the specifics of integrating a PowerPAD package into the printed circuit board (PCB) design to make optimum use of the thermal efficiencies designed into the PowerPAD package.
- *TMS320C6000™ Technical Brief* (literature number [SPRU197](#)) gives an introduction to the C62x™/C67x™ devices, associated development tools, and third-party support.
- *Migrating from TMS320C6211(B)/C6711(B) to TMS320C6713* application report (literature number [SPRA851](#)) indicates the differences and describes the issues of interest related to the migration from the TI TMS320C6211(B)/C6711(B) GFN package to the TMS320C6713 GDP package.
- *TMS320C6713, TMS320C6713B Digital Signal Processors Silicon Errata* (literature number [SPRZ191](#)) describes the known exceptions to the functional specifications for particular silicon revisions of the TMS320C6713 and TMS320C6713B devices.
- *TMS320C6713/12C/11C Power Consumption Summary* application report (literature number [SPRA889](#)) discusses the power consumption for user applications with the TMS320C6713/13B, TMS320C6712C/12D, and TMS320C6711C/11D DSP devices.
- *Using IBIS Models for Timing Analysis* application report (literature number [SPRA839](#)) describes how to properly use IBIS models to attain accurate timing analysis for a given system.

The tools support documentation is electronically available within the Code Composer Studio Integrated Development Environment (IDE). For a complete listing of C6000 DSP latest documentation, visit the Texas Instruments web site at www.ti.com. Also, see the TI web site for the application report, *How To Begin Development Today With the TMS320C6713 Floating-Point DSP* (literature number [SPRA809](#)), which describes in more detail the similarities/differences between the C6713 and C6711 C6000 DSP devices.

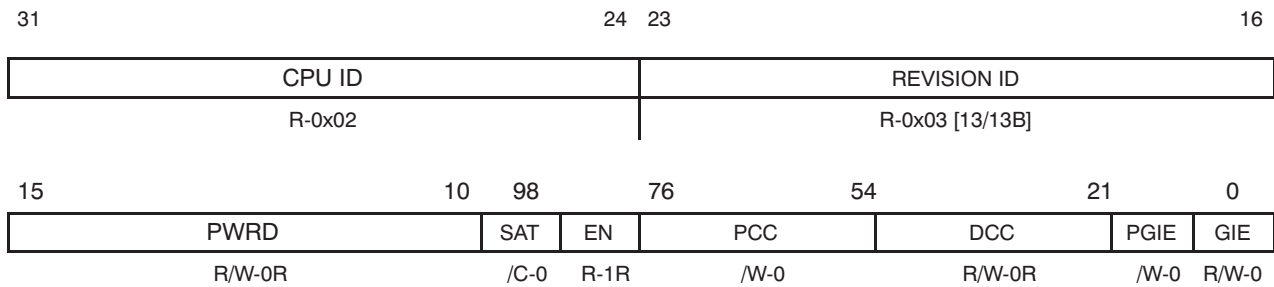
7 REGISTER INFORMATION

This section provides the register information for the device.

7.1 CPU Control Status Register (CSR) Description

The CPU CSR contains the CPU ID and CPU Revision ID (bits 16–31), as well as the status of the device power-down modes [PWRD field (bits 15–10)], program and data cache control modes, the endian bit (EN, bit 8), and the global interrupt enable (GIE, bit 0) and previous GIE (PGIE, bit 1). [Figure 7-1](#) and [Table 7-1](#) identify the bit fields in the CPU CSR.

For more detailed information on the bit fields in the CPU CSR, see the *TMS320C6000 DSP Peripherals Overview Reference Guide* (literature number [SPRU190](#)) and the *TMS320C6000 CPU and Instruction Set Reference Guide* (literature number [SPRU189](#)).



Legend: R = Readable by the MVC instruction, R/W = Readable/Writeable by the MVC instruction; W = Read/write; -n = value after reset, -x = undefined value after reset, C = Clearable by the MVC instruction

Figure 7-1. CPU Control Status Register (CPU CSR)

Table 7-1. CPU CSR Bit Field Description

Bit NO.	NAME	DESCRIPTION
31:24	CPU ID	CPU ID + REV ID. Read only. Identifies which CPU is used and defines the silicon revision of the CPU. CPU ID + REVISION ID (31:16) are combined for a value of: 0x0203 for C6713/13B
23:16	REVISION ID	
15:10	PWRD	Control power-down modes. The values are always read as zero. 000000 = No power down (default) 001001 = PD1, wake up by an enabled interrupt 010001 = PD1, wake up by an enabled or not enabled interrupt 011010 = PD2, wake up by a device reset 011100 = PD3, wake up by a device reset Others = Reserved
9	SAT	Saturate bit. Set when any unit performs a saturate. This bit can be cleared only by the MVC instruction and can be set only by a functional unit. The set by the a functional unit has priority over a clear (by the MVC instruction) if they occur on the same cycle. The saturate bit is set one full cycle (one delay slot) after a saturate occurs. This bit will not be modified by a conditional instruction whose condition is false.
8	EN	Endian bit. This bit is read-only. Depicts the device endian mode. 0 = Big Endian mode 1 = Little Endian mode [default]
7:5	PCC	Program cache control mode. L1D, Level 1 program cache 000/010 = Cache enabled/cache accessed and updated on reads All other PCC values are reserved.
4:2	DCC	Data cache control mode. L1D, Level 1 data cache 000/010 = Cache enabled/2-way cache All other DCC values are reserved.
1	PGIE	Previous GIE (global interrupt enable); saves the Global Interrupt Enable (GIE) when an interrupt is taken. Allows for proper nesting of interrupts. 0 = Previous GIE value is 0 (default). 1 = Previous GIE value is 1.
0	GIE	Global interrupt enable bit. Enables (1) or disables (0) all interrupts except the reset interrupt and NMI (nonmaskable interrupt). 0 = Disables all interrupts (except the reset interrupt and NMI) [default]. 1 = Enables all interrupts (except the reset interrupt and NMI).

7.2 Cache Configuration (CCFG) Register Description (13B)

The C6713B device includes an enhancement to the CCFG register. A P bit (CCFG.31) allows the programmer to select the priority of accesses to L2 memory originating from the transfer crossbar (TC) over accesses originating from the L1D memory system. An important class of TC accesses is EDMA transfers, which move data to or from the L2 memory. While the EDMA normally has no issue accessing L2 memory because of the high hit rates on the L1D memory system, there are pathological cases where certain CPU behavior could block the EDMA from accessing the L2 memory for long enough to cause a missed deadline when transferring data to a peripheral such as the McASP or McBSP. This can be avoided by setting the P bit to 1 because the EDMA will assume a higher priority than the L1D memory system when accessing L2 memory.

For more detailed information on the P-bit function and for silicon advisories concerning EDMA L2 memory accesses blocked, see the *TMS320C6713, TMS320C6713B Digital Signal Processors Silicon Errata* (literature number [SPRZ191](#)).

31	30	10	98	7	32	0
P ⁽¹⁾	Reserved	IP	ID	Reserved	L2MODE	
R/W-0	R-x	W-0	W-0	R-0 0000	R/W-000	

Legend: R = Readable; R/W = Readable/Writeable; -n = value after reset, -x = undefined value after reset

A: Unlike the C6713 device, the C6713B device includes a P bit.

A. Unlike the C6713 device, the C6713B device includes a P bit.

Figure 7-2. Cache Configuration (CCFG) Register

Table 7-2. CCFG Register Bit Field Description

BIT NO.	NAME	DESCRIPTION
31	P	L1D requestor priority to L2 bit P = 0: L1D requests to L2 higher priority than TC requests P = 1: TC requests to L2 higher priority than L1D requests
30:10	Reserved	Reserved. Read only, writes have no effect.
9	IP	Invalidate L1P bit 0 = Normal L1P operation 1 = All L1P lines are invalidated
8	ID	Invalidate L1D bit 0 = Normal L1D operation 1 = All L1D lines are invalidated
7:3	Reserved	Reserved. Read only, writes have no effect.
2:0	L2MODE	L2 operation mode bits (L2MODE) 000b = L2 cache disabled (All SRAM mode) [256K SRAM] 001b = 1-way cache (16K L2 cache) / [240K SRAM] 010b = 2-way cache (32K L2 cache) / [224K SRAM] 011b = 3-way cache (48K L2 cache) / [208K SRAM] 111b = 4-way cache (64K L2 cache) / [192K SRAM] All others are reserved.

7.3 Interrupts and Interrupt Selector

The C67x DSP core supports 16 prioritized interrupts, which are listed in [Table 7-3](#). The highest priority interrupt is INT_00 (dedicated to RESET), while the lowest priority is INT_15. The first four interrupts are non-maskable and fixed. The remaining interrupts (4–15) are maskable and default to the interrupt source listed in [Table 7-3](#). However, their interrupt source may be reprogrammed to any one of the sources listed in [Table 7-4](#) (Interrupt Selector). [Table 7-4](#) lists the selector value corresponding to each of the alternate interrupt sources. The selector choice for interrupts 4–15 is made by programming the corresponding fields (listed in [Table 7-3](#)) in the MUXH (address 0x019C0000) and MUXL (address 0x019C0004) registers.

Table 7-3. DSP Interrupts

DSP INTERRUPT NUMBER	INTERRUPT SELECTOR CONTROL REGISTER	DEFAULT SELECTOR VALUE (BINARY)	DEFAULT INTERRUPT EVENT
INT_00	—	—	RESET
INT_01	—	—	NMI
INT_02	—	—	Reserved
INT_03	—	—	Reserved

Table 7-3. DSP Interrupts (continued)

DSP INTERRUPT NUMBER	INTERRUPT SELECTOR CONTROL REGISTER	DEFAULT SELECTOR VALUE (BINARY)	DEFAULT INTERRUPT EVENT
INT_04	MUXL[4:0]	00100	GPINT4 ⁽¹⁾
INT_05	MUXL[9:5]	00101	GPINT5 ⁽¹⁾
INT_06	MUXL[14:10]	00110	GPINT6 ⁽¹⁾
INT_07	MUXL[20:16]	00111	GPINT7 ⁽¹⁾
INT_08	MUXL[25:21]	01000	EDMAINT
INT_09	MUXL[30:26]	01001	EMUDDTMA
INT_10	MUXH[4:0]	00011	SDINT
INT_11	MUXH[9:5]	01010	EMURTDXR
INT_12	MUXH[14:10]	01011	EMURTDXTX
INT_13	MUXH[20:16]	00000	DSPINT
INT_14	MUXH[25:21]	00001	TINT0
INT_15	MUXH[30:26]	00010	TINT1

- (1) Interrupt events GPINT4, GPINT5, GPINT6, and GPINT7 are outputs from the GPIO module (GP). They originate from the device pins GP[4](EXT_INT4)/AMUTEIN1, GP[5](EXT_INT5)/AMUTEIN0, GP[6](EXT_INT6), and GP[7](EXT_INT7). These pins can be used as edge-sensitive EXT_INTx with polarity controlled by the External Interrupt Polarity Register (EXTPOL.[3:0]). The corresponding pins must first be enabled in the GPIO module by setting the corresponding enable bits in the GP Enable Register (GPEN.[7:4]), and configuring them as inputs in the GP Direction Register (GPDIR.[7:4]). These interrupts can be controlled through the GPIO module in addition to the simple EXTPOL.[3:0] bits. For more information on interrupt control via the GPIO module, see the *TMS320C6000™ DSP General-Purpose Input/Output (GPIO) Reference Guide* (literature number [SPRU584](#)).

Table 7-4. Interrupt Selector

INTERRUPT SELECTOR VALUE (BINARY)	INTERRUPT EVENT	MODULE
00000	DSPINT	HPI
00001	TINT0	Timer 0
00010	TINT1	Timer 1
00011	SDINT	EMIF
00100	GPINT4 ⁽¹⁾	GPIO
00101	GPINT5 ⁽¹⁾	GPIO
00110	GPINT6 ⁽¹⁾	GPIO
00111	GPINT7 ⁽¹⁾	GPIO
01000	EDMAINT	EDMA
01001	EMUDDMA	Emulation
01010	EMURDXRX	Emulation
01011	EMURDXTX	Emulation
01100	XINT0	McBSP0
01101	RINT0	McBSP0
01110	XINT1	McBSP1
01111	RINT1	McBSP1
10000	GPINT0	GPIO
10001	Reserved	—
10010	Reserved	—
10011	Reserved	—
10100	Reserved	—
10101	Reserved	—
10110	I2CINT0	I2C0
10111	I2CINT1	I2C1
11000	Reserved	—
11001	Reserved	—
11010	Reserved	—
11011	Reserved	—
11100	AXINT0	McASP0
11101	ARINT0	McASP0
11110	AXINT1	McASP1
11111	ARINT1	McASP1

(1) Interrupt events GPINT4, GPINT5, GPINT6, and GPINT7 are outputs from the GPIO module (GP). They originate from the device pins GP[4](EXT_INT4)/AMUTEIN1, GP[5](EXT_INT5)/AMUTEIN0, GP[6](EXT_INT6), and GP[7](EXT_INT7). These pins can be used as edge-sensitive EXT_INTx with polarity controlled by the External Interrupt Polarity Register (EXTPOL.[3:0]). The corresponding pins must first be enabled in the GPIO module by setting the corresponding enable bits in the GP Enable Register (GPEN.[7:4]), and configuring them as inputs in the GP Direction Register (GPDIR.[7:4]). These interrupts can be controlled through the GPIO module in addition to the simple EXTPOL.[3:0] bits. For more information on interrupt control via the GPIO module, see the *TMS320C6000™ DSP General-Purpose Input/Output (GPIO) Reference Guide* (literature number [SPRU584](#)).

7.4 External Interrupt Sources

The C6713/13B device supports many external interrupt sources as indicated in [Table 7-5](#). Control of the interrupt source is done by the associated module and is made available by enabling the corresponding binary interrupt selector value (see [Table 7-4](#) shaded rows). Because of pin multiplexing and module usage, not all external interrupt sources are available at the same time.

Table 7-5. External Interrupt Sources and Peripheral Module Control

PIN NAME	INTERRUPT EVENT	MODULE
GP[15]	GPINT0	GPIO
GP[14]	GPINT0	GPIO
GP[13]	GPINT0	GPIO
GP[12]	GPINT0	GPIO
GP[11]	GPINT0	GPIO
GP[10]	GPINT0	GPIO
GP[9]	GPINT0	GPIO
GP[8]	GPINT0	GPIO
GP[7]	GPINT0 or GPINT7	GPIO
GP[6]	GPINT0 or GPINT6	GPIO
GP[5]	GPINT0 or GPINT5	GPIO
GP[4]	GPINT0 or GPINT4	GPIO
GP[3]	GPINT0	GPIO
GP[2]	GPINT0	GPIO
GP[1]	GPINT0	GPIO
GP[0]	GPINT0	GPIO

7.5 EDMA Module and EDMA Selector

The C67x EDMA supports up to 16 EDMA channels. Four of the 16 channels (channels 8–11) are reserved for EDMA chaining, leaving 12 EDMA channels available to service peripheral devices.

The EDMA selector registers that control the EDMA channels servicing peripheral devices are located at addresses 0x01A0FF00 (ESEL0), 0x01A0FF04 (ESEL1), and 0x01A0FF0C (ESEL3). These EDMA selector registers control the mapping of the EDMA events to the EDMA channels. Each EDMA event has an assigned EDMA selector code (see [Table 7-7](#)). By loading each EVTSELx register field with an EDMA selector code, users can map any desired EDMA event to any specified EDMA channel. [Table 7-6](#) lists the default EDMA selector value for each EDMA channel.

See [Table 7-8](#) and [Table 7-11](#) for the EDMA Event Selector registers and their associated bit descriptions.

Table 7-6. EDMA Channels

EDMA CHANNEL	EDMA SELECTOR CONTROL REGISTER	DEFAULT SELECTOR VALUE (BINARY)	DEFAULT EDMA EVENT
0	ESEL0[5:0]	000000	DSPINT
1	ESEL0[13:8]	000001	TINT0
2	ESEL0[21:16]	000010	TINT1
3	ESEL0[29:24]	000011	SDINT
4	ESEL1[5:0]	000100	GPINT4
5	ESEL1[13:8]	000101	GPINT5
6	ESEL1[21:16]	000110	GPINT6
7	ESEL1[29:24]	000111	GPINT7
8	—	—	TCC8 (Chaining)
9	—	—	TCC9 (Chaining)
10	—	—	TCC10 (Chaining)
11	—	—	TCC11 (Chaining)
12	ESEL3[5:0]	001100	XEVT0
13	ESEL3[13:8]	001101	REVT0
14	ESEL3[21:16]	001110	XEVT1
15	ESEL3[29:24]	001111	REVT1

Table 7-7. EDMA Selector

EDMA SELECTOR CODE (BINARY)	EDMA EVENT	MODULE
000000	DSPINT	HPI
000001	TINT0	TIMER0
000010	TINT1	TIMER1
000011	SDINT	EMIF
000100	GPINT4	GPIO
000101	GPINT5	GPIO
000110	GPINT6	GPIO
000111	GPINT7	GPIO
001000	GPINT0	GPIO
001001	GPINT1	GPIO
001010	GPINT2	GPIO
001011	GPINT3	GPIO
001100	XEVT0	McBSP0
001101	REVT0	McBSP0
001110	XEVT1	McBSP1
001111	REVT1	McBSP1
010000–011111	Reserved	
100000	AXEVTE0	McASP0
100001	AXEVTO0	McASP0
100010	AXEVT0	McASP0
100011	AREVTE0	McASP0
100100	AREVTO0	McASP0
100101	AREVT0	McASP0
100110	AXEVTE1	McASP1
100111	AXEVTO1	McASP1
101000	AXEVT1	McASP1
101001	AREVTE1	McASP1
101010	AREVTO1	McASP1
101011	AREVT1	McASP1
101100	I2CREVT0	I2C0
101101	I2CXEVT0	I2C0
101110	I2CREVT1	I2C1
101111	I2CXEVT1	I2C1
110000	GPINT8	GPIO
110001	GPINT9	GPIO
110010	GPINT10	GPIO
110011	GPINT11	GPIO
110100	GPINT12	GPIO
110101	GPINT13	GPIO
110110	GPINT14	GPIO
110111	GPINT15	GPIO
111000–111111	Reserved	

Table 7-8. EDMA Event Selector Registers (ESEL0 Register (0x01A0 FF00))

31	30	29	28	27	24	23	22	21	20	19	16
Reserved		EVTSEL3				Reserved		EVTSEL2			
R-0		R/W-00 0011b				R-0		R/W-00 0010b			
15	14	13	12	11	8	7	6	5	4	3	0
Reserved		EVTSEL1				Reserved		EVTSEL0			
R-0		R/W-00 0001b				R-0		R/W-00 0000b			

Legend: R = Read only, R/W = Read/write, -n = value at reset

Table 7-9. EDMA Event Selector Registers—ESEL1 Register (0x01A0 FF04)

31	30	29	28	27	24	23	22	21	20	19	16
Reserved		EVTSEL7				Reserved		EVTSEL6			
R-0		R/W-00 0111b				R-0		R/W-00 0110b			
15	14	13	12	11	8	7	6	5	4	3	0
Reserved		EVTSEL5				Reserved		EVTSEL4			
R-0		R/W-00 0101b				R-0		R/W-00 0100b			

Legend: R = Read only, R/W = Read/write, -n = value at reset

Table 7-10. EDMA Event Selector Registers—ESEL3 Register (0x01A0 FF0C)

31	30	29	28	27	24	23	22	21	20	19	16
Reserved		EVTSEL15				Reserved		EVTSEL14			
R-0		R/W-00 1111b				R-0		R/W-00 1110b			
15	14	13	12	11	8	7	6	5	4	3	0
Reserved		EVTSEL13				Reserved		EVTSEL12			
R-0		R/W-00 1101b				R-0		R/W-00 1100b			

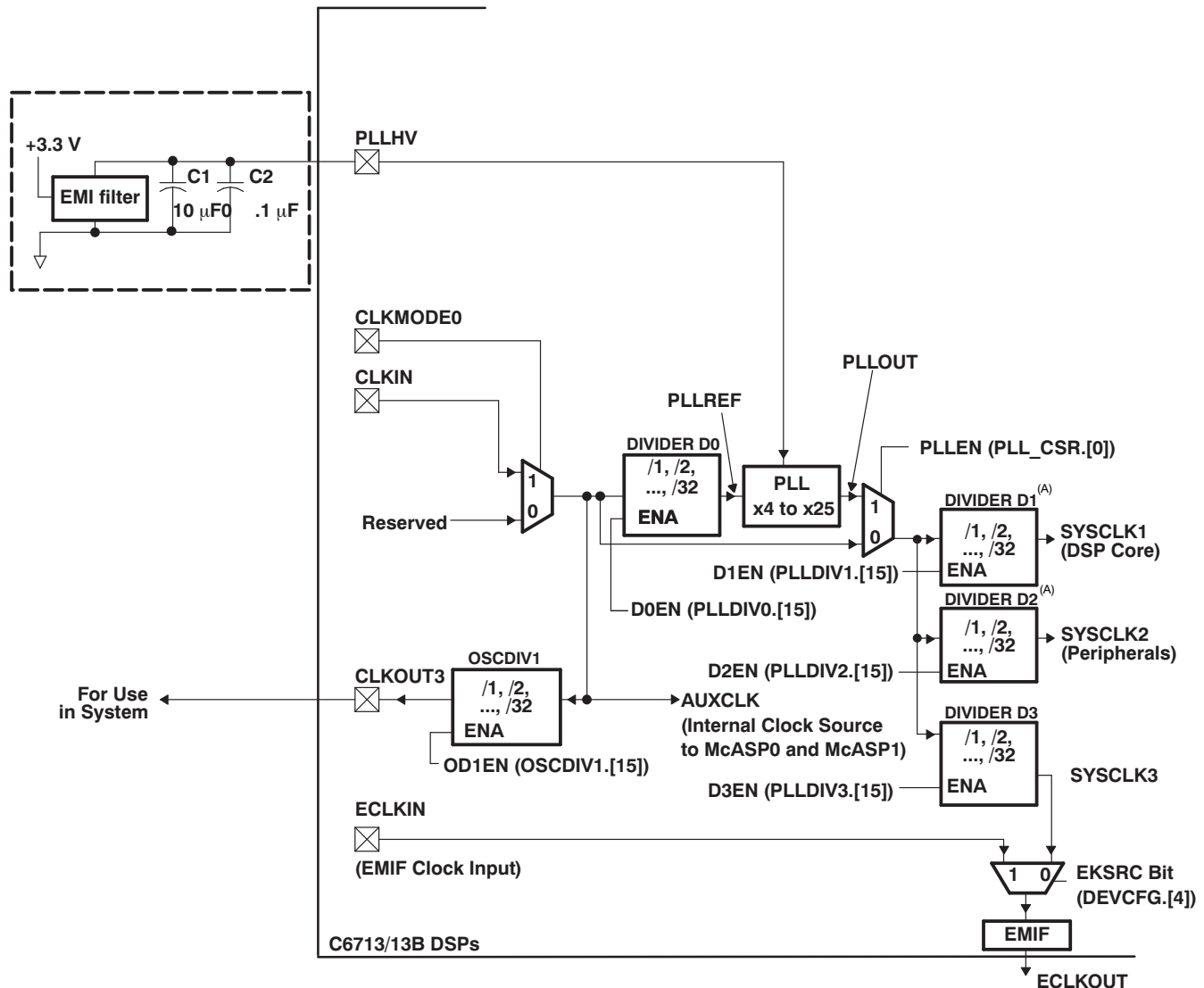
Legend: R = Read only, R/W = Read/write, -n = value at reset

Table 7-11. EDMA Event Selection Registers (ESEL0, ESEL1, and ESEL3) Description

BIT NO.	NAME	DESCRIPTION
31:30 23:22 15:14 7:6	Reserved	Reserved. Read only, writes have no effect.
29:24 21:16 13:8 5:0	EVTSELx	EDMA event selection bits for channel x. Allows mapping of the EDMA events to the EDMA channels. The EVTSEL0 through EVTSEL15 bits correspond to channels 0 to 15, respectively. These EVTSELx fields are user selectable. By configuring the EVTSELx fields to the EDMA selector value of the desired EDMA sync event number (see Table 7-7), users can map any EDMA event to the EDMA channel. For example, if EVTSEL15 is programmed to 00 0001b (the EDMA selector code for TINT0), channel 15 is triggered by Timer 0 TINT0 events.

8 PLL and PLL Controller

The 320C6713/13B includes a PLL and a flexible PLL controller peripheral consisting of a prescaler (D0) and four dividers (OSCDIV1, D1, D2, and D3). The PLL controller is able to generate different clocks for different parts of the system (that is, DSP core, peripheral data bus, external memory interface, McASP, and other peripherals). Figure 8-1 shows the PLL, the PLL controller, and the clock generator logic.



- Dividers D1 and D2 must never be disabled. Never write a '0' to the D1EN or D2EN bits in the PLLDIV1 and PLLDIV2 registers.
- Place all PLL external components (C1, C2, and the EMI filter) as close to the C67x DSP device as possible. For the best performance, TI recommends that all the PLL external components be on a single side of the board without jumpers, switches, or components other than the ones shown.
- For reduced PLL jitter, maximize the spacing between switching signals and the PLL external components (C1, C2, and the EMI filter).
- The 3.3-V supply for the EMI filter must be from the same 3.3-V power plane supplying the I/O voltage, DV_{DD} .
- EMI filter manufacturer TDK part number ACF451832-333, -223, -153, -103. Panasonic part number EXCCET103U.

Figure 8-1. PLL and Clock Generator Logic

8.1 PLL Registers

The PLL reset time is the amount of wait time needed when resetting the PLL (writing PLLRST = 1), for the PLL to properly reset, before bringing the PLL out of reset (writing PLLRST = 0). For the PLL reset time value, see [Table 8-1](#). The PLL lock time is the amount of time from when PLLRST = 0 with PLEN = 0 (PLL out of reset, but still bypassed) to when the PLEN bit can be safely changed to 1 (switching from bypass to the PLL path); see [Table 8-1](#) and [Figure 8-1](#).

Under some operating conditions, the maximum PLL lock time may vary from the specified typical value. For the PLL lock time values, see [Table 8-1](#).

Table 8-1. PLL Lock and Reset Times

	MIN	TYP	MAX	UNIT
PLL lock time		75	187.5	µs
PLL reset time	125			ns

[Table 8-2](#) shows the C6713/13B device CLKOUT signals, how and by what register control bits they are derived, and what is the default settings. For more details on the PLL, see the PLL and Clock Generator Logic diagram ([Figure 8-1](#)).

Table 8-2. CLKOUT Signals, Default Settings, and Control

CLOCK OUTPUT SIGNAL NAME	DEFAULT SETTING (ENABLED or DISABLED)	CONTROL BIT(s) (Register)	DESCRIPTION
CLKOUT2	ON (ENABLED)	D2EN = 1 (PLLDIV2.[15]) CK2EN = 1 (EMIF GBLCTL.[3])	SYSClk2 selected [default]
CLKOUT3	ON (ENABLED)	OD1EN = 1 (OSCDIV1.[15])	Derived from CLKIN
ECLKOUT	ON (ENABLED); derived from SYSClk3	EKSRC = 0 (DEVCFG.[4]) EKEN = 1 (EMIF GBLCTL.[5])	SYSClk3 selected [default]. To select ECLKIN source: EKSRC = 1 (DEVCFG.[4]) and EKEN = 1 (EMIF GBLCTL.[5])

The input clock (CLKIN) is directly available to the McASP modules as AUXCLK for use as an internal high-frequency clock source. The input clock (CLKIN) may also be divided down by a programmable divider OSCDIV1 (/1, /2, /3, ..., /32) and output on the CLKOUT3 pin for other use in the system.

[Figure 8-1](#) shows that the input clock source may be divided down by divider PLLDIV0 (/1, /2, ..., /32) and then multiplied up by a factor of x4, x5, x6, and so on, up to x25.

Either the input clock (PLEN = 0) or the PLL output (PLEN = 1) then serves as the high-frequency reference clock for the rest of the DSP system. The DSP core clock, the peripheral bus clock, and the EMIF clock may be divided down from this high-frequency clock (each with a unique divider). For example, with a 30-MHz input if the PLL output is configured for 450 MHz, the DSP core may be operated at 225 MHz (/2), while the EMIF may be configured to operate at a rate of 75 MHz (/6). Note that there is a specific minimum and maximum reference clock (PLLREF) and output clock (PLLOUT) for the block labeled PLL in [Figure 8-1](#), as well as for the DSP core, peripheral bus, and EMIF. The clock generator must not be configured to exceed any of these constraints (certain combinations of external clock input, internal dividers, and PLL multiply ratios might not be supported). See [Table 8-3](#) for the PLL clocks input and output frequency ranges.

Table 8-3. PLL Clock Frequency Ranges^{(1) (2)}

CLOCK SIGNAL	MIN	MAX	UNIT
PLLREF (PLLEN = 1)	12	100	MHz
PLLOUT	140	600	MHz
SYSCLK1	—	Device speed (DSP core)	MHz
SYSCLK3 (EKSRC = 0)	—	100	MHz
AUXCLK	—	50 ⁽³⁾	MHz

- (1) SYSCLK2 rate **must** be exactly half of SYSCLK1.
- (2) See also the Electrical Specification (timing requirements and switching characteristics parameters) in the [Input and Output Clocks](#) section of this data sheet.
- (3) When the McASP module is *not* used, the AUXCLK maximum frequency can be any frequency up to the CLKIN maximum frequency.

The EMIF itself may be clocked by an external reference clock via the ECLKIN pin or can be generated on-chip as SYSCLK3. SYSCLK3 is derived from divider D3 off of PLLOUT (see [Figure 8-1](#)). The EMIF clock selection is programmable via the EKSRC bit in the DEVCFG register.

The settings for the PLL multiplier and each of the dividers in the clock generation block may be reconfigured via software at run time. If either the input to the PLL changes due to D0, CLKMODE0, or CLKIN, or if the PLL multiplier is changed, then software must enter bypass first and stay in bypass until the PLL has had enough time to lock (see electrical specifications). For the programming procedure, see the *TMS320C6000™ DSP Software-Programmable Phase-Locked Loop (PLL) Controller Reference Guide* (literature number [SPRU233](#)).

SYSCLK2 is the internal clock source for peripheral bus control. SYSCLK2 (Divider D2) **must** be programmed to be half of the SYSCLK1 rate. For example, if D1 is configured to divide-by-2 mode (/2), then D2 **must** be programmed to divide-by-4 mode (/4). SYSCLK2 is also tied directly to CLKOUT2 pin (see [Figure 8-1](#)).

During the programming transition of Divider D1 and Divider D2 (resulting in SYSCLK1 and SYSCLK2 output clocks, see [Figure 8-1](#)), the order of programming the PLLDIV1 and PLLDIV2 registers must be observed to ensure that SYSCLK2 always runs at half the SYSCLK1 rate or slower. For example, if the divider ratios of D1 and D2 are to be changed from /1, /2 (respectively) to /5, /10 (respectively) then, the PLLDIV2 register must be programmed before the PLLDIV1 register. The transition ratios become /1, /2; /1, /10; and then /5, /10. If the divider ratios of D1 and D2 are to be changed from /3, /6 to /1, /2, then the PLLDIV1 register must be programmed before the PLLDIV2 register. The transition ratios, for this case, become /3, /6; /1, /6; and then /1, /2. The final SYSCLK2 rate **must** be exactly half of the SYSCLK1 rate.

Note that Divider D1 and Divider D2 must **always** be enabled (that is, D1EN and D2EN bits are set to 1 in the PLLDIV1 and PLLDIV2 registers).

The PLL Controller registers should be modified only by the CPU or via emulation. The HPI should **not** be used to directly access the PLL Controller registers.

For detailed information on the clock generator (PLL Controller registers) and the associated software bit descriptions, see [Table 8-4](#) through [Table 8-11](#).

Table 8-4. PLL Control/Status Register (PLLCSR) (0x01B7 C100)

31	28	27	24	23	20	19	16				
Reserved											
R-0											
15	12	11	8	7	6	5	4	3	2	1	0
Reserved				Stable	Reserved	PLLRS T	Reserv ed	PLLWRD N	PLEN		
R-0				R-x	R-0	RW-1	R/W-0	R/W-0b	RW-0		

Legend: R = Read only, R/W = Read/write, -n = value at reset

Table 8-5. PLL Control/Status Register (PLLCSR) Description

BIT NO.	NAME	DESCRIPTION
31:7	Reserved	Reserved. Read only, writes have no effect.
6	STABLE	Clock input stable. This bit indicates if the clock input has stabilized. 0: Clock input not yet stable. Clock counter is not finished counting (default). 1: Clock input stable
5:4	Reserved	Reserved. Read only, writes have no effect.
3	PLLRS T	Asserts RESET to PLL 0: PLL reset released 1: PLL reset asserted (default)
2	Reserved	Reserved. The user must write a 0 to this bit.
1	PLLWRD N	Select PLL power down 0: PLL operational (default) 1: PLL placed in power-down state
0	PLEN	PLL mode enable 0: Bypass mode (default). PLL disabled Divider D0 and PLL are bypassed. SYSCLK1/SYSCLK2/SYSCLK3 are divided down directly from input reference clock. 1: PLL enabled Divider D0 and PLL are not bypassed. SYSCLK1/SYSCLK2/SYSCLK3 are divided down from PLL output.

Table 8-6. PLL Multiplier (PLLM) Control Register (0x01B7 C110)

31	28	27	24	23	20	19	16
Reserved							
R-0							
15	12	11	8	7	5	4	0
Reserved						PLLM	
R-0						R/W-0 0111	

Legend: R = Read only, R/W = Read/write, -n = value at reset

Table 8-7. PLL Multiplier (PLLM) Control Register Description

BIT NO.	NAME	DESCRIPTION
31:5	Reserved	Reserved. Read only, writes have no effect.
4:0	PLLM	PLL multiply mode [default is x7 (0 0111)] 00000 = Reserved 10000 = x16 00001 = Reserved 10001 = x17 00010 = Reserved 10010 = x18 00011 = Reserved 10011 = x19 00100 = x4 10100 = x20 00101 = x5 10101 = x21 00110 = x6 10110 = x22 00111 = x7 10111 = x23 01000 = x8 11000 = x24 01001 = x9 11001 = x25 01010 = x10 11010 = Reserved 01011 = x11 11011 = Reserved 01100 = x12 11100 = Reserved 01101 = x13 11101 = Reserved 01110 = x14 11110 = Reserved 01111 = x15 11111 = Reserved PLLM select values 00000 through 00011 and 11010 through 11111 are <i>not</i> supported.

Table 8-8. PLL Wrapper Divider x Registers (PLLDIV0, PLLDIV1, PLLDIV2, and PLLDIV3) (0x01B7 C114, 0x01B7 C118, 0x01B7 C11C, and 0x01B7 C120, respectively)

31	28	27	24	23	20	19	16
Reserved							
R-0							
15	14	12	11	8	7	5	4
DxEN	Reserved					PLLDIVx	
R/W-1	R-0					R/W-x xxxx ⁽¹⁾	

Legend: R = Read only, R/W = Read/write, -n = value at reset

- (1) Default values for the PLLDIV0, PLLDIV1, PLLDIV2, and PLLDIV3 bits are /1 (0 0000), /1 (0 0000), /2 (0 0001), and /2 (0 0001), respectively.

CAUTION

D1 and D2 should never be disabled. D3 should only be disabled if ECLKIN is used.

Table 8-9. PLL Wrapper Divider x Registers (Prescaler Divider D0 and Post-Scaler Dividers D1, D2, and D3) Description⁽¹⁾

BIT NO.	NAME	DESCRIPTION
31:16	Reserved	Reserved. Read only, writes have no effect.
15	DxEN	Divider Dx enable (where x denotes 0 through 3). 0: Divider x disabled. No clock output 1: Divider x enabled (default) These divider-enable bits are device specific and must be set to 1 to enable.
14:5	Reserved	Reserved. Read only, writes have no effect.

- (1) Note that SYSCLK2 *must* run at half the rate of SYSCLK1. Therefore, the divider ratio of D2 must be two times slower than D1. For example, if D1 is set to /2, then D2 must be set to /4.

**Table 8-9. PLL Wrapper Divider x Registers
(Prescaler Divider D0 and Post-Scaler Dividers D1, D2, and D3) Description ⁽¹⁾ (continued)**

BIT NO.	NAME	DESCRIPTION	
4:0	PLLDIVx	PLL divider ratio (default values for the PLLDIV0, PLLDIV1, PLLDIV2, and PLLDIV3 bits are /1, /1, /2, and /2, respectively).	
		00000 = /1	10000 = /17
		00001 = /2	10001 = /18
		00010 = /3	10010 = /19
		00011 = /4	10011 = /20
		00100 = /5	10100 = /21
		00101 = /6	10101 = /22
		00110 = /7	10110 = /23
		00111 = /8	10111 = /24
		01000 = /9	11000 = /25
		01001 = /10	11001 = /26
		01010 = /11	11010 = /27
		01011 = /12	11011 = /28
		01100 = /13	11100 = /29
		01101 = /14	11101 = /30
		01110 = /15	11110 = /31
01111 = /16	11111 = /32		

Table 8-10. Oscillator Divider 1 (OSCDIV1) Register (0x01B7 C124)

31	28	27			24	23			20	19				16
Reserved														
R-0														
15	14	12	11		8	7		5	4					0
OD1EN	Reserved										OSCDIV1			
R/W-1	R-0										R/W-0 0111			

Legend: R = Read only, R/W = Read/write, -n = value at reset

Table 8-11. Oscillator Divider 1 (OSCDIV1) Register Description

BIT NO.	NAME	DESCRIPTION
31:16	Reserved	Reserved. Read-only; writes have no effect.
15	OD1EN	Oscillator Divider 1 enable. 0: Oscillator Divider 1 disabled 1: Oscillator Divider 1 enabled (default)
14:5	Reserved	Reserved. Read only, writes have no effect.
4:0	OSCDIV1	Oscillator Divider 1 ratio [default is /8 (0 0111)] 0000 = /1 10000 = /17 00001 = /2 10001 = /18 00010 = /3 10010 = /19 00011 = /4 10011 = /20 00100 = /5 10100 = /21 00101 = /6 10101 = /22 00110 = /7 10110 = /23 00111 = /8 10111 = /24 01000 = /9 11000 = /25 01001 = /10 11001 = /26 01010 = /11 11010 = /27 01011 = /12 11011 = /28 01100 = /13 11100 = /29 01101 = /14 11101 = /30 01110 = /15 11110 = /31 01111 = /16 11111 = /32

9 MULTICHANNEL AUDIO SERIAL PORT (McASP) PERIPHERALS

The 320C6713/13B device includes two multichannel audio serial port (McASP) interface peripherals (McASP1 and McASP0). The McASP is a serial port optimized for the needs of multichannel audio applications. With two McASP peripherals, the 320C6713/13B device is capable of supporting two completely independent audio zones simultaneously.

Each McASP consists of a transmit and receive section. These sections can operate completely independently with different data formats, separate master clocks, bit clocks, and frame syncs or alternatively, the transmit and receive sections may be synchronized. Each McASP module also includes a pool of 16 shift registers that may be configured to operate as either transmit data, receive data, or general-purpose I/O (GPIO).

The transmit section of the McASP can transmit data in either a time division multiplexed (TDM) synchronous serial format or in a digital audio interface (DIT) format where the bit stream is encoded for S/PDIF, AES-3, IEC-60958, and CP-430 transmission. The receive section of the McASP supports the TDM synchronous serial format.

Each McASP can support one transmit data format (either a TDM format or DIT format) and one receive format at a time. All transmit shift registers use the same format and all receive shift registers use the same format. However, the transmit and receive formats need not be the same.

Both the transmit and receive sections of the McASP also support burst mode, which is useful for non-audio data (for example, passing control information between two DSPs).

The McASP peripherals have additional capability for flexible clock generation, and error detection/handling, as well as error management.

9.1 McASP Block Diagram

[Figure 9-1](#) shows the major blocks along with external signals of the 320C6713/13B McASP1 and McASP0 peripherals, and shows the eight serial data [AXR] pins for each McASP. Each McASP also includes full general-purpose I/O (GPIO) control, so any pins not needed for serial transfers can be used for general-purpose I/O.

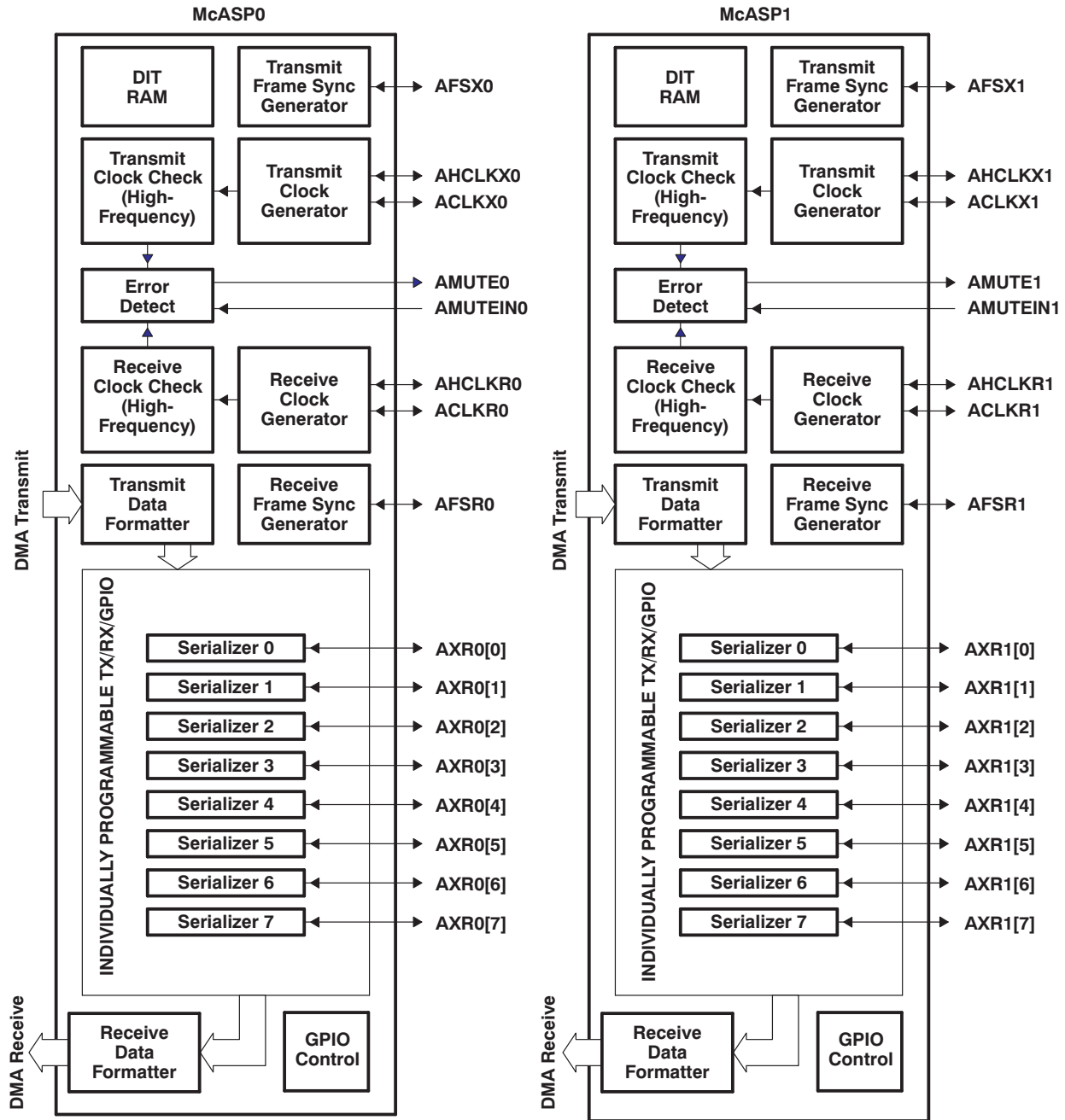


Figure 9-1. McASP0 and McASP1 Configuration

9.2 Multichannel Time Division Multiplexed (TDM) Synchronous Transfer Mode

The McASP supports a multichannel TDM synchronous transfer mode for both transmit and receive. Within this transfer mode, a wide variety of serial data formats are supported, including formats compatible with devices using the Inter-Integrated Sound (IIS) protocol.

TDM synchronous transfer mode is typically used when communicating between integrated circuits, such as between a DSP and one or more ADC, DAC, codec, or S/PDIF receiver devices. In multichannel applications, it is typical to find several devices operating synchronized with each other. For example, to provide six analog outputs, three stereo DAC devices would be driven with the same bit clock and frame sync, but each stereo DAC would use a different McASP serial data pin carrying stereo data (two TDM time slots, left and right).

The TDM synchronous serial transfer mode utilizes several control signals and one or more serial data signals:

- A bit clock signal (ACLKX for transmit, ACKLR for receive)
- A frame sync signal (AFSX for transmit, AFSR for receive)
- An (optional) high-frequency master clock (AHCLKX for transmit, AHCLKR for receive) from which the bit clock is derived
- One or more serial data pins (AXR for transmit and for receive)

Except for the optional high-frequency master clock, all of the signals in the TDM synchronous serial transfer mode protocol are synchronous to the bit clocks (ACLKX and ACKLR).

In the TDM synchronous transfer mode, the McASP continually transmits and receives data periodically (since audio ADCs and DACs operate at a fixed-data rate). The data is organized into frames, and the beginning of a frame is marked by a frame sync pulse on the AFSX, AFSR pin.

In a typical audio system, one frame is transferred per sample period. To support multiple channels, the choices are to either include more time slots per frame (and therefore operate with a higher bit clock) or to keep the bit clock period constant and use additional data pins to transfer the same number of channels. For example, a particular six-channel DAC might require three McASP serial data pins; transferring two channels of data on each serial data pin during each sample period (frame). Another similar DAC may be designed to use only a single McASP serial data pin, but clocked three times faster and transferring six channels of data per sample period. The McASP is flexible enough to support either type of DAC, but a transmitter cannot be configured to do both at the same time.

For multiprocessor applications, the McASP supports any number of time slots per frame (between 2 and 32), and includes the ability to disable transfers during specific time slots.

In addition, to support S/PDIF, AES-3, IEC-60958, and CP-430 receiver chips whose natural block (McASP frame) size is 384 samples; the McASP receiver supports a 384 time slot mode. The advantage to using the 384 time slot mode is that interrupts may be generated synchronous to the S/PDIF, AES-3, IEC-60958, and CP-430 receivers; for example, the last slot interrupt.

9.3 Burst Transfer Mode

The McASP also supports a burst transfer mode, which is useful for non-audio data (for example, passing control information between two DSPs). Burst transfer mode uses a synchronous serial format similar to TDM, except the frame sync is generated for each data word transferred. In addition, frame sync generation is not periodic or time driven as in TDM mode, but rather data driven.

9.4 Supported Bit Stream Formats for TDM and Burst Transfer Modes

The serial data pins support a wide variety of formats. In the TDM and burst synchronous modes, the data may be transmitted/received with the following options:

- Time slots per frame: 1 (burst/data driven), or 2,3...32 (TDM/time driven)
- Time slot size: 8, 12, 16, 20, 24, 28, 32 bits per time slot
- Data size: 8, 12, 16, 20, 24, 28, 32 bits (must be less than or equal to time slot)
- Data alignment within time slot: left or right justified
- Bit order: MSB or LSB first
- Unused bits in time slot: Padded with 0, 1 or extended with value of another bit
- Time slot delay from frame sync: 0-, 1-, or 2-bit delay

The data format can be programmed independently for transmit and receive, and for McASP0 versus McASP1. In addition, the McASP can automatically realign the data as processed natively by the DSP (any format on a nibble boundary) adjusting the data in hardware to any of the supported serial bit stream formats (TDM, burst, and DIT modes). This adjustment reduces the amount of bit manipulation that the DSP must perform and simplifies software architecture.

9.5 Digital Audio Interface Transmitter (DIT) Transfer Mode (Transmitter Only)

The McASP transmit section may also be configured in DIT mode where it outputs data formatted for transmission over an S/PDIF, AES-3, IEC-60958, or CP-430 standard link. These standards encode the serial data such that the equivalent of *clock* and *frame sync* are embedded within the data stream. DIT transfer mode is used as an interconnect between audio components and can transfer multichannel digital audio data over a single optical or coaxial cable.

From an internal DSP standpoint, the McASP operation in DIT transfer mode is similar to the two-time-slot TDM mode, but the data transmitted is output as a bi-phase mark encoded bit stream with preamble, channel status, user data, validity, and parity automatically stuffed into the bit stream by the McASP module. The McASP includes separate validity bits for even/odd subframes and two 384-bit register file modules to hold channel status and user data bits.

DIT mode requires (at a minimum):

- One serial data pin (if the AUXCLK is used as the reference (see [Figure 8-1](#))
OR
- One serial data pin plus either the AHCLKX or ACLKX pin (if an external clock is needed)

If additional serial data pins are used, each McASP may be used to transmit multiple encoded bit streams (one per pin). However, the bit streams will all be synchronized to the same clock and the user data, channel status, and validity information carried by each bit stream will be the same for all bit streams transmitted by the same McASP module.

The McASP can also automatically realign the data as processed by the DSP (any format on a nibble boundary) in DIT mode; reducing the amount of bit manipulation that the DSP must perform and simplifying software architecture.

9.6 McASP Flexible Clock Generators

The McASP transmit and receive clock generators are identical. Each clock generator can accept a high-frequency master clock input (on the AHCLKX and AHCLKR pins).

The transmit and receive bit clocks (on the ACLKX and ACLKR pins) can also be sourced externally or can be sourced internally by dividing down the high-frequency master clock input (programmable factor /1, /2, /3, ... /4096). The polarity of each bit clock is individually programmable.

The frame sync pins are AFSX (transmit) and AFSR (receive). A typical usage for these pins is to carry the left-right clock (LRCLK) signal when transmitting and receiving stereo data. The frame sync signals are individually programmable for either internal or external generation, either bit or slot length, and either rising or falling edge polarity.

Some examples of the things that a system designer can use the McASP clocking flexibility for are:

- Input a high-frequency master clock (for example, $512 f_s$ of the receiver) and receive with an internally generated bit clock ratio of /8, while transmitting with an internally generated bit clock ratio of /4 or /2. (An example application would be to receive data from a DVD at 48 kHz but output up-sampled or decoded audio at 96 kHz or 192 kHz.)
- Transmit/receive data based on sample rate (for example, 44.1 kHz) using McASP0 while transmitting and receiving at a different sample rate (for example, 48 kHz) on McASP1.
- Use the DSP on-board AUXCLK to supply the system clock when the input source is an A/D converter.

9.7 McASP Error Handling and Management

To support the design of a robust audio system, the McASP module includes error-checking capability for the serial protocol, data underrun, and data overrun. In addition, each McASP includes a timer that continually measures the high-frequency master clock every 32 SYSCLK2 clock cycles. The timer value can be read to get a measurement of the high-frequency master clock frequency and has a min-max range setting that can raise an error flag if the high-frequency master clock goes out of a specified range. The user would read the high-frequency transmit master clock measurement (AHCLKX0 or AHCLKX1) by reading the XCNT field of the XCLKCHK register and the user would read the high-frequency receive master clock measurement (AHCLKR0 or AHCLKR1) by reading the RCNT field of the RCLKCHK register.

Upon the detection of any one or more of the above errors (software selectable) or the assertion of the AMUTE_IN pin, the AMUTE output pin may be asserted to a high or low level (selectable) to immediately mute the audio output. In addition, an interrupt may be generated if enabled based on any one or more of the error sources.

9.8 McASP Interrupts and EDMA Events

The McASP transmitter and receiver sections each generate an event on every time slot. This event can be serviced by an interrupt or by the EDMA controller.

When using interrupts to service the McASP, each shift register buffer has a unique address in the McASP registers space (see [Table 4-1](#)).

When using the EDMA to service the McASP, the McASP DATA Port space, shown in [Table 4-1](#), is accessed. In this case, the address least-significant bits are ignored. Writes to any address in this range access the transmitting buffers in order from lowest (serializer 0) to highest (serializer 15), skipping over disabled and receiving serializers. Likewise, reads from any address in this space access the receiving buffers in the same order but skip over disabled and transmitting buffers.

9.9 I²C

Having two I²C modules on the 320C6713/13B simplifies system architecture, since one module may be used by the DSP to control local peripherals ICs (DACs, ADCs, etc.) while the other may be used to communicate with other controllers in a system or to implement a user interface.

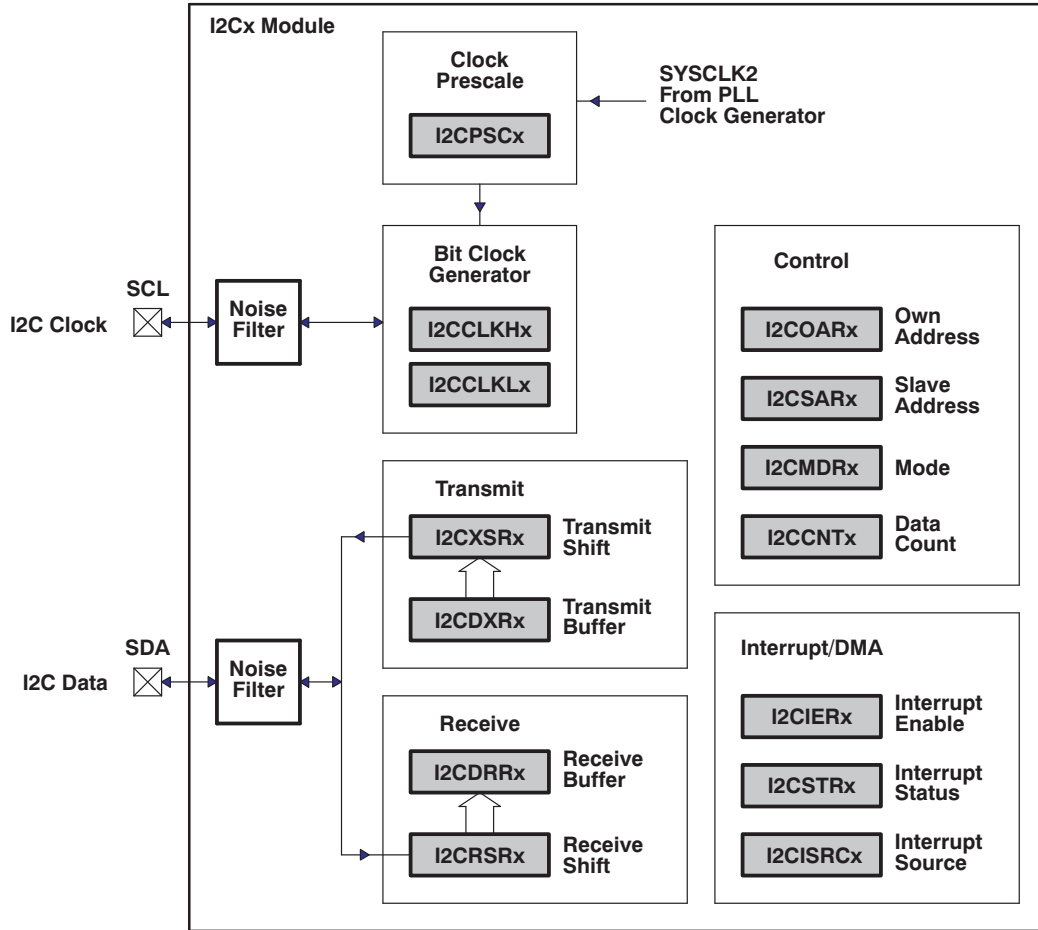
NOTE

I²C ports are compatible with Philips I2C Specification Revision 2.1 (January 2000).

The 320C6713/13B also includes two I²C serial ports for control purposes. Each I²C port supports:

- Fast mode up to 400 Kbps (no fail-safe I/O buffers)
- Noise filter to remove noise 50 ns or less
- 7- and 10-bit device addressing modes
- Master (transmit/receive) and slave (transmit/receive) functionality
- Events: DMA, interrupt, or polling
- Slew-rate limited open-drain output buffers

[Figure 9-2](#) shows a block diagram of the I2Cx module.



NOTE: Shading denotes control/status registers.

Figure 9-2. I2Cx Module Block Diagram

10 LOGIC AND POWER SUPPLY

This section discusses the logic and power-supply configuration of the SM320C6713-EP and SM320C6713B-EP.

10.1 General-Purpose Input/Output (GPIO)

To use the GP[15:0] software-configurable GPIO pins, the GPxEN bits in the GP enable (GPEN) register and the GPxDIR bits in the GP direction (GPDIR) register must be properly configured.

GPxEN = 1	GP[x] pin is enabled.
GPxDIR = 0	GP[x] pin is an input.
GPxDIR = 1	GP[x] pin is an output.

where x represents one of the 15 through 0 GPIO pins.

Figure 10-1 shows the GPIO enable bits in the GPEN register for the C6713/13B device. To use any of the GPx pins as general-purpose input/output functions, the corresponding GPxEN bit must be set to 1 (enabled). Default values are device-specific, so refer to Figure 10-1 for the C6713/13B default configuration.

31								24		23		16							
Reserved																			
R-0																			
15		14		13		12		11		10		9		8					
GP15EN	GP14EN	GP13EN	GP12EN	GP11EN	GP10EN	GP9EN	GP8EN												
R/W-0	R/W-0	R/W-0	R/W-0	R/W-0	R/W-0	R/W-0	R/W-0												
7		6		5		4		3		2		1		0					
GP7EN	GP6EN	GP5EN	GP4EN	GP3EN	GP2EN	GP1EN	GP0EN												
R/W-1	R/W-1	R/W-1	R/W-1	R/W-0	R/W-0	R/W-0	R/W-0												

Legend: R/W = Readable/Writeable; -n = value after reset, -x = undefined value after reset

Figure 10-1. GPIO Enable (GPEN) Register (Hex Address: 01B0 0000)

Figure 10-2 shows the GPIO direction bits in the GPIO Direction (GPDIR) register. This register determines if a given GPIO pin is an input or an output providing the corresponding GPxEN bit is enabled (set to 1) in the GPEN register. By default, all the GPIO pins are configured as input pins.

31								24		23		16							
Reserved																			
R-0																			
15		14		13		12		11		10		9		8					
GP15DIR	GP14DIR	GP13DIR	GP12DIR	GP11DIR	GP10DIR	GP9DIR	GP8DIR												
R/W-0	R/W-0	R/W-0	R/W-0	R/W-0	R/W-0	R/W-0	R/W-0												
7		6		5		4		3		2		1		0					
GP7DIR	GP6DIR	GP5DIR	GP4DIR	GP3DIR	GP2DIR	GP1DIR	GP0DIR												
R/W-0	R/W-0	R/W-0	R/W-0	R/W-0	R/W-0	R/W-0	R/W-0												

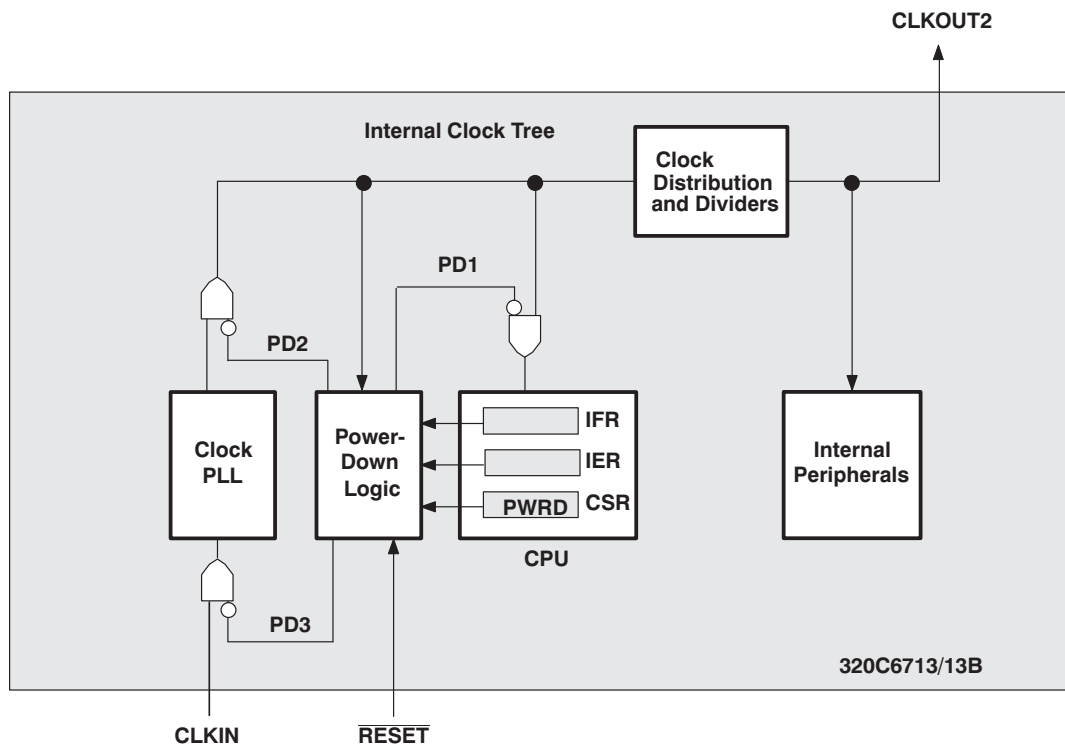
Legend: R/W = Readable/Writeable; -n = value after reset, -x = undefined value after reset

Figure 10-2. GPIO Direction (GPDIR) Register (Hex Address: 01B0 0004)

For more detailed information on general-purpose inputs/outputs (GPIOs), see the *TMS320C6000 DSP General-Purpose Input/Output (GPIO) Reference Guide* (literature number [SPRU584](#)).

10.2 Power-Down Mode Logic

Figure 10-3 shows the power-down mode logic on the C6713/13B.



A. External input clocks, with the exception of CLKIN and CLKOUT3, are not gated by the power-down mode logic.

Figure 10-3. Power-Down Mode Logic

10.2.1 Triggering, Wake-Up, and Effects

The device includes a programmable PLL which allows software control of PLL bypass via the PLEN bit in the PLLCSR register. With this enhanced functionality come some additional considerations when entering power-down modes.

The power-down modes (PD2 and PD3) function by disabling the PLL to stop clocks to the C6713 device. However, if the PLL is bypassed (PLEN = 0), the device will still receive clocks from the external clock input (CLKIN). Therefore, bypassing the PLL makes the power-down modes PD2 and PD3 ineffective.

The PLL needs to be enabled by writing a “1” to PLEN bit (PLLCSR.0) before being able to enter either PD3 (CSR.11) or PD2 (CSR.10) in order for these modes to have an effect.

For the TMS320C6713B device it is recommended to use the PLLPWDN bit (PLLCSR.1) to enter a deep power-down state equivalent to PD3 since the PLLPWDN bit takes full advantage of the PLL power-down feature.

The power-down modes (PD1, PD2 and PD3) and their wake-up methods are programmed by setting the PWRD field (bits 15–10) of the control status register (CSR). The PWRD field of the CSR is shown in [Figure 10-4](#) and described in [Table 10-1](#). When writing to the CSR, all bits of the PWRD field should be set at the same time. Logic 0 should be used when writing to the reserved bit (bit 15) of the PWRD field. The CSR is discussed in detail in the *TMS320C6000 CPU and Instruction Set Reference Guide* (literature number [SPRU189](#)).

31						16	
15	14	13	12	11	10	9	8
Reserved	Enable or Non-Enabled Interrupt Wake	Enabled Interrupt Wake	PD3	PD2	PD1		
R/W-0	R/W-0	R/W-0	R/W-0	R/W-0	R/W-0		
7						0	

Legend: R/W-x = Read/write reset value

Figure 10-4. PWRD Field of the CSR

A delay of up to nine clock cycles may occur after the instruction that sets the PWRD bits in the CSR before the PD mode takes effect. As best practice, NOPs should be padded after the PWRD bits are set in the CSR to account for this delay.

If PD1 mode is terminated by a non-enabled interrupt, the program execution returns to the instruction where PD1 took effect. If PD1 mode is terminated by an enabled interrupt, the interrupt service routine will be executed first, then the program execution returns to the instruction where PD1 took effect. In the case with an enabled interrupt, the GIE bit in the CSR and the NMIE bit in the interrupt enable register (IER) must also be set for the interrupt service routine to execute; otherwise, execution returns to the instruction where PD1 took effect upon PD1 mode termination by an enabled interrupt.

PD2 and PD3 modes can only be aborted by device reset. [Table 10-1](#) summarizes all the power-down modes.

Table 10-1. Characteristics of the Power-Down Modes

PRWD FIELD (BITS 15–10)	POWER-DOWN MODE	WAKE-UP METHOD	EFFECT ON CHIP OPERATION
000000	No power down	—	—
001001	PD1	Wake by an enabled interrupt	CPU halted (except for the interrupt logic) Power-down mode blocks the internal clock inputs at the boundary of the CPU, preventing most of the CPU logic from switching. During PD1, EDMA transactions can proceed between peripherals and internal memory.
010001	PD1	Wake by an enabled or non-enabled interrupt	
011010	PD2 ⁽¹⁾	Wake by a device reset	Output clock from PLL is halted, stopping the internal clock structure from switching and resulting in the entire chip being halted. All register and internal RAM contents are preserved. All functional I/O freeze in the last state when the PLL clock is turned off.
011100	PD3 ⁽¹⁾	Wake by a device reset	Input clock to the PLL stops generating clocks. All register and internal RAM contents are preserved. All functional I/O freeze in the last state when the PLL clock is turned off. Following reset, the PLL needs time to relock, just as it does following power up. Wake-up from PD3 takes longer than wake-up from PD2 because the PLL needs to be relocked, just as it does following power up. It is recommended to use the PLLPWDN bit (PLLCSR.1) as an alternative to PD3.
All others	Reserved	—	—

(1) When entering PD2 and PD3, all functional I/Os remain in the previous state. However, for peripherals that are asynchronous in nature or peripherals with an external clock source, output signals may transition in response to stimulus on the inputs. Under these conditions, peripherals will not operate according to specifications.

10.3 Power-Supply Sequencing

TI DSPs do not require specific power sequencing between the core supply and the I/O supply. However, systems should be designed to ensure that neither supply is powered up for extended periods of time (>1 second) if the other supply is below the proper operating voltage.

10.3.1 System-Level Design Considerations

System-level design considerations, such as bus contention, may require supply sequencing to be implemented. In this case, the core supply should be powered up before, and powered down after, the I/O buffers. This is to ensure that the I/O buffers receive valid inputs from the core before the output buffers are powered up, thus preventing bus contention with other chips on the board.

10.3.2 Power-Supply Design Considerations

A dual-power supply with simultaneous sequencing can be used to eliminate the delay between core and I/O power up. A Schottky diode can also be used to tie the core rail to the I/O rail (see [Figure 10-5](#)).

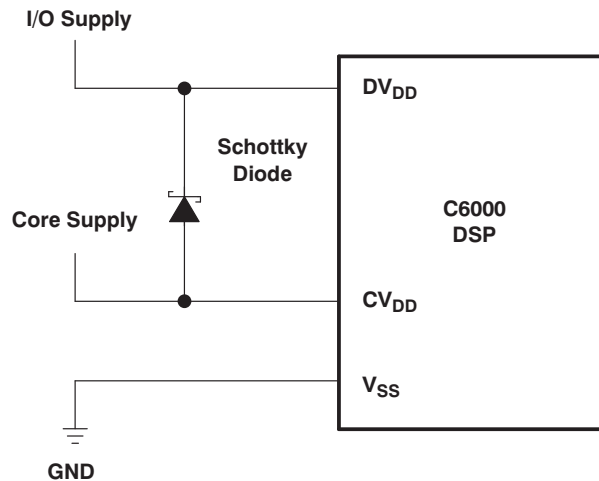


Figure 10-5. Schottky Diode Diagram

Core and I/O supply voltage regulators should be located close to the DSP (or DSP array) to minimize inductance and resistance in the power delivery path. Additionally, when designing for high-performance applications utilizing the C6000 platform of DSPs, the printed circuit board (PCB) should include separate power planes for core, I/O, and ground, all bypassed with high-quality low-ESL/ESR capacitors.

10.4 Power-Supply Decoupling

To properly decouple the supply planes from system noise, place as many capacitors (caps) as possible close to the DSP. Assuming 0603 caps, the user should be able to fit a total of 60 caps—30 for the core supply and 30 for the I/O supply. These caps need to be close (no more than 1.25-cm maximum distance) to the DSP to be effective. Physically smaller caps are better, such as 0402, but the size needs to be evaluated from a yield/manufacturing point-of-view. Parasitic inductance limits the effectiveness of the decoupling capacitors; therefore, physically smaller capacitors should be used while maintaining the largest available capacitance value. As with the selection of any component, verification of capacitor availability over the product's production lifetime needs to be considered.

10.5 IEEE Std 1149.1 JTAG Compatibility Statement

The 320C6713/13B DSP requires that both $\overline{\text{TRST}}$ and $\overline{\text{RESET}}$ resets be asserted upon power up to be properly initialized. While $\overline{\text{RESET}}$ initializes the DSP core, $\overline{\text{TRST}}$ initializes the DSP emulation logic. Both resets are required for proper operation.

NOTE

$\overline{\text{TRST}}$ is synchronous and must be clocked by TCLK; otherwise, BSCAN may not respond as expected after $\overline{\text{TRST}}$ is asserted.

While both $\overline{\text{TRST}}$ and $\overline{\text{RESET}}$ need to be asserted upon power-up, only $\overline{\text{RESET}}$ needs to be released for the DSP to boot properly. $\overline{\text{TRST}}$ may be asserted indefinitely for normal operation, keeping the JTAG port interface and DSP emulation logic in the reset state.

$\overline{\text{TRST}}$ only needs to be released when it is necessary to use a JTAG controller to debug the DSP or exercise the DSP boundary scan functionality.

The TMS320C6713B DSP includes an internal pulldown (IPD) on the $\overline{\text{TRST}}$ pin to ensure that $\overline{\text{TRST}}$ will always be asserted upon power up and the DSP's internal emulation logic will always be properly initialized when this pin is not routed out. JTAG controllers from Texas Instruments actively drive $\overline{\text{TRST}}$ high. However, some third-party JTAG controllers may not drive $\overline{\text{TRST}}$ high but expect the use of an external pullup resistor on $\overline{\text{TRST}}$. When using this type of JTAG controller, assert $\overline{\text{TRST}}$ to initialize the DSP after powerup and externally drive $\overline{\text{TRST}}$ high before attempting any emulation or boundary scan operations.

Following the release of $\overline{\text{RESET}}$, the low-to-high transition of $\overline{\text{TRST}}$ must be "seen" to latch the state of EMU1 and EMU0. The EMU[1:0] pins configure the device for either boundary scan mode or emulation mode. For more detailed information, see the terminal functions section of this data sheet.

NOTE

Note: The DESIGN-WARNING section of the TMS320C6713B BSDL file contains information and constraints regarding proper device operation while in boundary scan mode.

For more detailed information on the C6713B JTAG emulation, see the TMS320C6000 DSP Designing for JTAG Emulation Reference Guide (literature number [SPRU641](#)).

10.6 EMIF Device Speed

The maximum EMIF speed on the C6713/13B device is 100 MHz. TI recommends utilizing I/O buffer information specification (IBIS) to analyze all ac timings to determine if the maximum EMIF speed is achievable for a given board layout. To properly use IBIS models to attain accurate timing analysis for a given system, see the application report *Using IBIS Models for Timing Analysis* (literature number [SPRA839](#)).

For ease of design evaluation, [Table 10-2](#) contains IBIS simulation results showing the maximum EMIF-SDRAM interface speeds for the given example boards (TYPE) and SDRAM speed grades. Timing analysis should be performed to verify that all ac timings are met for the specified board layout. Other configurations are also possible, but again, timing analysis must be done to verify proper ac timings.

To maintain signal integrity, serial termination resistors should be inserted into all EMIF output signal lines (see the [Terminal Functions](#) table for the EMIF output signals).

Table 10-2. C6713/13B Example Boards and Maximum EMIF Speed

BOARD CONFIGURATION			SDRAM SPEED GRADE	MAXIMUM ACHIEVABLE EMIF-SDRAM INTERFACE SPEED
TYPE	EMIF INTERFACE COMPONENTS	BOARD TRACE		
1-Load Short Traces	One bank of one 32-bit SDRAM	1- to 3-in traces with proper termination resistors; Trace impedance ~50 Ω	143-MHz 32-bit SDRAM (-7)	100 MHz
			166-MHz 32-bit SDRAM (-6)	For short traces, SDRAM data output hold time on these SDRAM speed grades cannot meet EMIF input hold time requirement. ⁽¹⁾
			183-MHz 32-bit SDRAM (-55)	
			200-MHz 32-bit SDRAM (-5)	
2-Loads Short Traces	One bank of two 16-bit SDRAMs	1.2 to 3 in from EMIF to each load, with proper termination resistors; Trace impedance ~78 Ω	125-MHz 16-bit SDRAM (-8E)	100 MHz
			133-MHz 16-bit SDRAM (-75)	100 MHz
			143-MHz 16-bit SDRAM (-7E)	100 MHz
			167-MHz 16-bit SDRAM (-6A)	100 MHz
			167-MHz 16-bit SDRAM (-6)	100 MHz
3-Loads Short Traces	One bank of two 16-bit SDRAMs One bank of buffer	1.2 to 3 inches from EMIF to each load, with proper termination resistors; Trace impedance ~78 Ω	125-MHz 16-bit SDRAM (-8E)	For short traces, EMIF cannot meet SDRAM input hold requirement. ⁽¹⁾
			133-MHz 16-bit SDRAM (-75)	100 MHz
			143-MHz 16-bit SDRAM (-7E)	100 MHz
			167-MHz 16-bit SDRAM (-6A)	100 MHz
			167-MHz 16-bit SDRAM (-6)	For short traces, EMIF cannot meet SDRAM input hold requirement. ⁽¹⁾
3-Loads Long Traces	One bank of one 32-bit-bit SDRAM, One bank of one 32-bit-bit SDRAM, One bank of buffer	4 to 7 in from EMIF; Trace impedance ~63 Ω	143-MHz 32-bit SDRAM (-7)	83 MHz
			166-MHz 32-bit SDRAM (-6)	83 MHz
			183-MHz 32-bit SDRAM (-55)	83 MHz
			200-MHz 32-bit SDRAM (-5)	SDRAM data output hold time cannot meet EMIF input hold requirement. ⁽¹⁾

(1) Results are based on IBIS simulations for the given example boards (TYPE). Timing analysis should be performed to determine if timing requirements can be met for the particular system.

10.7 EMIF Big Endian Mode Correctness (C6713B Only)

The HD8 pin device endian mode (LENDIAN) selects the endian mode of operation (Little or Big Endian). For the C6713/13B device Little Endian is the default setting.

The C6713B HD12 pin (EMIF Big Endian Mode Correctness) [EMIFBE] enhancement allows the flexibility to change the EMIF data placement on the EMIF bus.

When using the default setting of HD12 = 1 for the C6713B, the EMIF will present 8-bit or 16-bit data on the ED[7:0] side of the bus if using Little Endian mode (HD8 = 1), and to the ED[31:24] side of the bus if using Big Endian mode. [Figure 10-6](#) shows the mapping of 16-bit and 8-bit C6713B devices.

EMIF DATA LINES (PINS) WHERE DATA PRESENT			
ED[31:24] (BE3)	ED[23:16] (BE2)	ED[15:8] (BE1)	ED[7:0] (BE0)
32-Bit Device in Any Endianness Mode			
16-Bit Device in Big Endianness Mode		16-Bit Device in Little Endianness Mode	
8-Bit Device in Big Endianness Mode			8-Bit Device in Little Endianness Mode

Figure 10-6. 16/8-Bit EMIF Big Endian Mode Correctness Mapping (HD12 = 1) (C6713B Only)

When HD12 = 0 for the C6713B, enabling EMIF endianness correction, the EMIF will present 8-bit or 16-bit data on the ED[7:0] side of the bus, regardless of the endianness mode (see [Figure 10-7](#))

EMIF DATA LINES (PINS) WHERE DATA PRESENT			
ED[31:24] ($\overline{\text{BE3}}$)	ED[23:16] ($\overline{\text{BE2}}$)	ED[15:8] ($\overline{\text{BE1}}$)	ED[7:0] ($\overline{\text{BE0}}$)
32-Bit Device in Any Endianness Mode			
		16-Bit Device in Any Endianness Mode	
		8-Bit Device in Any Endianness Mode	

Figure 10-7. 16/8-Bit EMIF Big Endian Mode Correctness Mapping (HD12 = 0) (C6713B Only)

This *new* C6713B endianness correction functionality does not affect systems using the default value of HD12 = 1.

This new C6713B feature does not affect systems operating in Little Endian mode.

10.8 Bootmode

The C6713/13B device resets using the active-low signal $\overline{\text{RESET}}$ and the internal reset signal. While $\overline{\text{RESET}}$ is low, the internal reset is also asserted and the device is held in reset and is initialized to the prescribed reset state. Refer to [Reset Timing](#) for reset timing characteristics and states of device pins during reset. The release of the internal reset signal (see the [Reset phase 3 discussion](#) in the [RESET Timing](#) section of this data sheet) starts the processor running with the prescribed device configuration and boot mode.

The C6713/13B has three types of boot modes:

- Host boot

If host boot is selected, upon release of internal reset, the CPU is internally stalled while the remainder of the device is released. During this period, an external host can initialize the CPU memory space as necessary through the host interface, including internal configuration registers, such as those that control the EMIF or other peripherals. Once the host is finished with all necessary initialization, it must set the DSPINT bit in the HPIC register to complete the boot process. This transition causes the boot configuration logic to bring the CPU out of the stalled state. The CPU then begins execution from address 0. The DSPINT condition is not latched by the CPU, because it occurs while the CPU is still internally stalled. Also, DSPINT brings the CPU out of the stalled state only if the host boot process is selected. All memory may be written to and read by the host. This allows for the host to verify what it sends to the DSP if required. After the CPU is out of the stalled state, the CPU needs to clear the DSPINT; otherwise, no more DSPINTs can be received.
- Emulation boot

Emulation boot mode is a variation of host boot. In this mode, it is not necessary for a host to load code or to set DSPINT to release the CPU from the stalled state. Instead, the emulator will set DSPINT if it has not been previously set so that the CPU can begin executing code from address 0. Before beginning execution, the emulator sets a breakpoint at address 0. This prevents the execution of invalid code by halting the CPU before executing the first instruction. Emulation boot is a good tool in the debug phase of development.
- EMIF boot (using default ROM timings)

Upon the release of internal reset, the 1K-Byte ROM code located in the beginning of CE1 is copied to address 0 by the EDMA using the default ROM timings, while the CPU is internally stalled. The data should be stored in the endian format that the system is using. The boot process also lets you choose the width of the ROM. In this case, the EMIF automatically assembles consecutive 8-bit bytes or 16-bit half-words to form the 32-bit instruction words to be copied. The transfer is automatically done by the EDMA as a single-frame block transfer from the ROM to address 0. After completion of the block transfer, the CPU is released from the stalled state and start running from address 0.

11 PARAMETRIC INFORMATION

11.1 Absolute Maximum Ratings⁽¹⁾

over operating case temperature range (unless otherwise noted)

		VALUE	UNIT
Supply voltage range, CV_{DD} ⁽²⁾		–0.3 to 1.8	V
Supply voltage range, DV_{DD} ⁽²⁾		–0.3 to 4	V
Input voltage range		–0.3 to $DV_{DD} + 0.5$	V
Output voltage range		–0.3 to $DV_{DD} + 0.5$	V
Operating case temperature range T_C	A version	–40 to 105	°C
	S version	–55 to 105	
	M version ⁽³⁾	–55 to 125	
Storage temperature range, T_{stg}		–60 to 150	°C

- (1) Stresses beyond those listed under absolute maximum ratings may cause permanent damage to the device. These are stress ratings only, and functional operation of the device at these or any other conditions beyond those indicated under recommended operating conditions is not implied. Exposure to absolute-maximum-rated conditions for extended periods may affect device reliability.
- (2) All voltage values are with respect to V_{SS} .
- (3) Long-term high temperature storage and/or extended use at maximum recommended operating conditions may result in a reduction of overall device life. See http://ti.com/ep_quality for additional information on enhanced product packaging.

11.2 Recommended Operating Conditions⁽¹⁾

		MIN	NOM	MAX	UNIT	
CV_{DD}	Supply voltage, core referenced to V_{SS}	1.20	1.26	1.32	V	
DV_{DD}	Supply voltage, I/O referenced to V_{SS}	3.13	3.3	3.47	V	
$V_{(C-D)}$	Maximum supply voltage difference, $CV_{DD} - DV_{DD}$			1.32	V	
$V_{(D-C)}$	Maximum supply voltage difference, $DV_{DD} - CV_{DD}$			2.75	V	
V_{IH}	High-level input voltage	All signals except CLKS1/SCL1, DR1/SDA1, SCL0, SDA0, and RESET		2	V	
		CLKS1/SCL1, DR1/SDA1, SCL0, SDA0, and RESET		2		
V_{IL}	Low-level input voltage	All signals except CLKS1/SCL1, DR1/SDA1, SCL0, SDA0, and RESET		0.8	V	
		CLKS1/SCL1, DR1/SDA1, SCL0, SDA0, and RESET		0.3 × DV_{DD}		
I_{OH}	High-level output current	C6713 ⁽²⁾	All signals except ECLKOUT, CLKOUT2, CLKOUT3, CLKS1/SCL1, DR1/SDA1, SCL0, and SDA0		–8	mA
			ECLKOUT, CLKOUT2, and CLKOUT3		–16	
		C6713B ⁽²⁾	All signals except ECLKOUT, CLKOUT2, CLKS1/SCL1, DR1/SDA1, SCL0, and SDA0		–8	
			ECLKOUT and CLKOUT2		–16	
I_{OL}	Low-level output current	C6713 ⁽²⁾	All signals except ECLKOUT, CLKOUT2, CLKOUT3, CLKS1/SCL1, DR1/SDA1, SCL0, and SDA0		8	mA
			ECLKOUT, CLKOUT2, and CLKOUT3		16	
			CLKS1/SCL1, DR1/SDA1, SCL0, and SDA0		3	
		C6713B ⁽²⁾	All signals except ECLKOUT, CLKOUT2, CLKS1/SCL1, DR1/SDA1, SCL0, and SDA0		8	
			ECLKOUT and CLKOUT2		16	
			CLKS1/SCL1, DR1/SDA1, SCL0, and SDA0		3	
V_{OS}	Maximum voltage during overshoot (See Figure 11-4)			4 ⁽³⁾	V	

- (1) The core supply should be powered up before, and powered down after, the I/O supply. Systems should be designed to ensure that neither supply is powered up for an extended period of time if the other supply is below the proper operating voltage.
- (2) Refers to dc (or steady state) currents only; actual switching currents are higher. For more details, see the device-specific IBIS models.
- (3) The absolute maximum ratings should not be exceeded for more than 30% of the cycle period.

Recommended Operating Conditions ⁽¹⁾ (continued)

		MIN	NOM	MAX	UNIT
V _{US}	Maximum voltage during undershoot (See Figure 11-5)			-0.7 ⁽³⁾	V
T _C	Operating case temperature	A version		105	°C
		S version	-40	105	
		M version	-55	125	

11.3 Electrical Characteristics⁽¹⁾

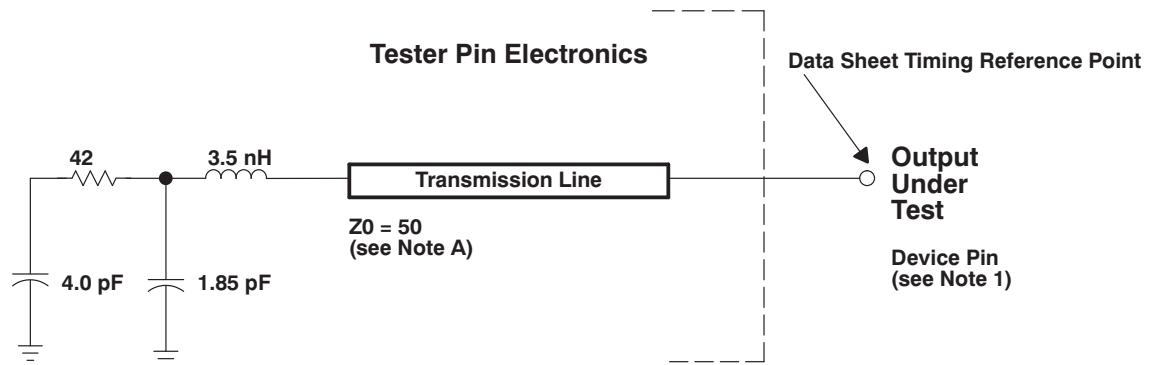
over recommended ranges of supply voltage and operating case temperature (unless otherwise noted)

PARAMETER		TEST CONDITIONS	MIN	TYP	MAX	UNIT
V _{OH}	High-level output voltage	All signals except SCL1, SDA1, SCL0, and SDA0 I _{OH} = MAX	2.4			V
V _{OL}	Low-level output voltage	All signals except SCL1, SDA1, SCL0, and SDA0 I _{OL} = MAX			0.4	V
		SCL1, SDA1, SCL0, and SDA0 I _{OL} = MAX			0.4	
I _I	Input current	All signals except SCL1, SDA1, SCL0, and SDA0 V _I = V _{SS} to DV _{DD}			±170	µA
		SCL1, SDA1, SCL0, and SDA0			±10	
I _{OZ}	Off-state output current	All signals except SCL1, SDA1, SCL0, and SDA0 V _O = DV _{DD} or 0 V			±170	µA
		SCL1, SDA1, SCL0, and SDA0			±10	
I _{DD2V}	Core supply current ⁽²⁾	13GDPA, CV _{DD} = 1.4 V, CPU clock = 300 MHz		945		mA
		13GDPA, CV _{DD} = 1.26 V, CPU clock = 200 MHz		560		
I _{DD3V}	I/O supply current ⁽²⁾	C6713/13B, DV _{DD} = 3.3 V, EMIF speed = 100 MHz		75		mA
C _I	Input capacitance				7	pF
C _O	Output capacitance				7	pF

- (1) For test conditions shown as MIN, MAX, or NOM, use the appropriate value specified in the recommended operating conditions table.
- (2) Measured with average activity (50% high/50% low power) at 25°C case temperature and 100-MHz EMIF. This model represents a device performing high-DSP-activity operations 50% of the time, and the remainder performing low-DSP-activity operations. The high/low-DSP-activity models are defined as follows:
High DSP activity model:
CPU: 8 instructions/cycle with 2 LDDW instructions [L1 data memory: 128 bits/cycle via LDDW instructions; L1 program memory: 256 bits/cycle; L2/EMIF EDMA: 50% writes, 50% reads to/from SDRAM (50% bit switching)]
McBSP: 2 channels at E1 rate
Timers: 2 timers at maximum rate
Low DSP activity model:
CPU: 2 instructions/cycle with 1 LDH instruction [L1 data memory: 16 bits/cycle; L1 program memory: 256 bits per 4 cycles; L2/EMIF EDMA: None]
McBSP: 2 channels at E1 rate
Timers: 2 timers at maximum rate
The actual current draw is highly application dependent. For more details on core and I/O activity, refer to the *TMS320C6713/12C/11C Power Consumption Summary* application report (literature number [SPRA889](#)).

11.4 Parameter Measurement Information

11.4.1 Timing Information



NOTE A: The data sheet provides timing at the device pin. For output timing analysis, the tester pin electronics and its transmission line effects must be taken into account. A transmission line with a delay of 2 ns or longer can be used to produce the desired transmission line effect. The transmission line is intended as a load only. It is not necessary to add or subtract the transmission line delay (2 ns or longer) from the data-sheet timings.

Input requirements in this data sheet are tested with an input slew rate of <math><4\text{ V per nanosecond}</math> (4 V/ns) at the device pin.

Figure 11-1. Test Load Circuit for AC Timing Measurements

11.4.2 Signal Transition Levels

All input and output timing parameters are referenced to 1.5 V for both 0 and 1 logic levels.

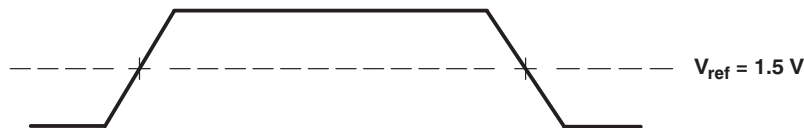


Figure 11-2. Input and Output Voltage Reference Levels for AC Timing Measurements

All rise and fall transition timing parameters are referenced to $V_{IL\text{ MAX}}$ and $V_{IH\text{ MIN}}$ for input clocks, $V_{OL\text{ MAX}}$ and $V_{OH\text{ MIN}}$ for output clocks.

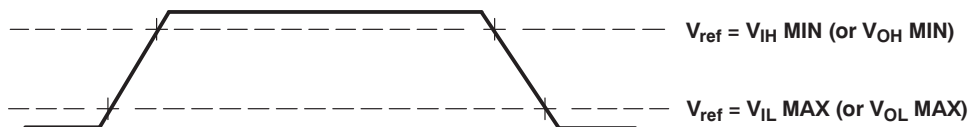
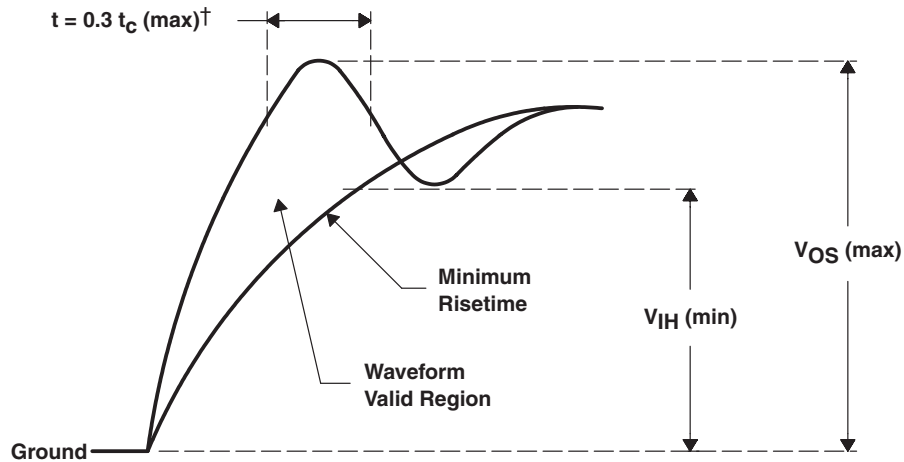


Figure 11-3. Rise and Fall Transition Time Voltage Reference Levels

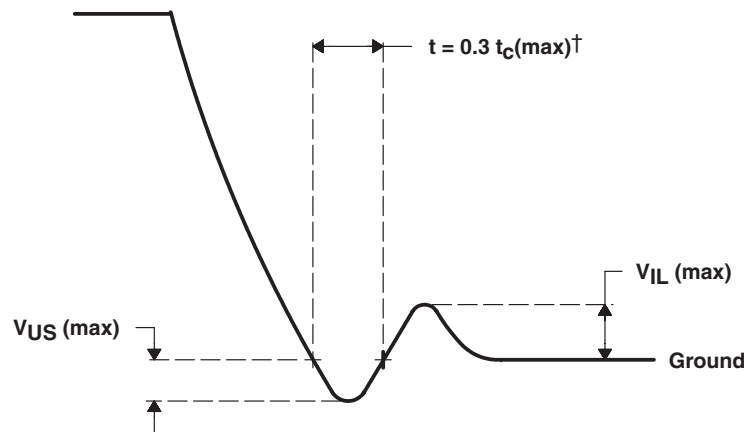
11.4.3 AC Transient Rise/Fall Time Specifications

Figure 11-4 and Figure 11-5 show the AC transient specifications for rise and fall time. For device-specific information on these values, refer to the Recommended Operating Conditions section of this data sheet.



† t_c = the peripheral cycle time.

Figure 11-4. AC Transient Specification Rise Time



† t_c = the peripheral cycle time.

Figure 11-5. AC Transient Specification Fall Time

11.4.4 Timing Parameters and Board Routing Analysis

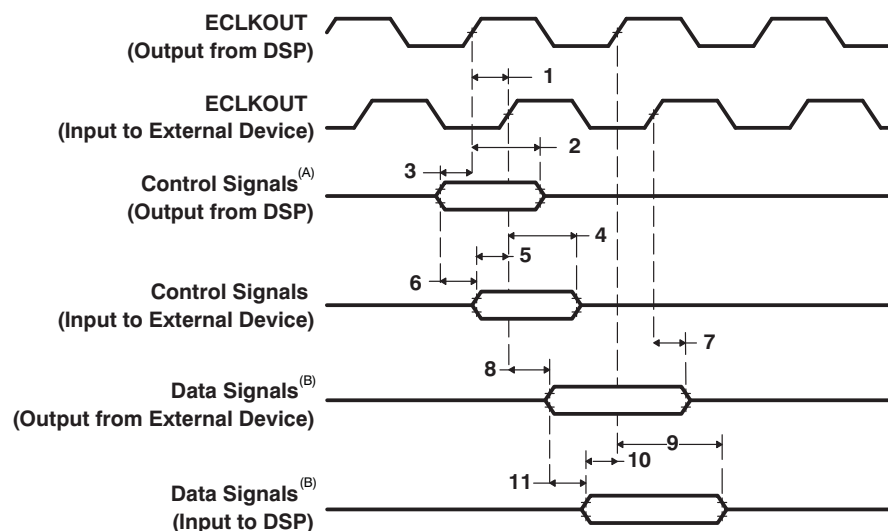
The timing parameter values specified in this data sheet do not include delays by board routings. As a good board design practice, such delays must always be taken into account. Timing values may be adjusted by increasing/decreasing such delays. TI recommends utilizing the available I/O buffer information specification (IBIS) models to analyze the timing characteristics correctly. To properly use IBIS models to attain accurate timing analysis for a given system, see the *Using IBIS Models for Timing Analysis* application report (literature number [SPRA839](#)). If needed, external logic hardware such as buffers may be used to compensate any timing differences.

For inputs, timing is most impacted by the round-trip propagation delay from the DSP to the external device and from the external device to the DSP. This round-trip delay tends to negatively impact the input setup time margin, but also tends to improve the input hold time margins (see [Table 11-1](#) and [Figure 11-6](#)).

[Figure 11-6](#) represents a general transfer between the DSP and an external device. The figure also represents board route delays and how they are perceived by the DSP and the external device.

Table 11-1. Board-Level Timings Example (see [Figure 11-6](#))

NO.	DESCRIPTION
1	Clock route delay
2	Minimum DSP hold time
3	Minimum DSP setup time
4	External device hold time requirement
5	External device setup time requirement
6	Control signal route delay
7	External device hold time
8	External device access time
9	DSP hold time requirement
10	DSP setup time requirement
11	Data route delay



NOTES A: Control signals include data for writes.

B: Data signals are generated during reads from an external device.

Figure 11-6. Board-Level Input/Output Timings

11.5 Input and Output Clocks

Table 11-2. Timing Requirements for CLKIN^{(1) (2) (3)}

See Figure 11-7

NO.			PLL MODE (PLEN = 1)		BYPASS MODE (PLEN = 0)		UNIT
			MIN	MAX	MIN	MAX	
1	$t_{c(CLKIN)}$	Cycle time, CLKIN	GDP-200		5	83.3	ns
			GDP-300		4	83.3	
2	$t_{w(CLKINH)}$	Pulse duration, CLKIN high	0.4C		0.4C		ns
3	$t_{w(CLKINL)}$	Pulse duration, CLKIN low	0.4C		0.4C		ns
4	$t_t(CLKIN)$	Transition time, CLKIN	5		5		ns

- (1) The reference points for the rise and fall transitions are measured at V_{IL} MAX and V_{IH} MIN.
 (2) C = CLKIN cycle time in nanoseconds (ns). For example, when CLKIN frequency is 40 MHz, use C = 25 ns.
 (3) See the [PLL and PLL Controller](#) section of this data sheet.

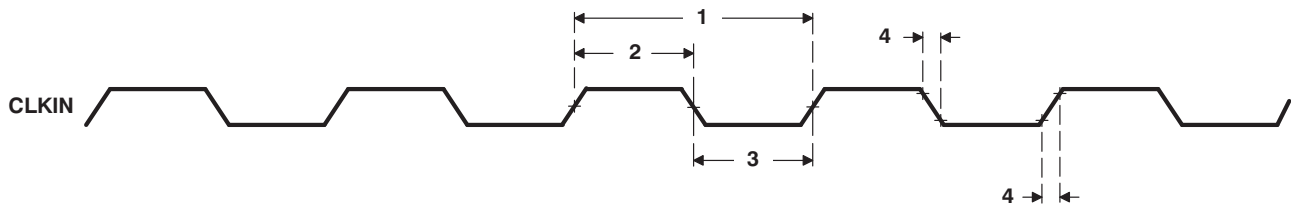


Figure 11-7. CLKIN

Table 11-3. Switching Characteristics for CLKOUT2^{(1) (2)}

over recommended operating conditions (see Figure 11-8)

NO.	PARAMETER	MIN	MAX	UNIT
1	$t_{c(CKO2)}$	C2 - 0.8	C2 + 0.8	ns
2	$t_{w(CKO2H)}$	(C2/2) - 0.8	(C2/2) + 0.8	ns
3	$t_{w(CKO2L)}$	(C2/2) - 0.8	(C2/2) + 0.8	ns
4	$t_t(CKO2)$	2		ns

- (1) The reference points for the rise and fall transitions are measured at V_{OL} MAX and V_{OH} MIN.
 (2) C2 = CLKOUT2 period in ns. CLKOUT2 period is determined by the PLL controller output SYSCLK2 period, which **must** be set to CPU period divide-by-2.

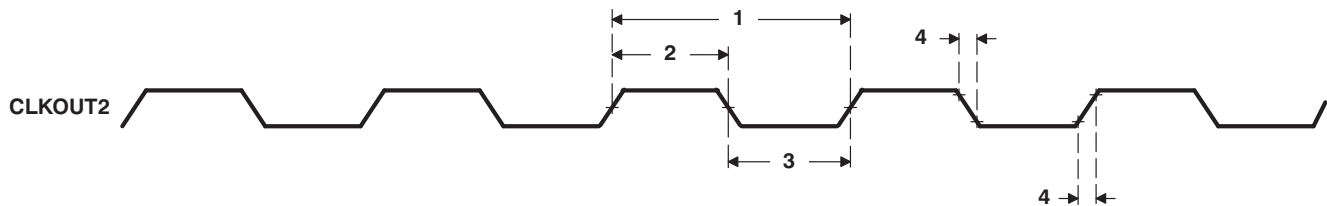


Figure 11-8. CLKOUT2

Table 11-4. Switching Characteristics for CLKOUT3^{(1) (2)}

over recommended operating conditions (see [Figure 11-9](#))

NO.	PARAMETER	6713		6713B		UNIT
		MIN	MAX	MIN	MAX	
1	$t_{c(CKO3)}$ Cycle time, CLKOUT3	$C3 - 0.6$	$C3 + 0.6$	$C3 - 0.9$	$C3 + 0.9$	ns
2	$t_{w(CKO3H)}$ Pulse duration, CLKOUT3 high	$(C3/2) - 0.6$	$(C3/2) + 0.6$	$(C3/2) - 0.9$	$(C3/2) + 0.9$	ns
3	$t_{w(CKO3L)}$ Pulse duration, CLKOUT3 low	$(C3/2) - 0.6$	$(C3/2) + 0.6$	$(C3/2) - 0.9$	$(C3/2) + 0.9$	ns
4	$t_t(CKO3)$ Transition time, CLKOUT3		2		3	ns
5	$t_d(CLKINH-CKO3V)$ Delay time, CLKIN high to CLKOUT3 valid	1.5	6.5	1.5	7.5	ns

- (1) The reference points for the rise and fall transitions are measured at V_{OL} MAX and V_{OH} MIN.
 (2) $C3$ = CLKOUT3 period in ns. CLKOUT3 period is a divide-down of the CPU clock, configurable via the RATIO field in the PLLDIV3 register.

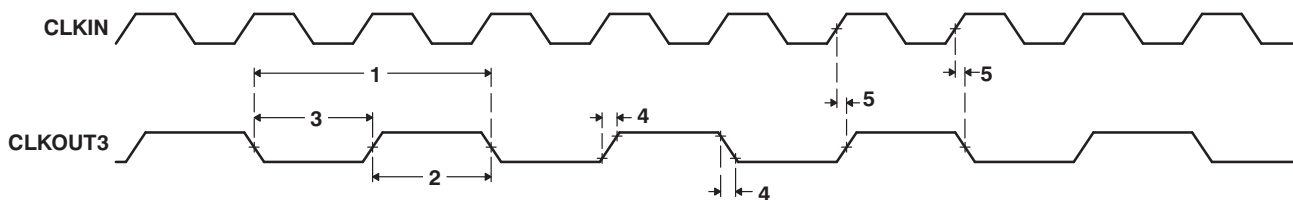


Figure 11-9. CLKOUT3

Table 11-5. Timing Requirements for ECLKIN⁽¹⁾

See [Figure 11-10](#)

NO.	PARAMETER	MIN	MAX	UNIT
1	$t_{c(EKI)}$ Cycle time, ECLKIN	10		ns
2	$t_{w(EKIH)}$ Pulse duration, ECLKIN high	4.5		ns
3	$t_{w(EKIL)}$ Pulse duration, ECLKIN low	4.5		ns
4	$t_t(EKI)$ Transition time, ECLKIN		3	ns

- (1) The reference points for the rise and fall transitions are measured at V_{L} MAX and V_{H} MIN.

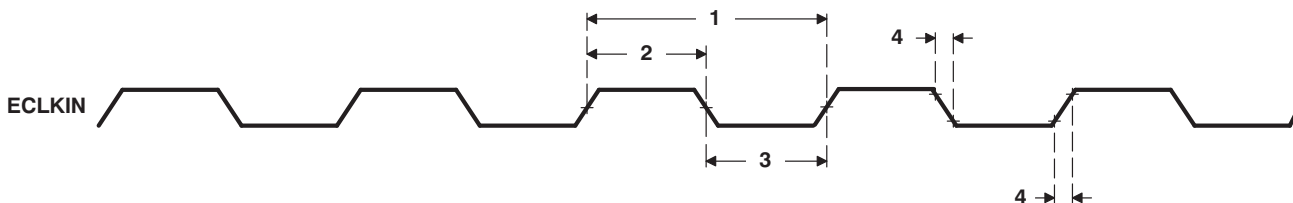


Figure 11-10. ECLKIN

Table 11-6. Switching Characteristics for ECLKOUT⁽¹⁾ (2) (3)

over recommended operating conditions (see [Figure 11-11](#))

NO.	PARAMETER		MIN	MAX	UNIT
1	t_c (EKO)	Cycle time, ECLKOUT	E - 0.9	E + 0.9	ns
2	t_w (EKOH)	Pulse duration, ECLKOUT high	EH - 0.9	EH + 0.9	ns
3	t_w (EKOL)	Pulse duration, ECLKOUT low	EL - 0.9	EL + 0.9	ns
4	t_t (EKO)	Transition time, ECLKOUT		2	ns
5	t_d (EKIH-EKOH)	Delay time, ECLKIN high to ECLKOUT high	1	6.5	ns
6	t_d (EKIL-EKOL)	Delay time, ECLKIN low to ECLKOUT low	1	6.5	ns

- (1) The reference points for the rise and fall transitions are measured at V_{OL} MAX and V_{OH} MIN.
- (2) E = ECLKIN period in ns
- (3) EH is the high period of ECLKIN in ns and EL is the low period of ECLKIN in ns.

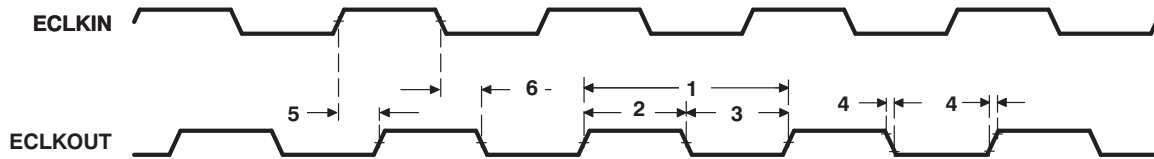


Figure 11-11. ECLKOUT

11.6 Asynchronous Memory Timing

Table 11-7. Timing Requirements for Asynchronous Memory Cycles^{(1) (2) (3)}

See [Figure 11-12](#) and [Figure 11-13](#)

NO.		MIN	MAX	UNIT
3	$t_{su(EDV-AREH)}$ Setup time, EDx valid before \overline{ARE} high	6.5		ns
4	$t_{h(AREH-EDV)}$ Hold time, EDx valid after \overline{ARE} high	1		ns
6	$t_{su(ARDY-EKOH)}$ Setup time, ARDY valid before ECLKOUT high	3		ns
7	$t_{h(EKOH-ARDY)}$ ARDY valid after ECLKOUT high	2.3		ns

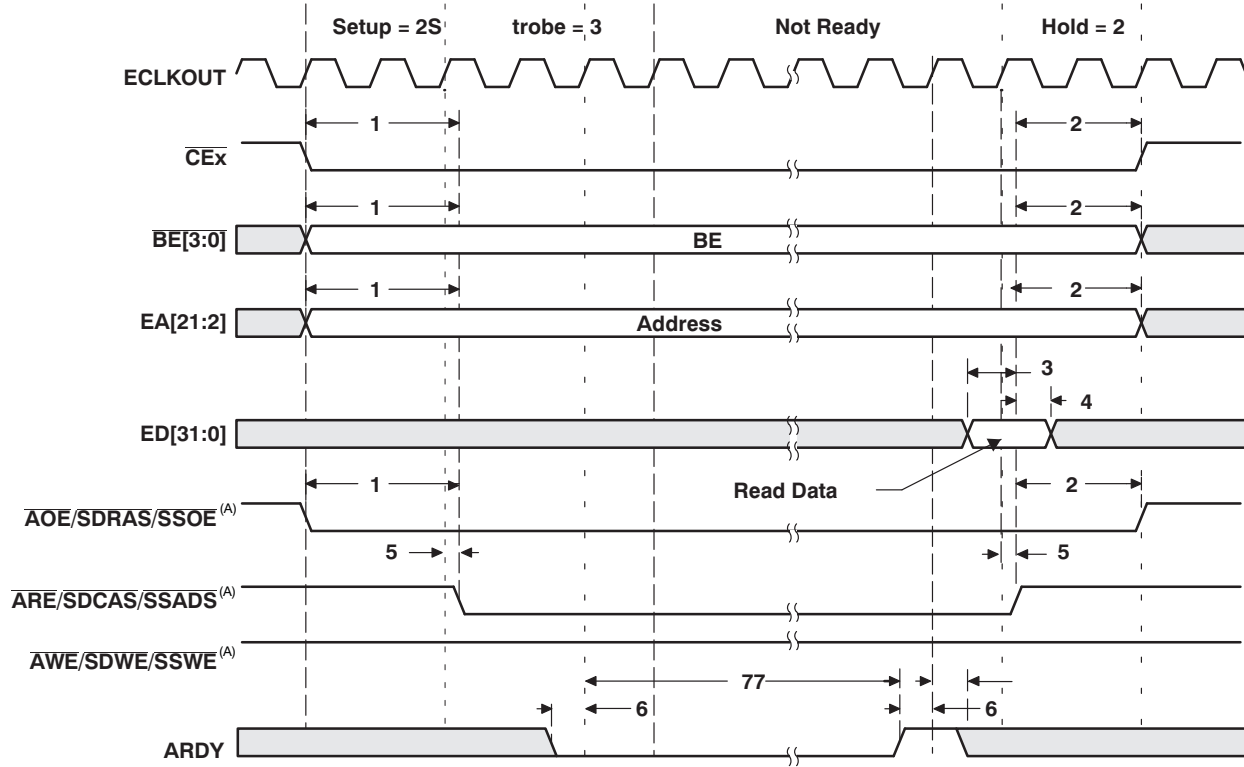
- (1) To ensure data setup time, simply program the strobe width wide enough. ARDY is internally synchronized. The ARDY signal is recognized in the cycle for which the setup and hold time is met. To use ARDY as an asynchronous input, the pulse width of the ARDY signal should be wide enough (for example, pulse width = 2E) to ensure setup and hold time is met.
- (2) RS = Read setup, RST = Read strobe, RH = Read hold, WS = Write setup, WST = Write strobe, WH = Write hold. These parameters are programmed via the EMIF CE space control registers.
- (3) E = ECLKOUT period in ns

Table 11-8. Switching Characteristics for Asynchronous Memory Cycles^{(1) (2) (3)}

over recommended operating condition (see [Figure 11-12](#) and [Figure 11-13](#))

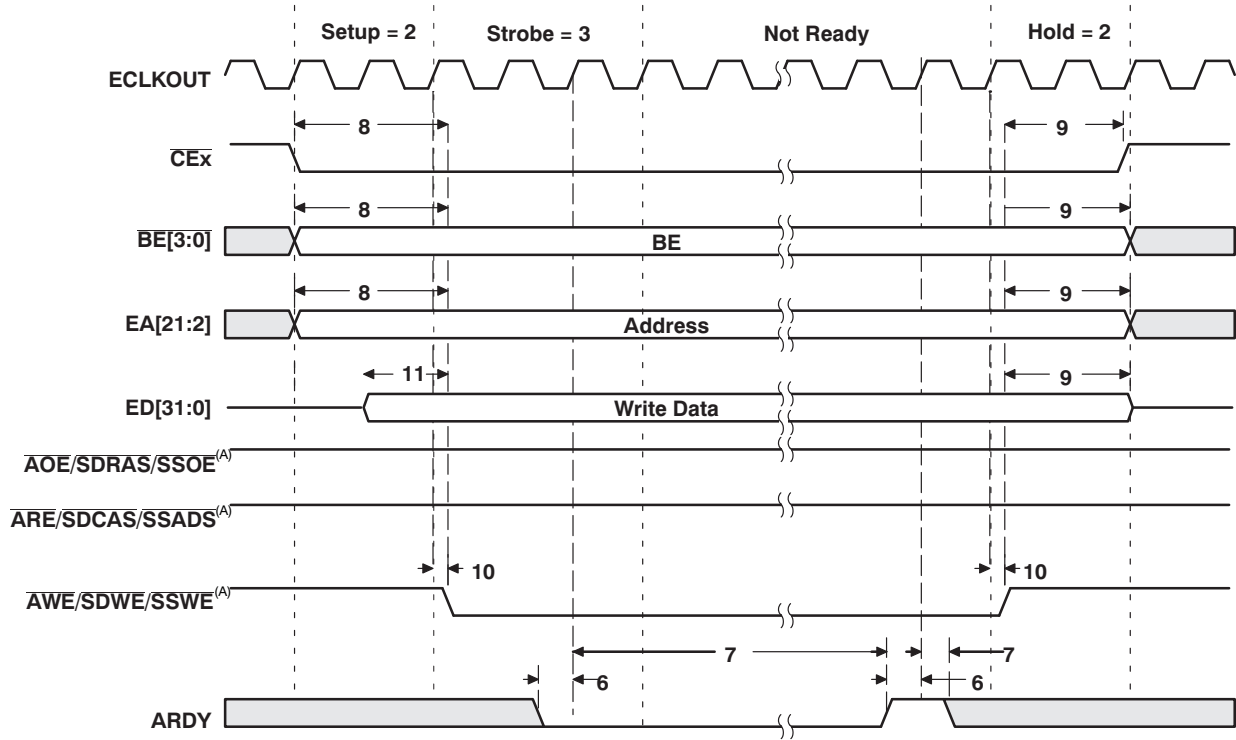
NO.	PARAMETER	MIN	MAX	UNIT
1	$t_{osu(SELV-AREL)}$ Output setup time, select signals valid to \overline{ARE} low	$RS * E - 1.7$		ns
2	$t_{oh(AREH-SELIV)}$ Output hold time, \overline{ARE} high to select signals invalid	$RH * E - 1.7$		ns
5	$t_{d(EKOH-AREV)}$ Delay time, ECLKOUT high to \overline{ARE} valid	1.5	7	ns
8	$t_{osu(SELV-AWEL)}$ Output setup time, select signals valid to \overline{AWE} low	$WS * E - 1.7$		ns
9	$t_{oh(AWEH-SELIV)}$ Output hold time, \overline{AWE} high to select signals and EDx invalid	$WH * E - 1.7$		ns
10	$t_{d(EKOH-AWEV)}$ Delay time, ECLKOUT high to \overline{AWE} valid	1.5	7	ns
11	$t_{osu(EDV-AWEL)}$ Output setup time, ED valid to \overline{AWE} low	$(WS - 1) * E - 1.7$		ns

- (1) RS = Read setup, RST = Read strobe, RH = Read hold, WS = Write setup, WST = Write strobe, WH = Write hold. These parameters are programmed via the EMIF CE space control registers.
- (2) E = ECLKOUT period in ns
- (3) Select signals include \overline{CE}_x , $\overline{BE}[3:0]$, $EA[21:2]$, and \overline{AOE} .



NOTE A: $\overline{AOE}/\overline{SDRAS}/\overline{SSOE}$, $\overline{ARE}/\overline{SDCAS}/\overline{SSADS}$, and $\overline{AWE}/\overline{SDWE}/\overline{SSWE}$ operate as \overline{AOE} (identified under select signals), \overline{ARE} , and \overline{AWE} , respectively, during asynchronous memory accesses.

Figure 11-12. Asynchronous Memory Read



NOTE A: $\overline{AOE}/\overline{SDRAS}/\overline{SSOE}$, $\overline{ARE}/\overline{SDCAS}/\overline{SSADS}$, and $\overline{AWE}/\overline{SDWE}/\overline{SSWE}$ operate as \overline{AOE} (identified under select signals), \overline{ARE} , and \overline{AWE} , respectively, during asynchronous memory accesses.

Figure 11-13. Asynchronous Memory Write

11.7 Synchronous-Burst Memory Timing

Table 11-9. Timing Requirements for Synchronous-Burst SRAM Cycles⁽¹⁾

See Figure 11-14

NO.		MIN	MAX	UNIT
6	$t_{su}(EDV-EKOH)$ Setup time, read EDx valid before ECLKOUT high	1.5		ns
7	$t_h(EKOH-EDV)$ Hold time, read EDx valid after ECLKOUT high	2.5		ns

(1) The C6713/13B SBSRAM interface takes advantage of the internal burst counter in the SBSRAM. Accesses default to incrementing 4-word bursts, but random bursts and decrementing bursts are done by interrupting bursts in progress. All burst types can sustain continuous data flow.

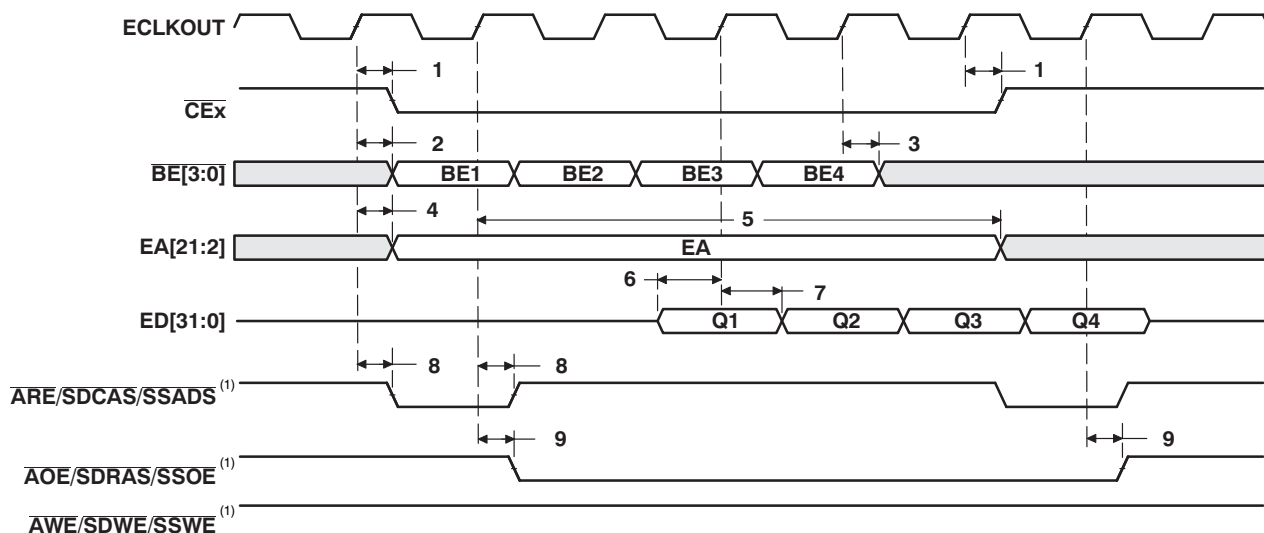
Table 11-10. Switching Characteristics for Synchronous-Burst SRAM Cycles^{(1) (2)}

over recommended operating conditions (see Figure 11-14 and Figure 11-15)

NO.	PARAMETER	MIN	MAX	UNIT
1	$t_d(EKOH-CEV)$ Delay time, ECLKOUT high to \overline{CEx} valid	1.2	7	ns
2	$t_d(EKOH-BEV)$ Delay time, ECLKOUT high to \overline{BEx} valid		7	ns
3	$t_d(EKOH-BEIV)$ Delay time, ECLKOUT high to \overline{BEx} invalid	1.2		ns
4	$t_d(EKOH-EAV)$ Delay time, ECLKOUT high to EAx valid		7	ns
5	$t_d(EKOH-EAIV)$ Delay time, ECLKOUT high to EAx invalid	1.2		ns
8	$t_d(EKOH-ADSV)$ Delay time, ECLKOUT high to $\overline{ARE}/\overline{SDCAS}/\overline{SSADS}$ valid	1.2	7	ns
9	$t_d(EKOH-OEV)$ Delay time, ECLKOUT high to $\overline{AOE}/\overline{SDRAS}/\overline{SSOE}$ valid	1.2	7	ns
10	$t_d(EKOH-EDV)$ Delay time, ECLKOUT high to \overline{EDx} valid		7	ns
11	$t_d(EKOH-EDIV)$ Delay time, ECLKOUT high to \overline{EDx} invalid	1.2		ns
12	$t_d(EKOH-WEV)$ Delay time, ECLKOUT high to $\overline{AWE}/\overline{SDWE}/\overline{SSWE}$ valid	1.2	7	ns

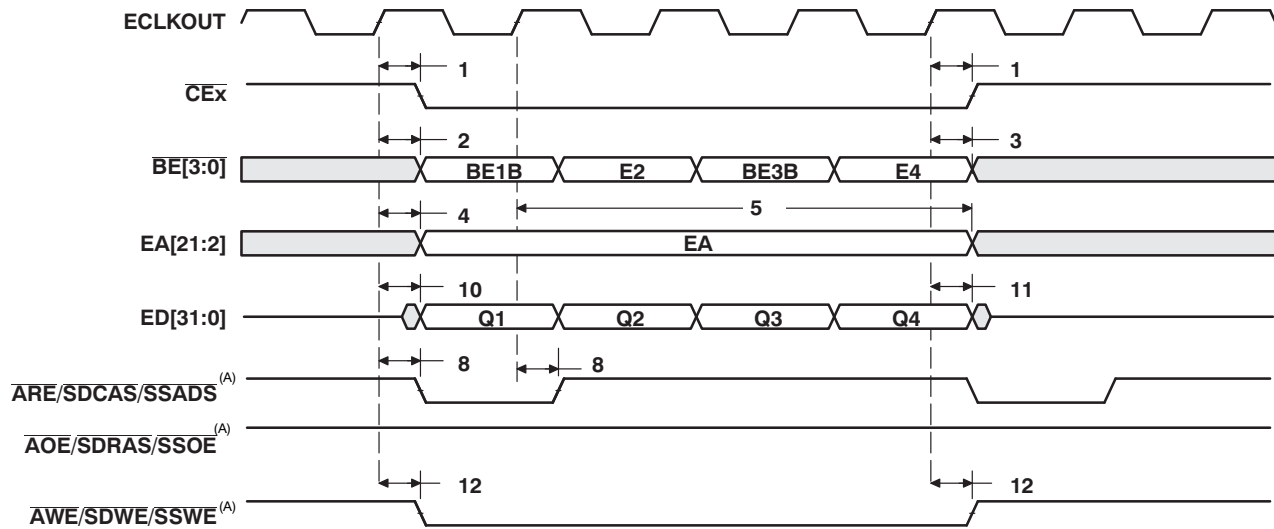
(1) The C6713/13B SBSRAM interface takes advantage of the internal burst counter in the SBSRAM. Accesses default to incrementing 4-word bursts, but random bursts and decrementing bursts are done by interrupting bursts in progress. All burst types can sustain continuous data flow.

(2) $\overline{ARE}/\overline{SDCAS}/\overline{SSADS}$, $\overline{AOE}/\overline{SDRAS}/\overline{SSOE}$, and $\overline{AWE}/\overline{SDWE}/\overline{SSWE}$ operate as \overline{SSADS} , \overline{SSOE} , and \overline{SSWE} , respectively, during SBSRAM accesses.



NOTE (1): $\overline{ARE}/\overline{SDCAS}/\overline{SSADS}$, $\overline{AOE}/\overline{SDRAS}/\overline{SSOE}$, and $\overline{AWE}/\overline{SDWE}/\overline{SSWE}$ operate as \overline{SSADS} , \overline{SSOE} , and \overline{SSWE} , respectively, during SBSRAM accesses.

Figure 11-14. SBSRAM Read Timing



NOTE A: $\overline{\text{ARE}}/\text{SDCAS}/\text{SSADS}$, $\overline{\text{AOE}}/\text{SDRAS}/\text{SSOE}$, and $\overline{\text{AWE}}/\text{SDWE}/\text{SSWE}$ operate as $\overline{\text{SSADS}}$, $\overline{\text{SSOE}}$, and $\overline{\text{SSWE}}$, respectively, during SBSRAM accesses.

Figure 11-15. SBSRAM Write Timing

11.8 Synchronous DRAM Timing

Table 11-11. Timing Requirements for Synchronous DRAM Cycles⁽¹⁾

See Figure 11-16

NO.		MIN	MAX	UNIT
6	$t_{su}(\text{EDV-EKOH})$ Setup time, read EDx valid before ECLKOUT high	1.5		ns
7	$t_h(\text{EKOH-EDV})$ Hold time, read EDx valid after ECLKOUT high	2.5		ns

(1) The C6713/13B SDRAM interface takes advantage of the internal burst counter in the SDRAM. Accesses default to incrementing 4-word bursts, but random bursts and decrementing bursts are done by interrupting bursts in progress. All burst types can sustain continuous data flow.

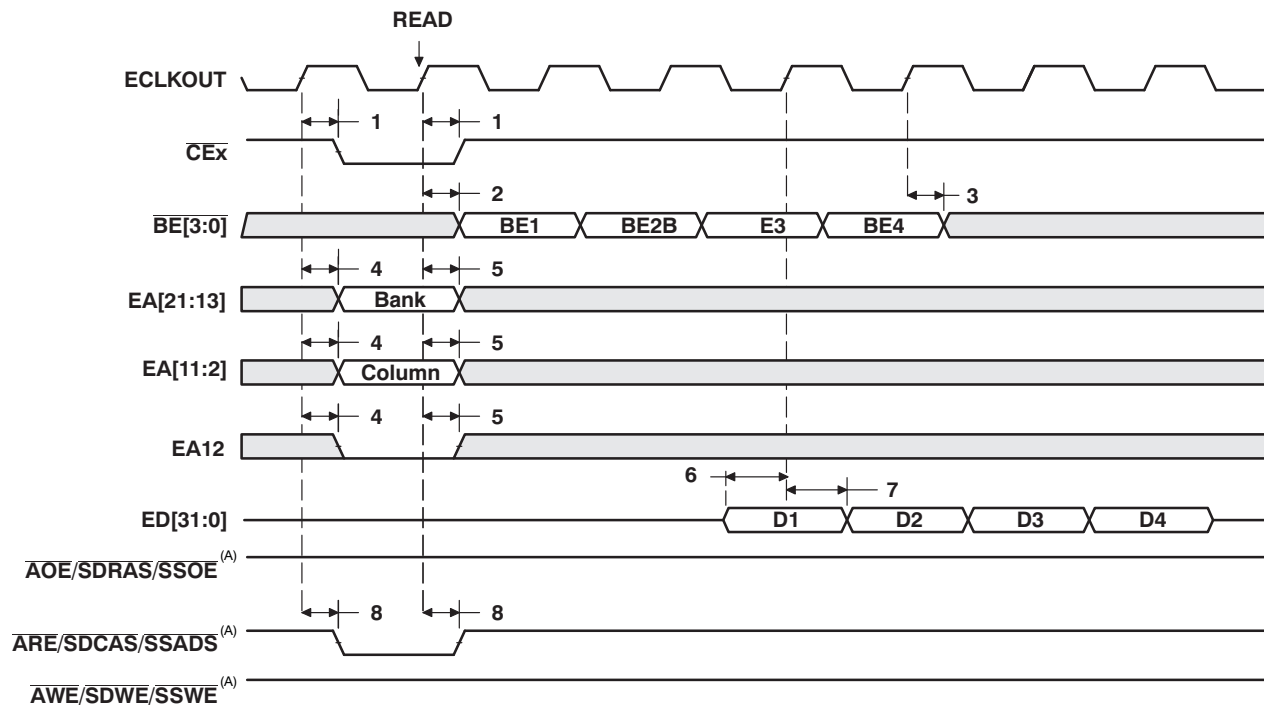
Table 11-12. Switching Characteristics for Synchronous DRAM Cycles^{(1) (2)}

over recommended operating conditions (see Figure 11-16— Figure 11-22)

NO.	PARAMETER	MIN	MAX	UNIT
1	$t_{d}(\text{EKOH-CEV})$ Delay time, ECLKOUT high to $\overline{\text{CEx}}$ valid	1.5	7	ns
2	$t_{d}(\text{EKOH-BEV})$ Delay time, ECLKOUT high to $\overline{\text{BEx}}$ valid		7	ns
3	$t_{d}(\text{EKOH-BEIV})$ Delay time, ECLKOUT high to $\overline{\text{BEx}}$ invalid	1.5		ns
4	$t_{d}(\text{EKOH-EAV})$ Delay time, ECLKOUT high to EAx valid		7	ns
5	$t_{d}(\text{EKOH-EAIV})$ Delay time, ECLKOUT high to EAx invalid	1.5		ns
8	$t_{d}(\text{EKOH-CASV})$ Delay time, ECLKOUT high to $\overline{\text{ARE}}/\text{SDCAS}/\text{SSADS}$ valid	1.5	7	ns
9	$t_{d}(\text{EKOH-EDV})$ Delay time, ECLKOUT high to $\overline{\text{EDx}}$ valid		7	ns
10	$t_{d}(\text{EKOH-EDIV})$ Delay time, ECLKOUT high to $\overline{\text{EDx}}$ invalid	1.5		ns
11	$t_{d}(\text{EKOH-WEV})$ Delay time, ECLKOUT high to $\overline{\text{AWE}}/\text{SDWE}/\text{SSWE}$ valid	1.5	7	ns
12	$t_{d}(\text{EKOH-RAV})$ Delay time, ECLKOUT high to $\overline{\text{AOE}}/\text{SDRAS}/\text{SSOE}$ valid	1.5	7	ns

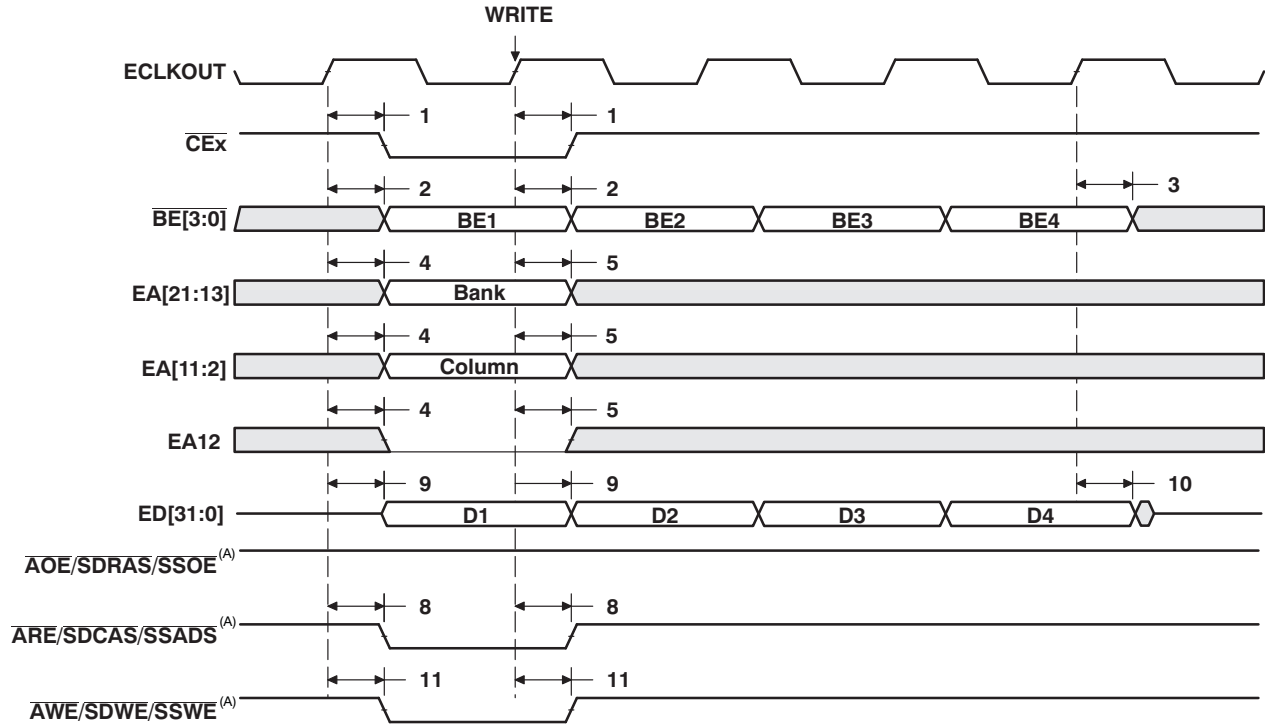
(1) The C6713/13B SDRAM interface takes advantage of the internal burst counter in the SDRAM. Accesses default to incrementing 4-word bursts, but random bursts and decrementing bursts are done by interrupting bursts in progress. All burst types can sustain continuous data flow.

(2) $\overline{\text{ARE}}/\text{SDCAS}/\text{SSADS}$, $\overline{\text{AWE}}/\text{SDWE}/\text{SSWE}$ and $\overline{\text{AOE}}/\text{SDRAS}/\text{SSOE}$ operate as $\overline{\text{SDCAS}}$, $\overline{\text{SWE}}$, and $\overline{\text{SDRAS}}$, respectively, during SDRAM accesses.



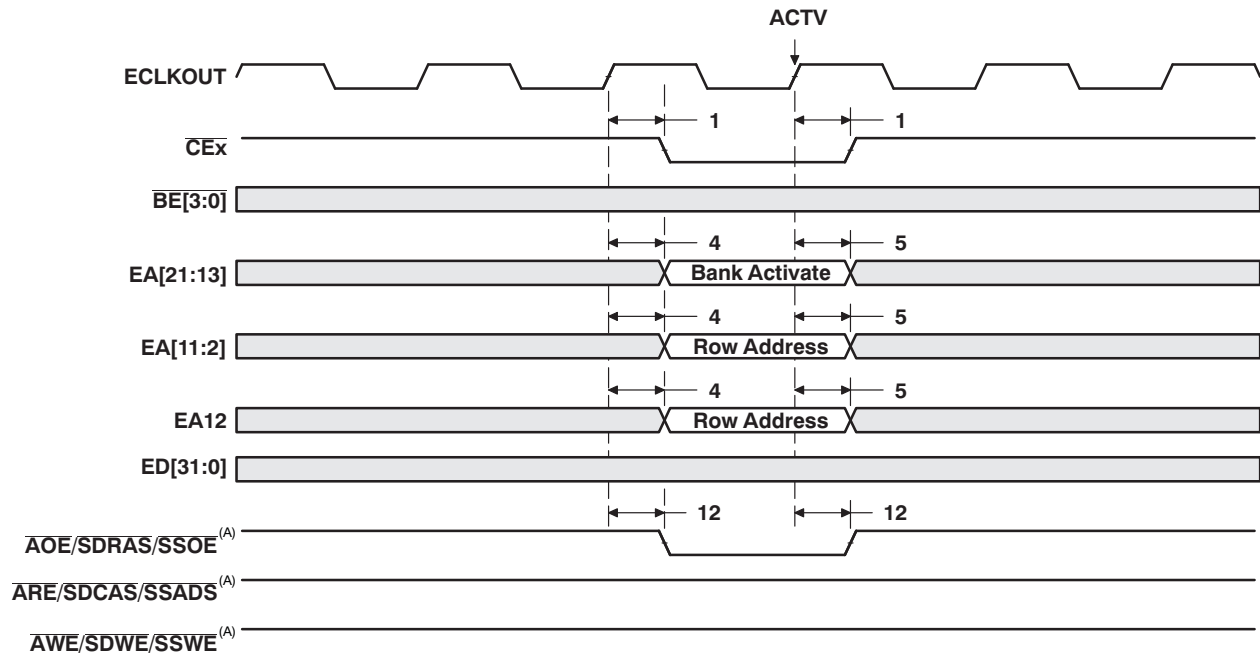
NOTE A: $\overline{\text{ARE}}/\text{SDCAS}/\text{SSADS}$, $\overline{\text{AWE}}/\text{SDWE}/\text{SSWE}$, and $\overline{\text{AOE}}/\text{SDRAS}/\text{SSOE}$ operate as SDCAS , SDWE , and SDRAS , respectively, during SDRAM accesses.

Figure 11-16. SDRAM Read Command (CAS Latency 3)



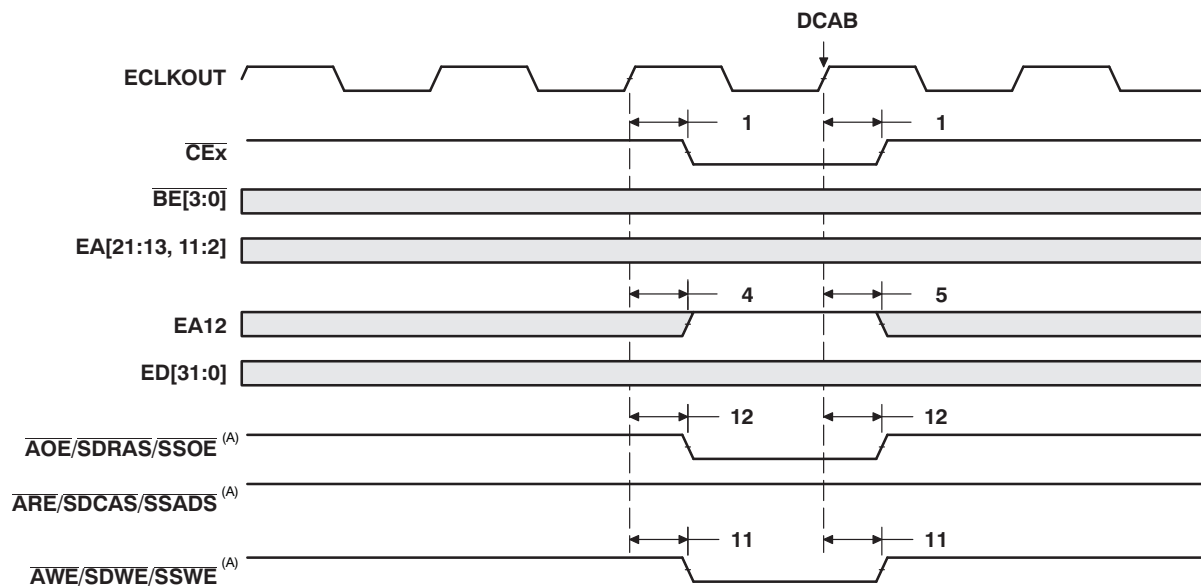
NOTE A: $\overline{\text{ARE}}/\text{SDCAS}/\text{SSADS}$, $\overline{\text{AWE}}/\text{SDWE}/\text{SSWE}$, and $\overline{\text{AOE}}/\text{SDRAS}/\text{SSOE}$ operate as SDCAS , SDWE , and SDRAS , respectively, during SDRAM accesses.

Figure 11-17. SDRAM Write Command



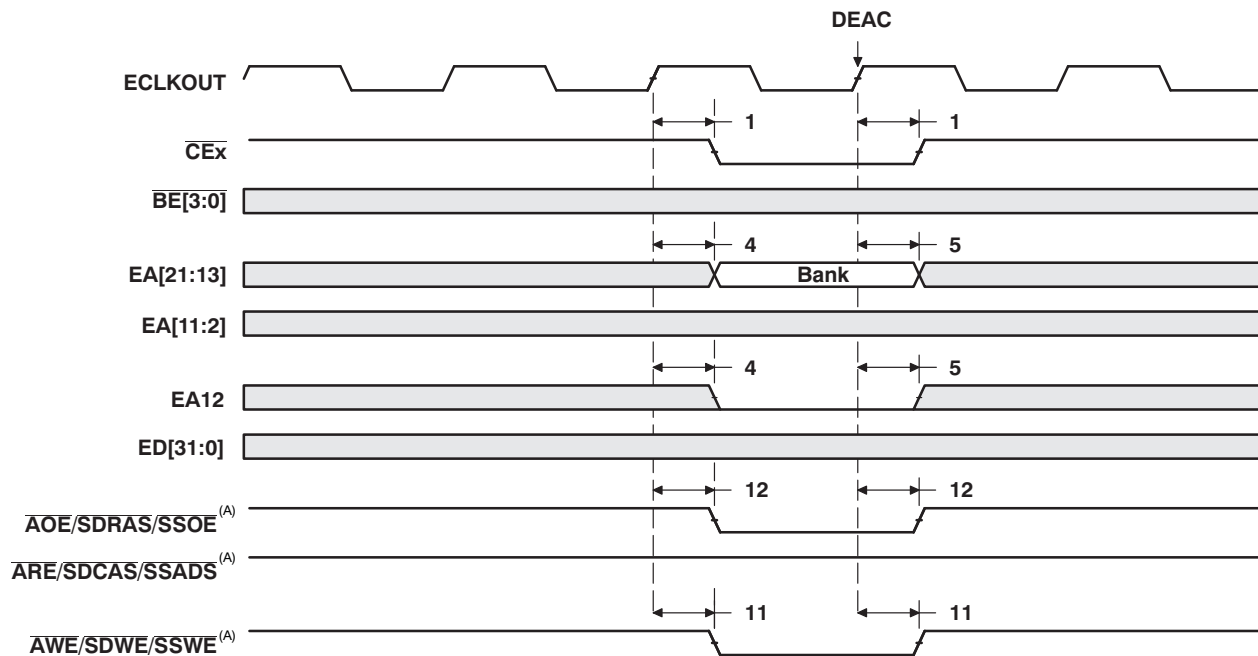
NOTE A: $\overline{\text{ARE}}/\text{SDCAS}/\text{SSADS}$, $\overline{\text{AWE}}/\text{SDWE}/\text{SSWE}$, and $\overline{\text{AOE}}/\text{SDRAS}/\text{SSOE}$ operate as SDCAS , SDWE , and SDRAS , respectively, during SDRAM accesses.

Figure 11-18. SDRAM ACTV Command



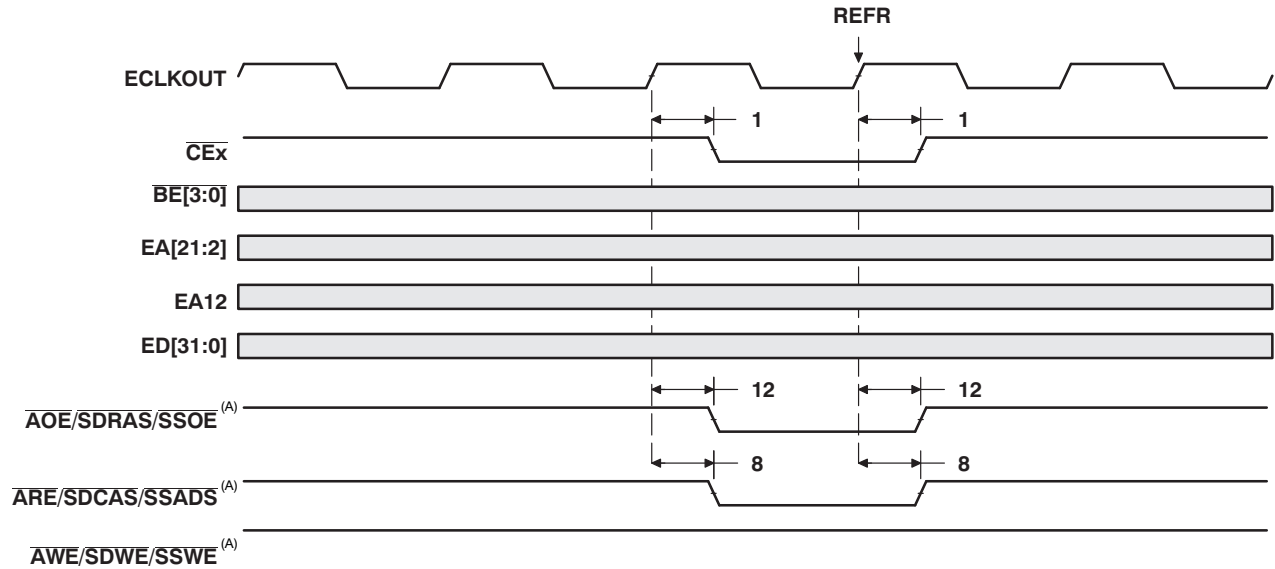
NOTE A: ARE/SDCAS/SSADS, AWE/SDWE/SSWE, and AOE/SDRAS/SSOE operate as SDCAS, SDWE, and SDRAS, respectively, during SDRAM accesses.

Figure 11-19. SDRAM DCAB Command



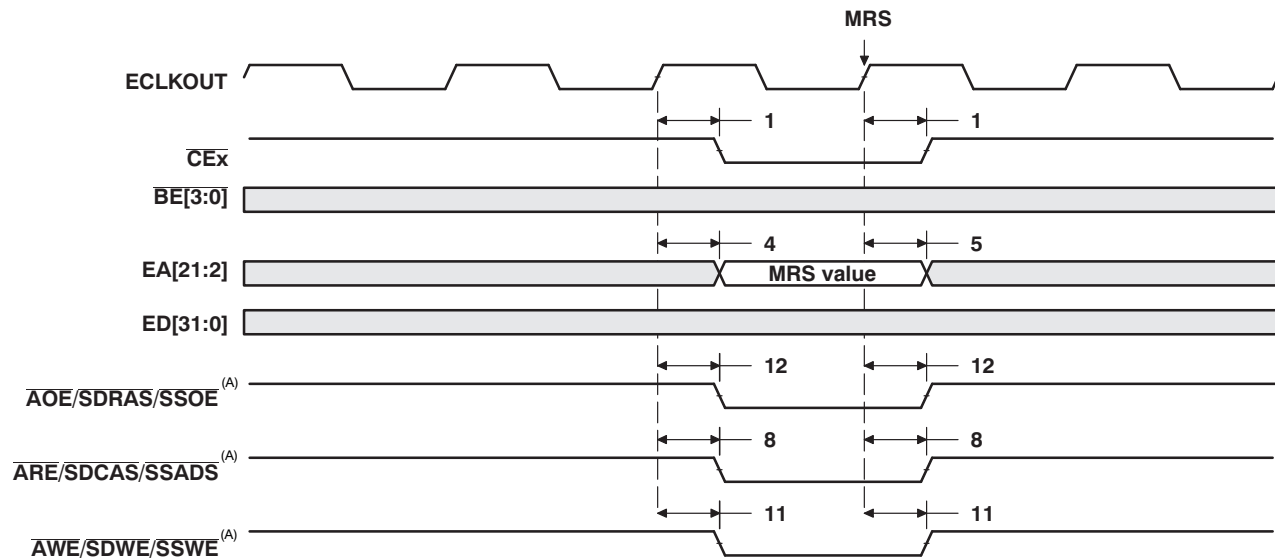
NOTE A: ARE/SDCAS/SSADS, AWE/SDWE/SSWE, and AOE/SDRAS/SSOE operate as SDCAS, SDWE, and SDRAS, respectively, during SDRAM accesses.

Figure 11-20. SDRAM DEAC Command



NOTE A: $\overline{ARE/SDCAS/SSADS}$, $\overline{AWE/SDWE/SSWE}$, and $\overline{AOE/SDRAS/SSOE}$ operate as \overline{SDCAS} , \overline{SDWE} , and \overline{SDRAS} , respectively, during SDRAM accesses.

Figure 11-21. SDRAM REFR Command



NOTE A: $\overline{ARE/SDCAS/SSADS}$, $\overline{AWE/SDWE/SSWE}$, and $\overline{AOE/SDRAS/SSOE}$ operate as \overline{SDCAS} , \overline{SDWE} , and \overline{SDRAS} , respectively, during SDRAM accesses.

Figure 11-22. SDRAM MRS Command

11.9 HOLD/HOLDA Timing

Table 11-13. Timing Requirements for $\overline{\text{HOLD}}/\overline{\text{HOLDA}}$ Cycles⁽¹⁾

See Figure 11-23

NO.	PARAMETER	MIN	MAX	UNIT
3	$t_{h(\text{HOLDAL-HOLDL})}$ Hold time, $\overline{\text{HOLD}}$ low after $\overline{\text{HOLDA}}$ low	E		ns

(1) E = ECLKOUT period in ns

Table 11-14. Switching Characteristics for $\overline{\text{HOLD}}/\overline{\text{HOLDA}}$ Cycles^{(1) (2)}

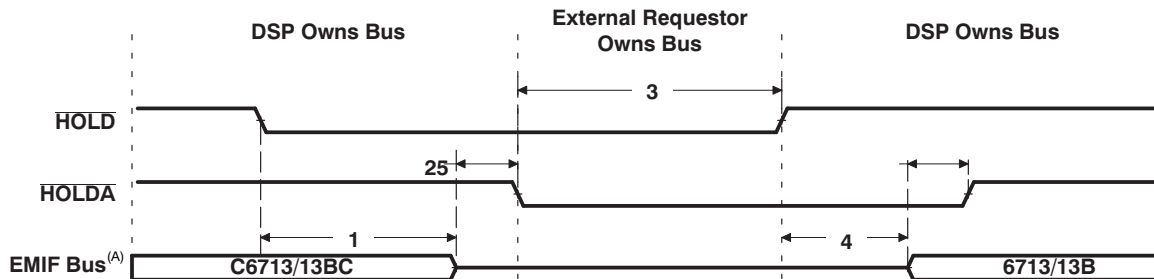
over recommended operating conditions (see Figure 11-23)

NO.	PARAMETER	6713		6713B		UNIT
		MIN	MAX	MIN	MAX	
1	$t_{d(\text{HOLDL-EMHZ})}$ Delay time, $\overline{\text{HOLD}}$ low to EMIF Bus high impedance	2E	⁽³⁾	2E	⁽³⁾	ns
2	$t_{d(\text{EMHZ-HOLDAL})}$ Delay time, EMIF Bus high impedance to $\overline{\text{HOLDA}}$ low	-0.1	2E	0	2E	ns
4	$t_{d(\text{HOLDH-EMLZ})}$ Delay time, $\overline{\text{HOLD}}$ high to EMIF Bus low impedance	2E	7E	2E	7E	ns
5	$t_{d(\text{EMLZ-HOLDAH})}$ Delay time, EMIF Bus low impedance to $\overline{\text{HOLDA}}$ high	-1.5	2E	0	2E	ns

(1) E = ECLKOUT period in ns

(2) EMIF bus consists of $\overline{\text{CE}}[3:0]$, $\overline{\text{BE}}[3:0]$, $\overline{\text{ED}}[31:0]$, $\overline{\text{EA}}[21:2]$, $\overline{\text{ARE}}/\overline{\text{SDCAS}}/\overline{\text{SSADS}}$, $\overline{\text{AOE}}/\overline{\text{SDRAS}}/\overline{\text{SSOE}}$, and $\overline{\text{AWE}}/\overline{\text{SDWE}}/\overline{\text{SSWE}}$.

(3) All pending EMIF transactions are allowed to complete before $\overline{\text{HOLDA}}$ is asserted. If no bus transactions are occurring, then the minimum delay time can be achieved. Also, bus hold can be indefinitely delayed by setting NOHOLD = 1.



NOTE A: EMIF bus consists of $\overline{\text{CE}}[3:0]$, $\overline{\text{BE}}[3:0]$, $\overline{\text{ED}}[31:0]$, $\overline{\text{EA}}[21:2]$, $\overline{\text{ARE}}/\overline{\text{SDCAS}}/\overline{\text{SSADS}}$, $\overline{\text{AWE}}/\overline{\text{SDWE}}/\overline{\text{SSWE}}$, and $\overline{\text{AOE}}/\overline{\text{SDRAS}}/\overline{\text{SSOE}}$.

Figure 11-23. $\overline{\text{HOLD}}/\overline{\text{HOLDA}}$ Timing

11.10 BUSREQ Timing

Table 11-15. Switching Characteristics for BUSREQ Cycles

over recommended operating conditions (see Figure 11-24)

NO.	PARAMETER	MIN	MAX	UNIT
1	$t_{d(\text{EKOH-BUSRV})}$ Delay time, ECLKOUT high to BUSREQ valid	1.5	7.2	ns

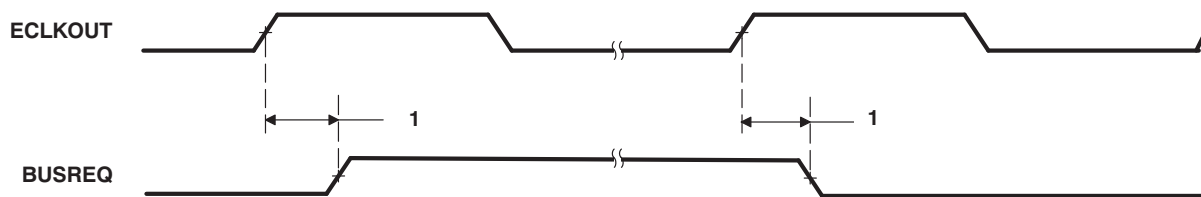


Figure 11-24. BUSREQ

11.11 Reset Timing

Table 11-16. Timing Requirements for $\overline{\text{RESET}}$ (1) (2)

See [Figure 11-25](#)

NO.		MIN	MAX	UNIT
1	$t_{w(\text{RST})}$ Pulse duration, $\overline{\text{RESET}}$	100		ns
13	$t_{su(\text{HD})}$ Setup time, HD boot configuration bits valid before $\overline{\text{RESET}}$ high ⁽³⁾	2P		ns
14	$t_{h(\text{HD})}$ Hold time, HD boot configuration bits valid after $\overline{\text{RESET}}$ high ⁽³⁾	2P		ns

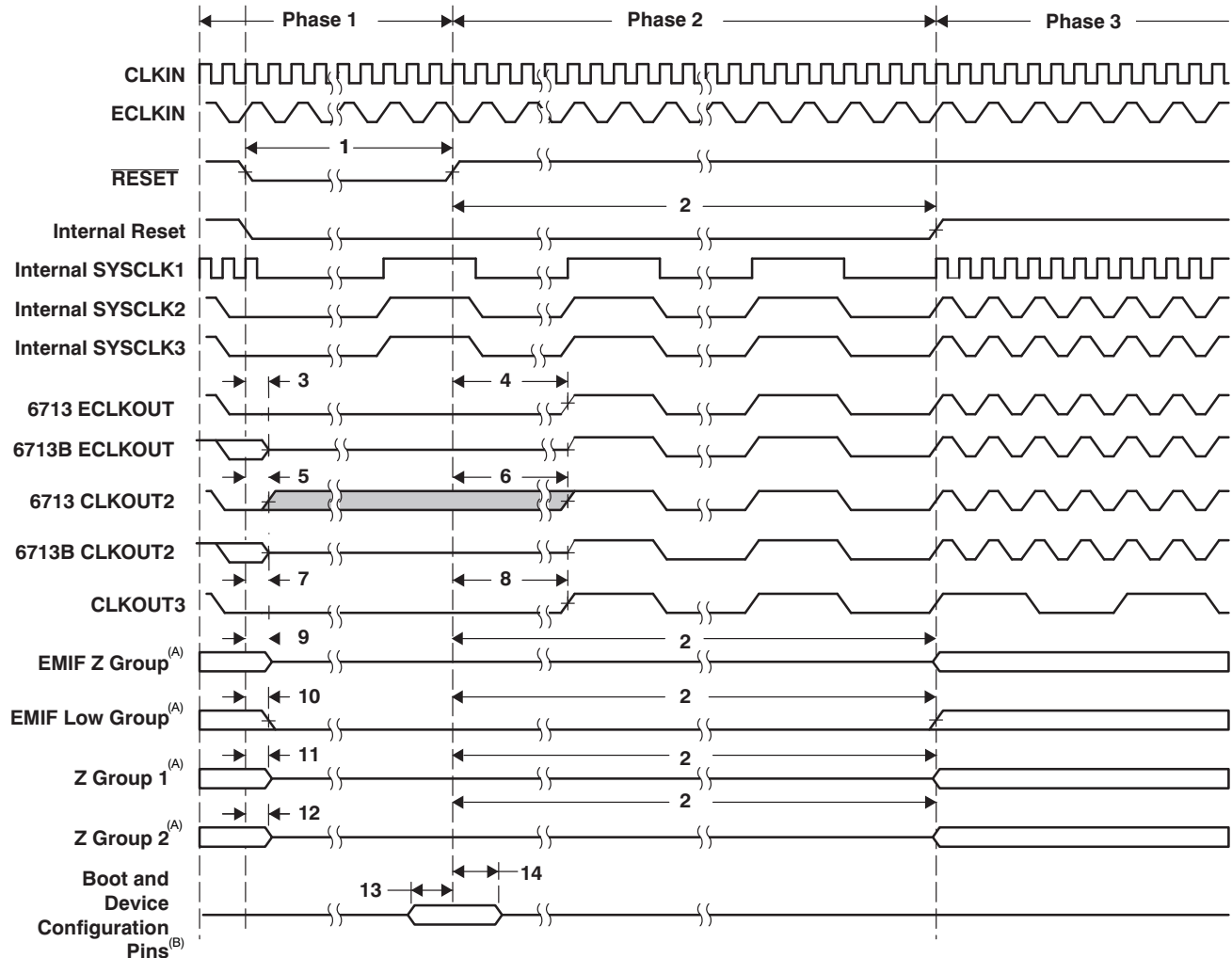
- (1) P = 1/CPU clock frequency in ns. For example, when running parts at 300 MHz, use P = 3.3 ns.
 (2) For the C6713/13B device, the PLL is bypassed immediately after the device comes out of reset. The PLL controller can be programmed to change the PLL mode in software. For more detailed information on the PLL controller, see the *TMS320C6000 DSP Phase-Lock Loop (PLL) Controller Peripheral Reference Guide* (literature number [SPRU233](#)).
 (3) The boot and device configurations bits are latched asynchronously when $\overline{\text{RESET}}$ is transitioning high. The boot and device configurations bits consist of HD[14, 8, 4:3].

Table 11-17. Switching Characteristics For $\overline{\text{RESET}}$ (1)

over recommended operating conditions (see [Figure 11-25](#))

NO.	PARAMETER		MIN	MAX	UNIT
2	$t_d(\text{RSTH-ZV})$	Delay time, external $\overline{\text{RESET}}$ high to internal reset high and all signal groups valid ^{(2) (3)}	512 x CLKIN period		ns
3a	$t_d(\text{RSTL-ECKOL})$	Delay time, $\overline{\text{RESET}}$ low to ECLKOUT low (6713)	0		ns
3b	$t_d(\text{RSTL-ECKOL})$	Delay time, $\overline{\text{RESET}}$ low to ECLKOUT high impedance (6713B)	0		ns
4	$t_d(\text{RSTH-ECKOV})$	Delay time, $\overline{\text{RESET}}$ high to ECLKOUT valid		6P	ns
5a	$t_d(\text{RSTL-CKO2IV})$	Delay time, $\overline{\text{RESET}}$ low to CLKOUT2 invalid (6713)	0		ns
5b	$t_d(\text{RSTL-CKO2IV})$	Delay time, $\overline{\text{RESET}}$ low to CLKOUT2 high impedance (6713B)	0		ns
6	$t_d(\text{RSTH-CKO2V})$	Delay time, $\overline{\text{RESET}}$ high to CLKOUT2 valid		6P	ns
7	$t_d(\text{RSTL-CKO3L})$	Delay time, $\overline{\text{RESET}}$ low to CLKOUT3 low	0		ns
8	$t_d(\text{RSTH-CKO3V})$	Delay time, $\overline{\text{RESET}}$ high to CLKOUT3 valid		6P	ns
9	$t_d(\text{RSTL-EMIFZH})$	Delay time, $\overline{\text{RESET}}$ low to EMIF Z group high impedance ⁽³⁾	0		ns
10	$t_d(\text{RSTL-EMIFLIV})$	Delay time, $\overline{\text{RESET}}$ low to EMIF low group (BUSREQ) invalid ⁽³⁾	0		ns
11	$t_d(\text{RSTL-Z1HZ})$	Delay time, $\overline{\text{RESET}}$ low to Z group 1 high impedance ⁽³⁾	0		ns
12	$t_d(\text{RSTL-Z2HZ})$	Delay time, $\overline{\text{RESET}}$ low to Z group 2 high impedance ⁽³⁾	0		ns

- (1) P = 1/CPU clock frequency in ns. Note that while internal reset is asserted low, the CPU clock (SYSCLK1) period is equal to the input clock (CLKIN) period multiplied by 8. For example, if the CLKIN period is 20 ns, the CPU clock (SYSCLK1) period is 20 ns x 8 = 160 ns. Therefore, P = SYSCLK1 = 160 ns while internal reset is asserted.
 (2) The internal reset is stretched exactly 512 x CLKIN cycles if CLKIN is used (CLKMODE0 = 1). If the input clock (CLKIN) is not stable when $\overline{\text{RESET}}$ is deasserted, the actual delay time may vary.
 (3) EMIF Z group consists of EA[21:2], ED[31:0], CE[3:0], BE[3:0], ARE/SDCAS/SSADS, AWE/SDWE/SSWE, AOE/SDRAS/SSOE, and HOLDA.
 EMIF low group consists of BUSREQ.
 Z group 1 consists of CLKR0/ACLKR0, CLKR1/AXR0[6], CLKX0/ACLKX0, CLKX1/AMUTE0, FSR0/AFSR0, FSR1/AXR0[7], FSX0/AFSX0, FSX1, DX0/AXR0[1], DX1/AXR0[5], TOUT0/AXR0[2], TOUT1/AXR0[4], SDA0, and SCL0.
 Z group 2 consists of all other HPI, McASP0/1, GPIO, and I2C1 signals.



NOTES A: EMIF Z group consists of EA[21:2], ED[31:0], CE[3:0], BE[3:0], ARE/SDCAS/SSADS, AWE/SDWE/SSWE, AOE/SDRAS/SSOE, and HOLDA. EMIF low group consists of BUSREQ.

Z group 1 consists of CLKR0/ACLKR0, CLKR1/AXR0[6], CLKX0/ACLKX0, CLKX1/AMUTE0, FSR0/AFSR0, FSR1/AXR0[7], FSX0/AFSX0, FSX1, DX0/AXR0[1], DX1/AXR0[5], TOUT0/AXR0[2], TOUT1/AXR0[4], SDA0, and SCL0.

Z group 2 consists of All other HPI, McASP0/1, GPIO, and I2C1 signals.

B: Boot and device configurations consist of: HD[14, 8, 4:3].

Figure 11-25. Reset Timing

Reset Phase 1: The $\overline{\text{RESET}}$ pin is asserted. During this time, all internal clocks are running at the CLKIN frequency divide-by-8. The CPU is also running at the CLKIN frequency divide-by-8.

Reset Phase 2: The $\overline{\text{RESET}}$ pin is deasserted but the internal reset is stretched. During this time, all internal clocks are running at the CLKIN frequency divide-by-8. The CPU is also running at the CLKIN frequency divide-by-8.

Reset Phase 3: Both the $\overline{\text{RESET}}$ pin and internal reset are deasserted. During this time, all internal clocks are running at their default divide-down frequency of CLKIN. The CPU clock (SYSCLK1) is running at CLKIN frequency. The peripheral clock (SYSCLK2) is running at CLKIN frequency divide-by-2. The EMIF internal clock source (SYSCLK3) is running at CLKIN frequency divide-by-2. SYSCLK3 is reflected on the ECLKOUT pin (when EKSRC bit = 0 [default]). CLKOUT3 is running at CLKIN frequency divide-by-8.

11.12 External Interrupt Timing

Table 11-18. Timing Requirements for External Interrupts⁽¹⁾

See [Figure 11-26](#)

NO.			MIN	MAX	UNIT
1	$t_{w(ILOW)}$	Width of the NMI interrupt pulse low	2P		ns
		Width of the EXT_INT interrupt pulse low	4P		ns
2	$t_{w(IHIGH)}$	Width of the NMI interrupt pulse high	2P		ns
		Width of the EXT_INT interrupt pulse high	4P		ns

(1) P = 1/CPU clock frequency in ns. For example, when running parts at 300 MHz, use P = 3.3 ns.

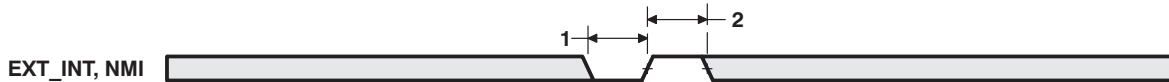


Figure 11-26. External/NMI Interrupt

11.13 Multichannel Audio Serial Port (McASP) Timing

Table 11-19. Timing Requirements for McASP

See Figure 11-27 and Figure 11-28

NO.				6713		6713B		UNIT
				MIN	MAX	MIN	MAX	
1	$t_{c(AHCKRX)}$	Cycle time, AHCLKR/X		20		20		ns
2	$t_{w(AHCKRX)}$	Pulse duration, AHCLKR/X high or low		7.5		7.5		ns
3	$t_{c(ACKRX)}$	Cycle time, ACLKR/X	ACLKR/X ext	Greater of 2P ⁽¹⁾ or 33		33		ns
4	$t_{w(ACKRX)}$	Pulse duration, ACLKR/X high or low	ACLKR/X ext	14		14		ns
5	$t_{su(AFRXC-ACKRX)}$	Setup time, AFSR/X input valid before ACLKR/X latches data	ACLKR/X int	6		6		ns
			ACLKR/X ext	3		3		ns
6	$t_{h(ACKRX-AFRX)}$	Hold time, AFSR/X input valid after ACLKR/X latches data	ACLKR/X int	0		0		ns
			ACLKR/X ext	3		3		ns
7	$t_{su(AXR-ACKRX)}$	Setup time, AXR input valid before ACLKR/X latches data	ACLKR/X int	10.2		8		ns
			ACLKR/X ext	6		3		ns
8	$t_{h(ACKRX-AXR)}$	Hold time, AXR input valid after ACLKR/X latches data	ACLKR/X int	1		1		ns
			ACLKR/X ext	3		3		ns

(1) P = SYSCLK2 period

Table 11-20. Switching Characteristics for McASP⁽¹⁾

over recommended operating conditions (see Figure 11-27 and Figure 11-28)

NO.	PARAMETER			MIN	MAX	UNIT
9	$t_{c(AHCKRX)}$	Cycle time, AHCLKR/X		20		ns
10	$t_{w(AHCKRX)}$	Pulse duration, AHCLKR/X high or low		(AH/2) – 2.5		ns
11	$t_{c(ACKRX)}$	Cycle time, ACLKR/X	ACLKR/X int	Greater of 2P ⁽²⁾ or 33		ns
12	$t_{w(ACKRX)}$	Pulse duration, ACLKR/X high or low	ACLKR/X int	(AH/2) – 2.5		ns
13	$t_{d(ACKRX-AFRX)}$	Delay time, ACLKR/X transmit edge to AFSX/R output valid	ACLKR/X int	–1	5	ns
			ACLKR/X ext	0	10	ns
14	$t_{d(ACKX-AXRV)}$	Delay time, ACLKX transmit edge to AXR output valid	ACLKR/X int	–1	5	ns
			ACLKR/X ext	0	10	ns
15	$t_{dis(ACKRX-AXRHZ)}$	Disable time, AXR high impedance following last data bit from ACLKR/X transmit edge	ACLKR/X int	–1	10	ns
			ACLKR/X ext	–1	10	ns

(1) AH = AHCLKR/X period in ns; A = ACLKR/X period in ns

(2) P = SYSCLK2 period

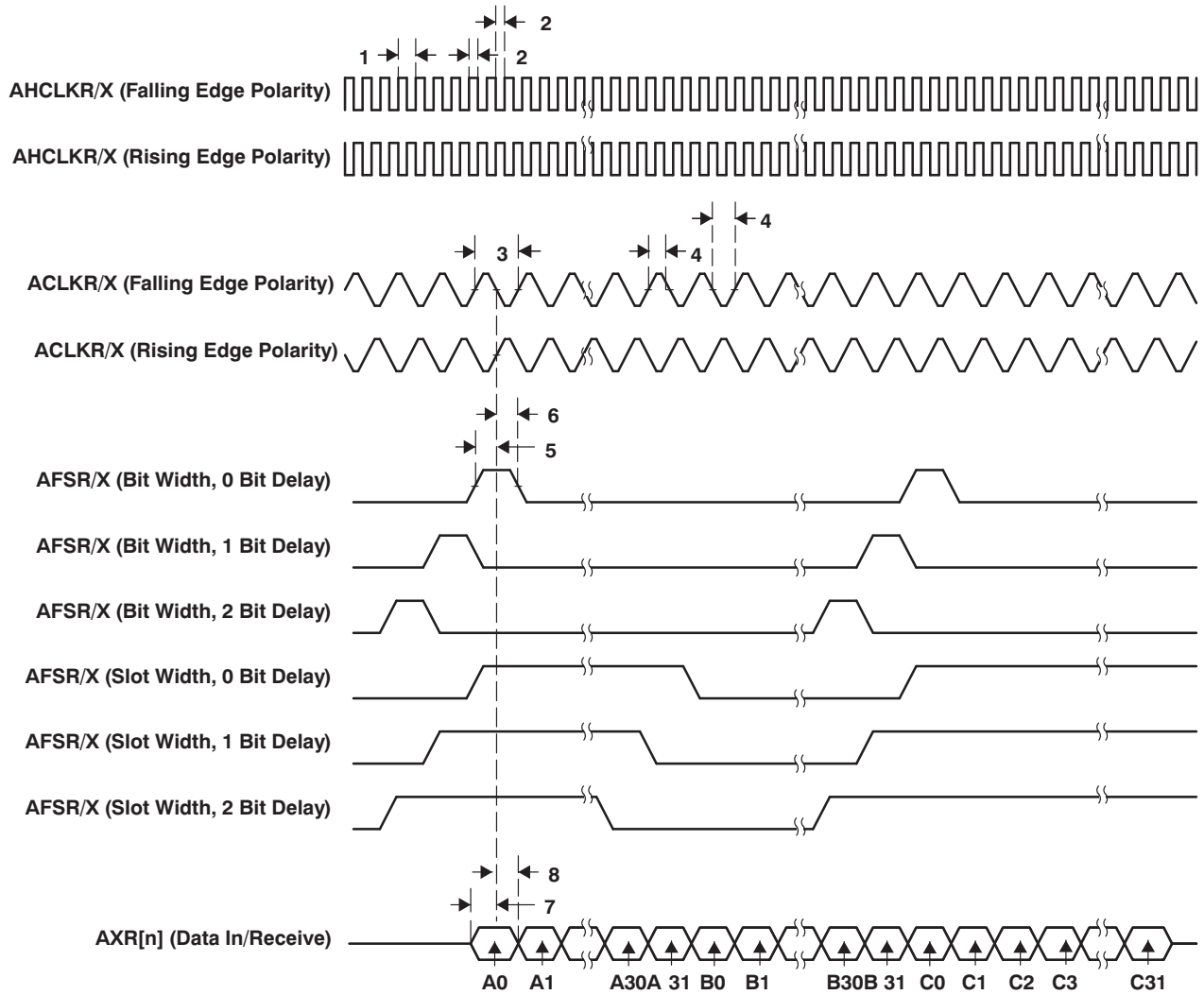


Figure 11-27. McASP Input Timings

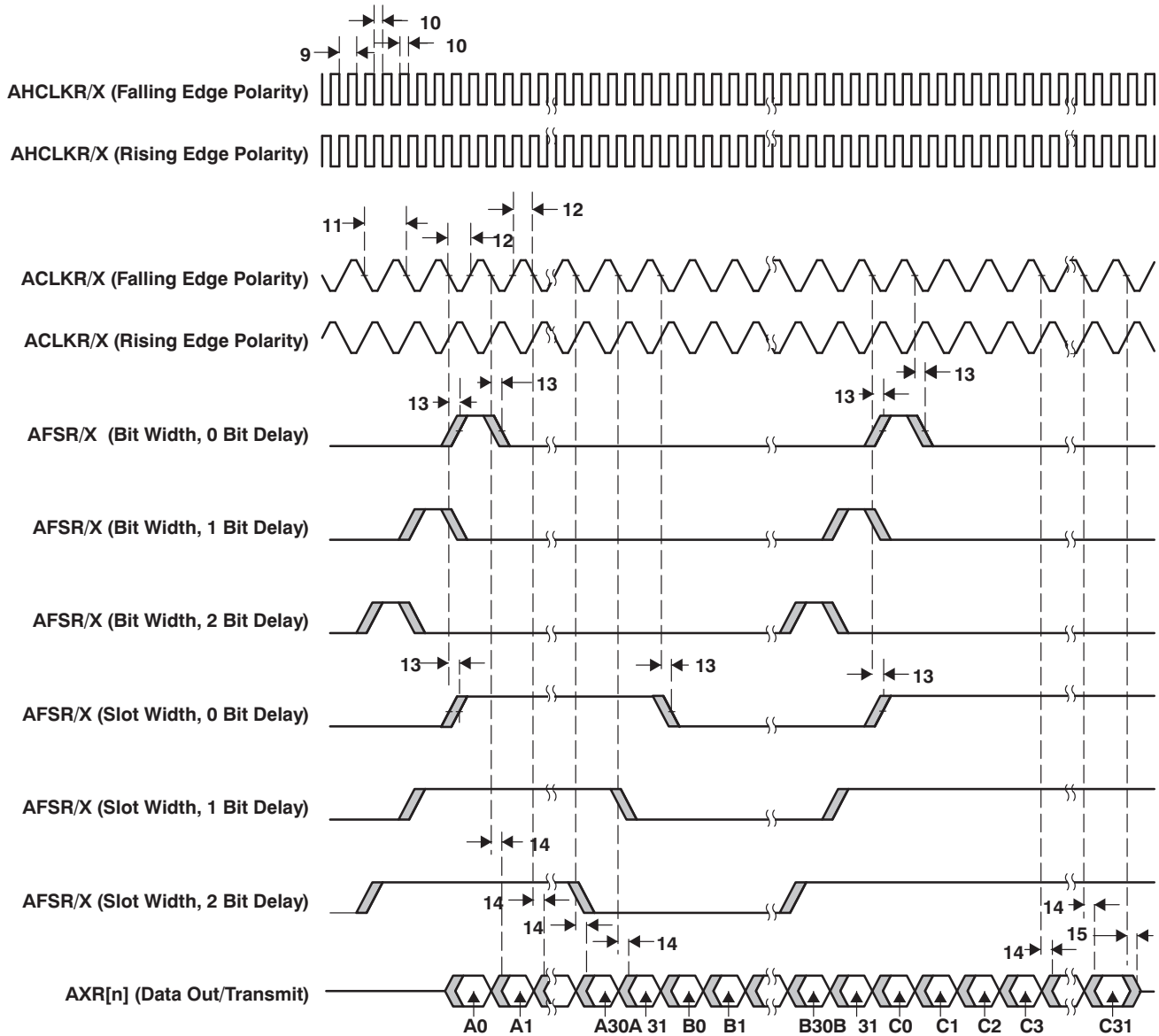


Figure 11-28. McASP Output Timings

11.14 Inter-Integrated Circuits (I²C) Timing

Table 11-21. Timing Requirements for I²C⁽¹⁾

See Figure 11-29

NO.		STANDARD MODE		FAST MODE		UNIT
		MIN	MAX	MIN	MAX	
1	$t_{c(SCL)}$ Cycle time, SCL	10		2.5		μ s
2	$t_{su(SCLH-SDAL)}$ Setup time, SCL high before SDA low (for a repeated START condition)	4.7		0.6		μ s
3	$t_{h(SCLL-SDAL)}$ Hold time, SCL low after SDA low (for a START and a repeated START condition)	4		0.6		μ s
4	$t_{w(SCLL)}$ Pulse duration, SCL low	4.7		1.3		μ s
5	$t_{w(SCLH)}$ Pulse duration, SCL high	4		0.6		μ s
6	$t_{su(SDAV-SDLH)}$ Setup time, SDA valid before SCL high	250		100 ⁽²⁾		ns
7	$t_{h(SDA-SDLL)}$ Hold time, SDA valid after SCL low (for I ² C bus devices)	0 ⁽³⁾		0 ⁽³⁾	0.9 ⁽⁴⁾	μ s
8	$t_{w(SDAH)}$ Pulse duration, SDA high between STOP and START conditions	4.7		1.3		μ s
9	$t_{r(SDA)}$ Rise time, SDA		1000	$20 + 0.1C_b$ ⁽⁵⁾	300	ns
10	$t_{r(SCL)}$ Rise time, SCL		1000	$20 + 0.1C_b$ ⁽⁵⁾	300	ns
11	$t_{f(SDA)}$ Fall time, SDA		300	$20 + 0.1C_b$ ⁽⁵⁾	300	ns
12	$t_{f(SCL)}$ Fall time, SCL		300	$20 + 0.1C_b$ ⁽⁵⁾	300	ns
13	$t_{su(SCLH-SDAH)}$ Setup time, SCL high before SDA high (for STOP condition)	4		0.6		μ s
14	$t_{w(SP)}$ Pulse duration, spike (must be suppressed)			0	50	ns
15	C_b ⁽⁵⁾ Capacitive load for each bus line		400		400	pF

- (1) The I²C pins SDA and SCL do not feature fail-safe I/O buffers. These pins could potentially draw current when the device is powered down.
- (2) A fast-mode I²C-bus device can be used in a standard-mode I²C-bus system, but the requirement $t_{su(SDA-SCLH)} \geq 250$ ns must then be met. This will automatically be the case if the device does not stretch the LOW period of the SCL signal. If such a device does stretch the LOW period of the SCL signal, it must output the next data bit to the SDA line $t_r + t_{su(SDA-SCLH)} = 1000 + 250 = 1250$ ns (according to the standard-mode I²C-bus specification) before the SCL line is released.
- (3) A device must internally provide a hold time of at least 300 ns for the SDA signal (referred to the V_{IH} min of the SCL signal) to bridge the undefined region of the falling edge of SCL.
- (4) The maximum $t_{h(SDA-SCLL)}$ has only to be met if the device does not stretch the low period [$t_{w(SCLL)}$] of the SCL signal.
- (5) C_b = total capacitance of one bus line in pF. If mixed with HS-mode devices, faster fall times are allowed.

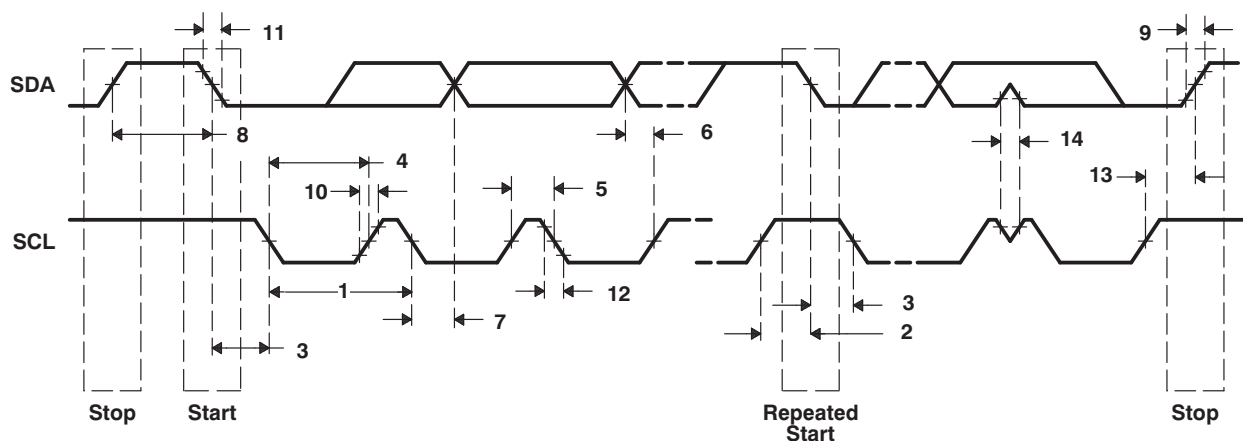


Figure 11-29. I²C Receive

Table 11-22. Switching Characteristics for I²C⁽¹⁾

over recommended operating conditions (see Figure 11-30)

NO.	PARAMETER	STANDARD MODE		FAST MODE		UNIT
		MIN	MAX	MIN	MAX	
16	t _{c(SCL)} Cycle time, SCL	10		2.5		μs
17	t _{d(SCLH-SDAL)} Delay time, SCL high to SDA low (for a repeated START condition)	4.7		0.6		μs
18	t _{d(SDAL-SCLL)} Delay time, SDA low to SCL low (for a START and a repeated START condition)	4		0.6		μs
19	t _{w(SCLL)} Pulse duration, SCL low	4.7		1.3		μs
20	t _{w(SCLH)} Pulse duration, SCL high	4		0.6		μs
21	t _{d(SDAV-SDLH)} Delay time, SDA valid to SCL high	250		100		ns
22	t _{v(SDLL-SDAV)} Valid time, SDA valid after SCL low (for I ² C bus devices)	0		0	0.9	μs
23	t _{w(SDAH)} Pulse duration, SDA high between STOP and START conditions	4.7		1.3		μs
24	t _{r(SDA)} Rise time, SDA		1000	20 + 0.1C _b ⁽¹⁾	300	ns
25	t _{r(SCL)} Rise time, SCL		1000	20 + 0.1C _b ⁽¹⁾	300	ns
26	t _{f(SDA)} Fall time, SDA		300	20 + 0.1C _b ⁽¹⁾	300	ns
27	t _{f(SCL)} Fall time, SCL		300	20 + 0.1C _b ⁽¹⁾	300	ns
28	t _{d(SCLH-SDAH)} Delay time, SCL high to SDA high (for STOP condition)	4		0.6		μs
30	C _b Capacitance for each I2C pin		10		10	pF

(1) C_b = total capacitance of one bus line in pF. If mixed with HS-mode devices, faster fall-times are allowed.

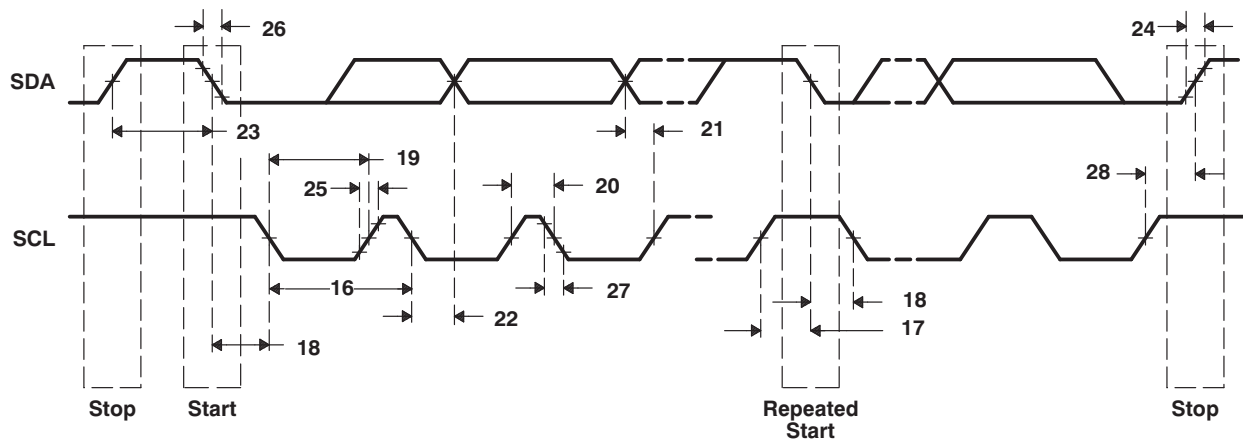


Figure 11-30. I²C Transmit Timings

11.15 Host-Port Interface Timing

Table 11-23. Timing Requirements for Host-Port Interface Cycles^{(1) (2)}

See [Figure 11-31](#)—[Figure 11-34](#)

NO.		6713		6713B		UNIT
		MIN	MAX	MIN	MAX	
1	$t_{su}(SELV-HSTBL)$ Setup time, select signals valid before $\overline{HSTROBE}$ low ⁽³⁾	5		5		ns
2	$t_h(HSTBL-SELV)$ Hold time, select signals valid after $\overline{HSTROBE}$ low ⁽³⁾	4		4		ns
3	$t_w(HSTBL)$ Pulse duration, $\overline{HSTROBE}$ low (host read access)	10P + 5.8		4P		ns
		Pulse duration, $\overline{HSTROBE}$ low (host write access)		4P		ns
4	$t_w(HSTBH)$ Pulse duration, $\overline{HSTROBE}$ high between consecutive accesses	4P		4P		ns
10	$t_{su}(SELV-HASL)$ Setup time, select signals valid before \overline{HAS} low ⁽³⁾	5		5		ns
11	$t_h(HASL-SELV)$ Hold time, select signals valid after \overline{HAS} low ⁽³⁾	3		3		ns
12	$t_{su}(HDV-HSTBH)$ Setup time, host data valid before $\overline{HSTROBE}$ high	5		5		ns
13	$t_h(HSTBH-HDV)$ Hold time, host data valid after $\overline{HSTROBE}$ high	3		3		ns
14	$t_h(HRDYL-HSTBL)$ Hold time, $\overline{HSTROBE}$ low after \overline{HRDY} low. $\overline{HSTROBE}$ should not be inactivated until \overline{HRDY} is active (low); otherwise, HPI writes will not complete properly.	2		2		ns
18	$t_{su}(HASL-HSTBL)$ Setup time, \overline{HAS} low before $\overline{HSTROBE}$ low	2		2		ns
19	$t_h(HSTBL-HASL)$ Hold time, \overline{HAS} low after $\overline{HSTROBE}$ low	2		2		ns

(1) $\overline{HSTROBE}$ refers to the following logical operation on \overline{HCS} , $\overline{HDS1}$, and $\overline{HDS2}$: $[\text{NOT}(\overline{HDS1} \text{ XOR } \overline{HDS2})] \text{ OR } \overline{HCS}$.

(2) P = 1/CPU clock frequency in ns. For example, when running parts at 300 MHz, use P = 3.3 ns.

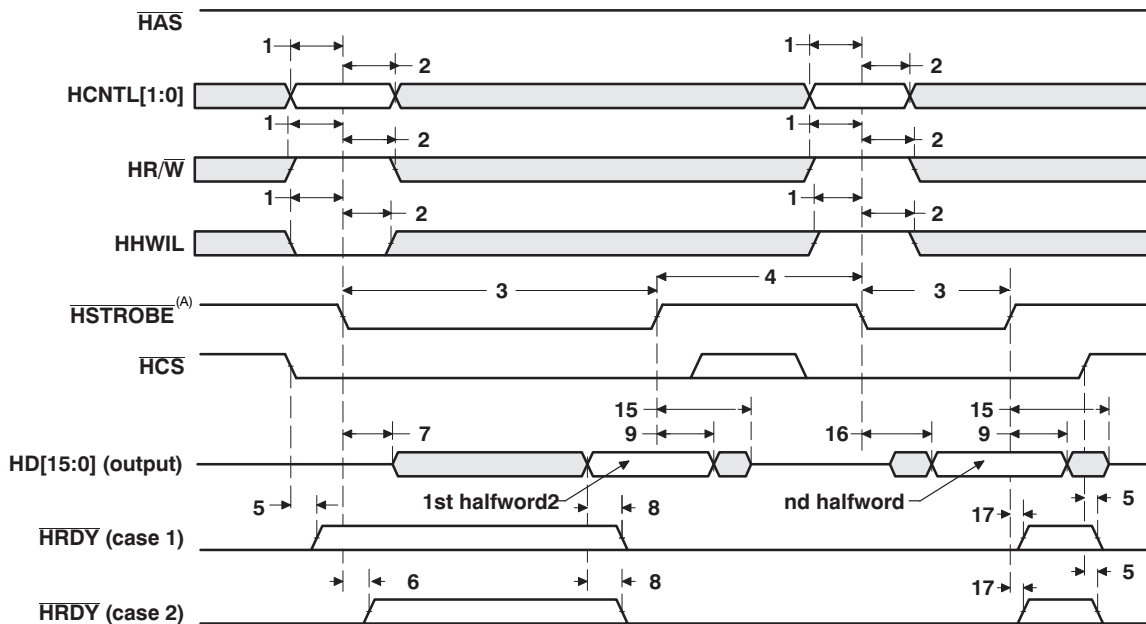
(3) Select signals include $\overline{HCNTL}[1:0]$, $\overline{HR/W}$, and \overline{HHWIL} .

Table 11-24. Switching Characteristics for Host-Port Interface Cycles^{(1) (2)}

over recommended operating conditions (see Figure 11-31—Figure 11-34)

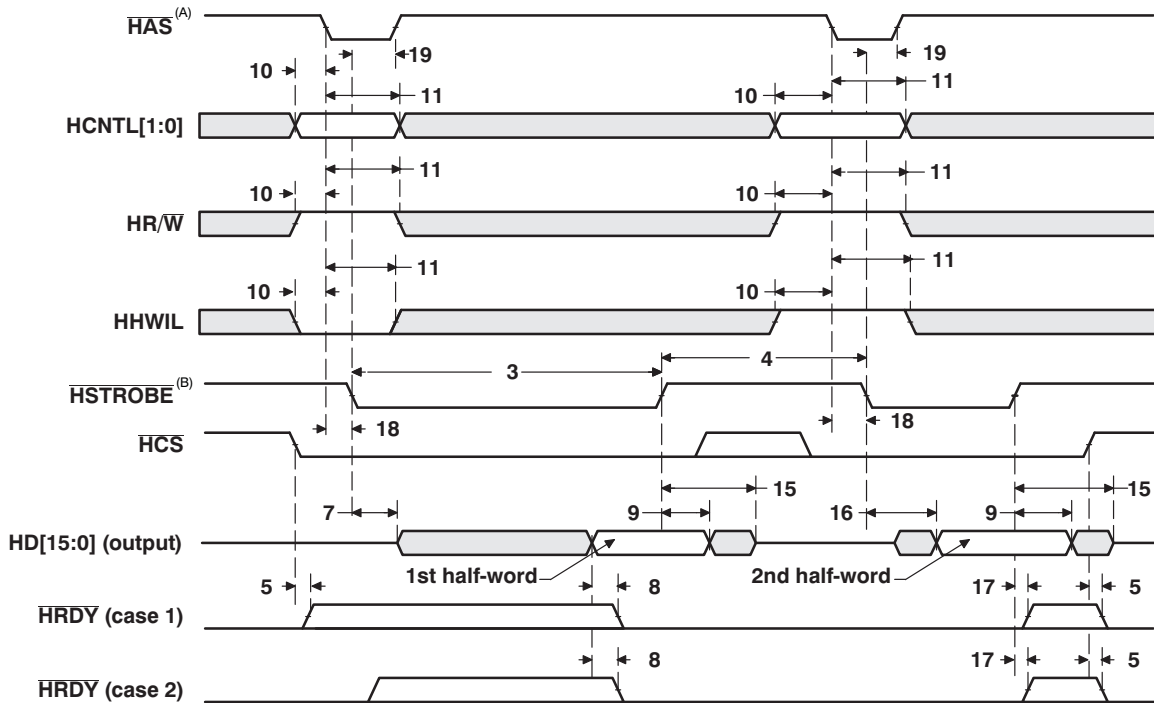
NO.	PARAMETER	6713		6713B		UNIT
		MIN	MAX	MIN	MAX	
5	$t_{d(HCS-HRDY)}$ Delay time, \overline{HCS} to \overline{HRDY} ⁽³⁾	1	15	1	12	ns
6	$t_{d(HSTBL-HRDYH)}$ Delay time, $\overline{HSTROBE}$ low to \overline{HRDY} high ⁽⁴⁾	3	15	3	12	ns
7	$t_{d(HSTBL-HDLZ)}$ Delay time, $\overline{HSTROBE}$ low to HD low impedance for an HPI read	2		2		ns
8	$t_{d(HDV-HRDYL)}$ Delay time, HD valid to \overline{HRDY} low	2P – 4		2P – 4		ns
9	$t_{oh(HSTBH-HDV)}$ Output hold time, HD valid after $\overline{HSTROBE}$ high	3	12	3	12	ns
15	$t_{d(HSTBH-HDHZ)}$ Delay time, $\overline{HSTROBE}$ high to HD high impedance	2	12	3	12	ns
16	$t_{d(HSTBL-HDV)}$ Delay time, $\overline{HSTROBE}$ low to HD valid	3	10P + 5.8	3	12.5	ns
17	$t_{d(HSTBH-HRDYH)}$ Delay time, $\overline{HSTROBE}$ high to \overline{HRDY} high ⁽⁵⁾	3	15	3	12	ns

- (1) $\overline{HSTROBE}$ refers to the following logical operation on \overline{HCS} , $\overline{HDS1}$, and $\overline{HDS2}$: $[\text{NOT}(\overline{HDS1} \text{ XOR } \overline{HDS2})] \text{ OR } \overline{HCS}$.
- (2) $P = 1/\text{CPU clock frequency}$ in ns. For example, when running parts at 300 MHz, use $P = 3.3$ ns.
- (3) \overline{HCS} enables \overline{HRDY} , and \overline{HRDY} is always low when \overline{HCS} is high. The case where \overline{HRDY} goes high when \overline{HCS} falls indicates that HPI is busy completing a previous HPID write or READ with autoincrement.
- (4) This parameter is used during an HPID read. At the beginning of the first half-word transfer on the falling edge of $\overline{HSTROBE}$, the HPI sends the request to the EDMA internal address generation hardware, and \overline{HRDY} remains high until the EDMA internal address generation hardware loads the requested data into HPID.
- (5) This parameter is used after the second half-word of an HPID write or autoincrement read. \overline{HRDY} remains low if the access is not an HPID write or autoincrement read. Reading or writing to HPIC or HPIA does not affect the \overline{HRDY} signal.



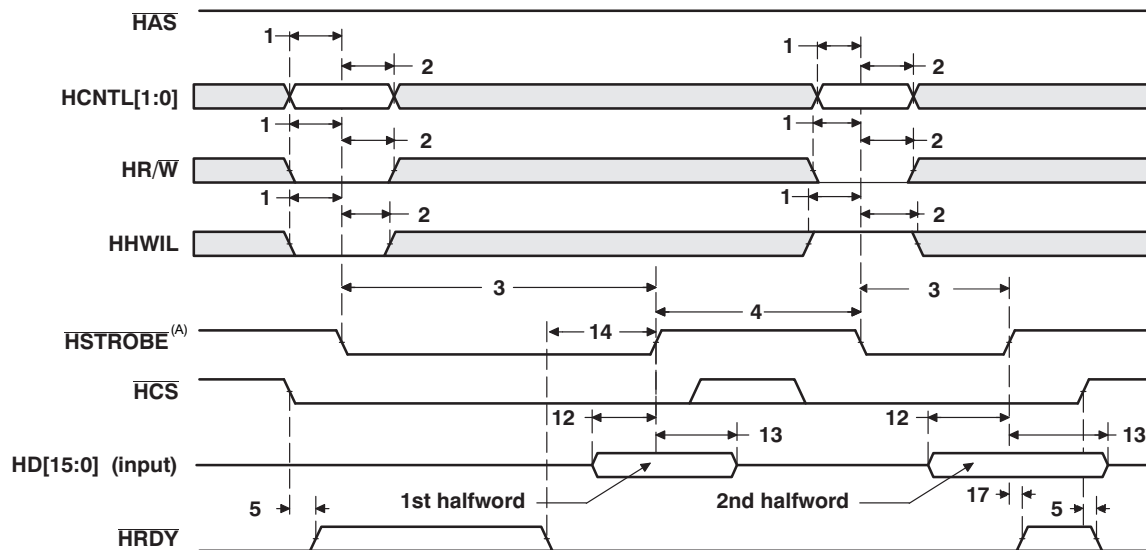
NOTE A: $\overline{HSTROBE}$ refers to the following logical operation on \overline{HCS} , $\overline{HDS1}$, and $\overline{HDS2}$: $[\text{NOT}(\overline{HDS1} \text{ XOR } \overline{HDS2})] \text{ OR } \overline{HCS}$.

Figure 11-31. HPI Read Timing (\overline{HAS} Not Used, Tied High)



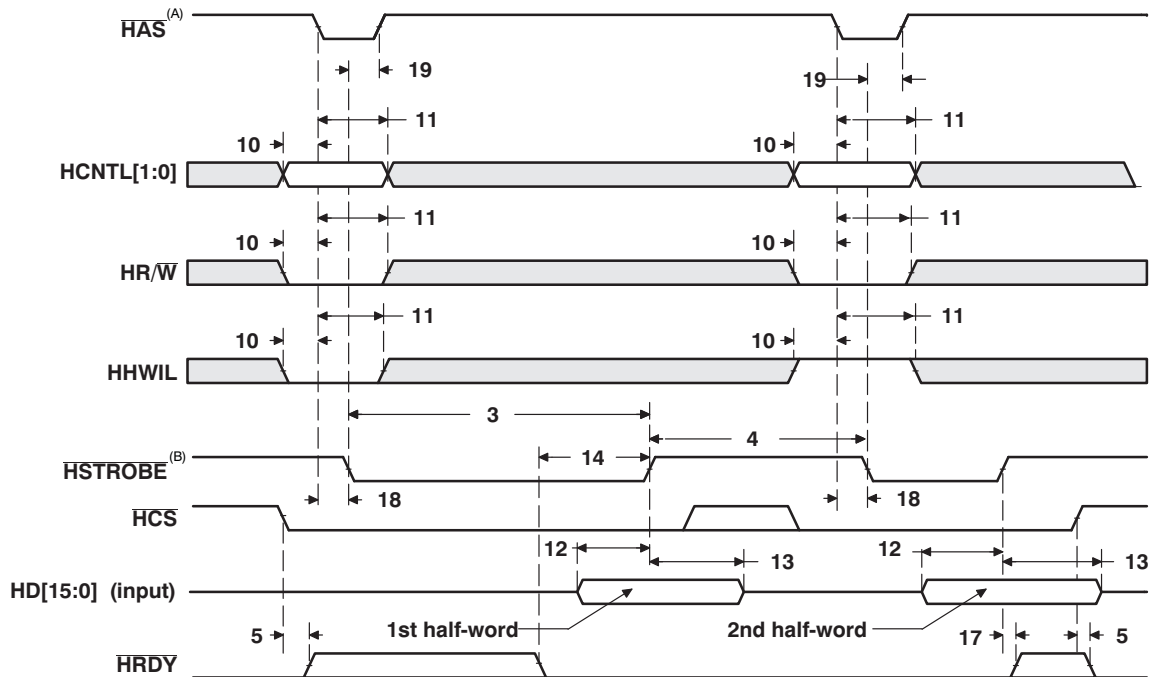
NOTES A: For correct operation, strobe the $\overline{\text{HAS}}$ signal only once per $\overline{\text{HSTROBE}}$ active cycle.
B: $\overline{\text{HSTROBE}}$ refers to the following logical operation on $\overline{\text{HCS}}$, $\overline{\text{HDS1}}$, and $\overline{\text{HDS2}}$: $[\text{NOT}(\overline{\text{HDS1}} \text{ XOR } \overline{\text{HDS2}})] \text{ OR } \overline{\text{HCS}}$.

Figure 11-32. HPI Read Timing ($\overline{\text{HAS}}$ Used)



NOTE A: $\overline{\text{HSTROBE}}$ refers to the following logical operation on $\overline{\text{HCS}}$, $\overline{\text{HDS1}}$, and $\overline{\text{HDS2}}$: $[\text{NOT}(\overline{\text{HDS1}} \text{ XOR } \overline{\text{HDS2}})] \text{ OR } \overline{\text{HCS}}$.

Figure 11-33. HPI Write Timing ($\overline{\text{HAS}}$ Not Used, Tied High)



NOTES A: For correct operation, strobe the HAS signal only once per HSTROBE active cycle.
 B: HSTROBE refers to the following logical operation on HCS, HDS1, and HDS2: $\overline{[\text{NOT}(\text{HDS1 XOR HDS2}) \text{ OR HCS}]}$.

Figure 11-34. HPI Write Timing (HAS Used)

11.16 Multichannel Buffered Serial Port (McBSP) Timing

Table 11-25. Timing Requirements for McBSP^{(1) (2)}

See

NO.	PARAMETER			MIN	MAX	UNIT
2	$t_{c(CKRX)}$	Cycle time, CLKR/X	CLKR/X ext	2P ⁽³⁾		ns
3	$t_{w(CKRX)}$	Pulse duration, CLKR/X high or CLKR/X low	CLKR/X ext	0.5 * $t_{c(CKRX)} - 1$ ⁽⁴⁾		ns
5	$t_{su(FRH-CKRL)}$	Setup time, external FSR high before CLKR low	CLKR int	9		ns
			CLKR ext	1		ns
6	$t_{h(CKRL-FRH)}$	Hold time, external FSR high after CLKR low	CLKR int	6		ns
			CLKR ext	3		ns
7	$t_{su(DRV-CKRL)}$	Setup time, DR valid before CLKR low	CLKR int	8		ns
			CLKR ext	0		ns
8	$t_{h(CKRL-DRV)}$	Hold time, DR valid after CLKR low	CLKR int	3		ns
			CLKR ext	4		ns
10	$t_{su(FXH-CKXL)}$	Setup time, external FSX high before CLKX low	CLKX int	9		ns
			CLKX ext	1		ns
11	$t_{h(CKXL-FXH)}$	Hold time, external FSX high after CLKX low	CLKX int	6		ns
			CLKX ext	3		ns

- (1) CLKRP = CLKXP = FSRP = FSXP = 0. If polarity of any of the signals is inverted, then the timing references of that signal are also inverted.
- (2) P = 1/CPU clock frequency in ns. For example, when running parts at 300 MHz, use P = 3.3 ns.
- (3) The minimum CLKR/X period is twice the CPU cycle time (2P) and not faster than 75 Mbps (13.3 ns). This means that the maximum bit rate for communications between the McBSP and other devices is 75 Mbps for 167-MHz and 225-MHz CPU clocks or 50 Mbps for 100-MHz CPU clock; where the McBSP is either the master or the slave. Care must be taken to ensure that the ac timings specified in this data sheet are met. The maximum bit rate for McBSP-to-McBSP communications is 67 Mbps; therefore, the minimum CLKR/X clock cycle is either twice the CPU cycle time (2P), or 15 ns (67 MHz), whichever value is larger. For example, when running parts at 150 MHz (P = 6.7 ns), use 15 ns as the minimum CLKR/X clock cycle (by setting the appropriate CLKGDV ratio or external clock source). When running parts at 60 MHz (P = 16.67 ns), use 2P = 33 ns (30 MHz) as the minimum CLKR/X clock cycle. The maximum bit rate for McBSP-to-McBSP communications applies when the serial port is a master of the clock and frame syncs (with CLKR connected to CLKX, FSR connected to FSX, CLKXM = FSXM = 1, and CLKRM = FSRM = 0) in data delay 1 or 2 mode (R/XDATDLY = 01b or 10b) and the other device the McBSP communicates to is a slave.
- (4) This parameter applies to the maximum McBSP frequency. Operate serial clocks (CLKR/X) in the reasonable range of 40/60 duty cycle.

Table 11-26. Switching Characteristics for McBSP

over recommended operating conditions (see)

NO.	PARAMETER		6713		6713B		UNIT	
			MIN	MAX	MIN	MAX		
1	$t_{d(CKSH-CKRXH)}$	Delay time, CLKS high to CLKR/X high for internal CLKR/X generated from CLKS input	1.8	10	1.8	10	ns	
2	$t_{c(CKRX)}$	Cycle time, CLKR/X	2P		2P		ns	
3	$t_{w(CKRX)}$	Pulse duration, CLKR/X high or CLKR/X low	C - 1	C + 1	C - 1	C + 1	ns	
4	$t_{d(CKRH-FRV)}$	Delay time, CLKR high to internal FSR valid	-2	3	-2	3	ns	
9	$t_{d(CKXH-FXV)}$	Delay time, CLKX high to internal FSX valid	CLKX int	-2	3	-2	3	ns
			CLKX ext	2	9	2	9	ns
12	$t_{dis(CKXH-DXHZ)}$	Disable time, DX high impedance following last data bit from CLKX high	CLKX int	-1	4	-1	4	ns
			CLKX ext	1.5	10	1.5	10	ns
13	$t_{d(CKXH-DXV)}$	Delay time, CLKX high to DX valid	CLKX int	-3.2 + D1	4 + D2	-3.2 + D1	4 + D2	ns
			CLKX ext	0.5 + D1	10 + D2	0.5 + D1	10 + D2	ns
14	$t_{d(FXH-DXV)}$	Delay time, FSX high to DX valid ONLY applies when in data delay 0 (XDATDLY = 00b) mode	FSX int	-1.5	4.5	-1	7.5	ns
			FSX ext	2	9	2	11.5	ns

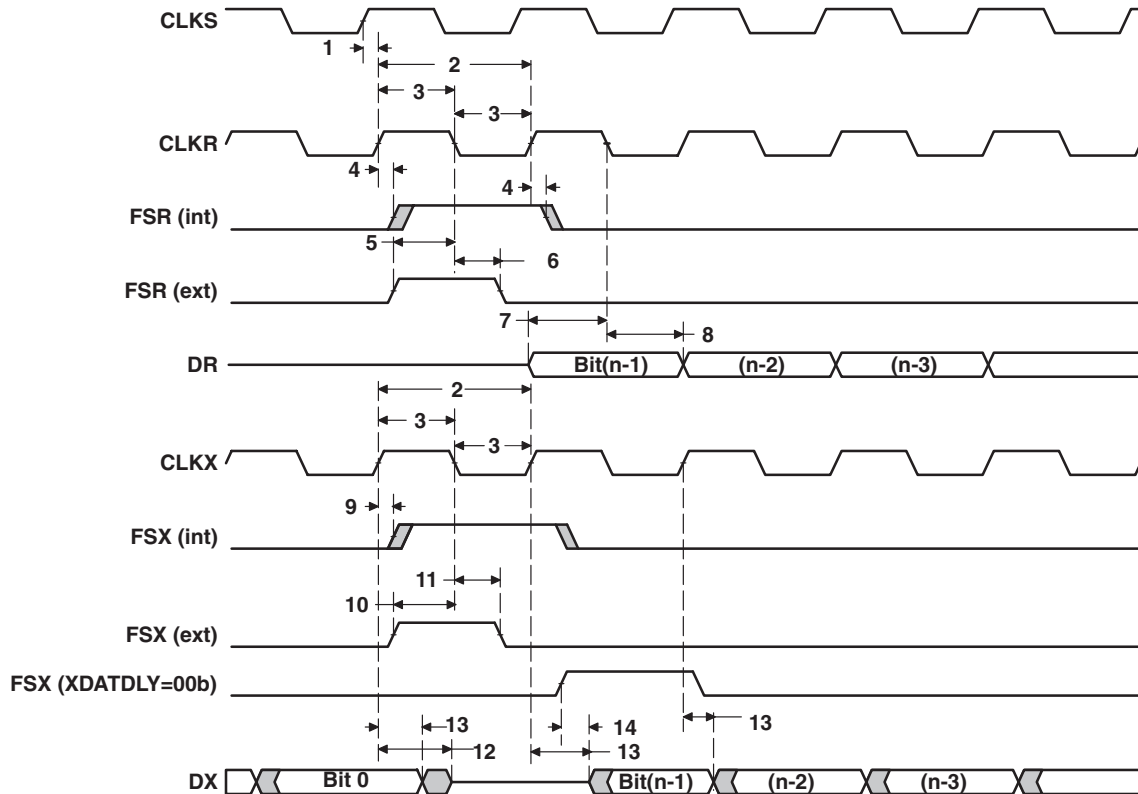


Figure 11-35. McBSP Timings

Table 11-27. Timing Requirements for FSR When GSYNC = 1

See

NO.		MIN	MAX	UNIT
1	$t_{su}(FRH-CKSH)$ Setup time, FSR high before CLKS high	4		ns
2	$t_h(CKSH-FRH)$ Hold time, FSR high after CLKS high	4		ns

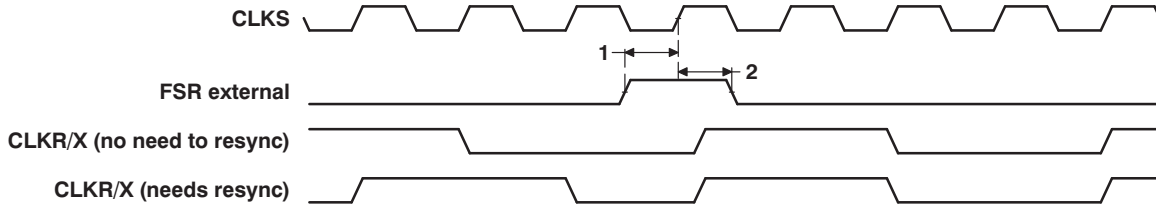


Figure 11-36. FSR Timing When GSYNC = 1

**Table 11-28. Timing Requirements for McBSP as SPI Master or Slave:
CLKSTP = 10b, CLKXP = 0**

See

NO.		MASTER		SLAVE		UNIT
		MIN	MAX	MIN	MAX	
4	$t_{su}(DRV-CKXL)$ Setup time, DR valid before CLKX low	12		2 – 6P		ns
5	$t_h(CKXL-DRV)$ Hold time, DR valid after CLKX low	4		5 + 12P		ns

**Table 11-29. Switching Characteristics for McBSP as SPI Master or Slave:
CLKSTP = 10b, CLKXP = 0**

over recommended operating conditions (see)

NO.	PARAMETER	6713				6713B				UNIT
		MASTER		SLAVE		MASTER		SLAVE		
		MIN	MAX	MIN	MAX	MIN	MAX	MIN	MAX	
1	$t_{h(CKXL-FXL)}$ Hold time, FSX low after CLKX low	T - 2	T + 3			T - 2	T + 3			ns
2	$t_{d(FXL-CKXH)}$ Delay time, FSX low to CLKX high	L - 2	L + 3			L - 2	L + 3			ns
3	$t_{d(CKXH-DXV)}$ Delay time, CLKX high to DX valid	-3	4	6P + 2	10P + 17	-3	4	6P + 2	10P + 17	ns
6	$t_{dis(CKXL-DXHZ)}$ Disable time, DX high impedance following last data bit from CLKX low	L - 4	L + 3			L - 2	L + 3			ns
7	$t_{dis(FXH-DXHZ)}$ Disable time, DX high impedance following last data bit from FSX high			2P + 1.5	6P + 17			2P + 3	6P + 17	ns
8	$t_{d(FXL-DXV)}$ Delay time, FSX low to DX valid			4P + 2	8P + 17			4P + 2	8P + 17	ns

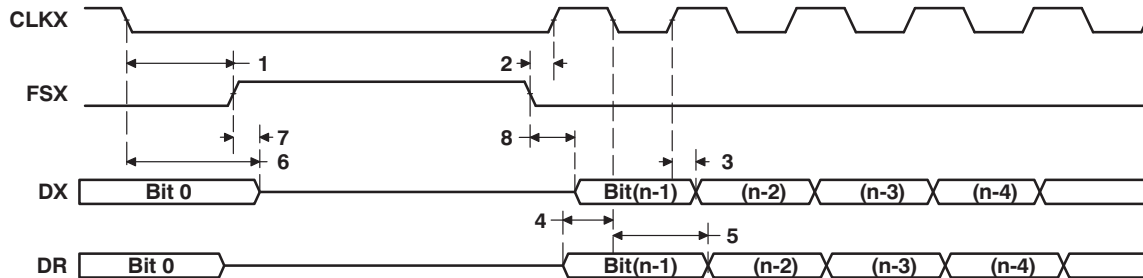


Figure 11-37. McBSP Timing as SPI Master or Slave: CLKSTP = 10b, CLKXP = 0

**Table 11-30. Timing Requirements for McBSP as SPI Master or Slave:
CLKSTP = 11b, CLKXP = 0**

See

NO.	PARAMETER	MASTER		SLAVE		UNIT
		MIN	MAX	MIN	MAX	
4	$t_{su(DRV-CKXH)}$ Setup time, DR valid before CLKX high	12		2 - 6P		ns
5	$t_{h(CKXH-DRV)}$ Hold time, DR valid after CLKX high	4		5 + 12P		ns

**Table 11-31. Switching Characteristics for McBSP as SPI Master or Slave:
CLKSTP = 11b, CLKXP = 0**

over recommended operating conditions (see)

NO.	PARAMETER	6713				6713B				UNIT		
		MASTER		SLAVE		MASTER		SLAVE				
		MIN	MAX	MIN	MAX	MIN	MAX	MIN	MAX			
1	$t_{h(CKXL-FXL)}$	Hold time, FSX low after CLKX low		L - 2	L + 3			L - 2	L + 3		ns	
2	$t_{d(FXL-CKXH)}$	Delay time, FSX low to CLKX high		T - 2	T + 3			T - 2	T + 3		ns	
3	$t_{d(CKXL-DXV)}$	Delay time, CLKX low to DX valid		-3	4	6P + 2	10P + 17	-3	4	6P + 2	10P + 17	ns
6	$t_{dis(CKXL-DXHZ)}$	Disable time, DX high impedance following last data bit from CLKX low		-4	4	6P + 1.5	10P + 17	-2	4	6P + 3	10P + 17	ns
7	$t_{d(FXL-DXV)}$	Delay time, FSX low to DX valid		H - 2	H + 4	4P + 2	8P + 17	H - 2	H + 6.5	4P + 2	8P + 17	ns

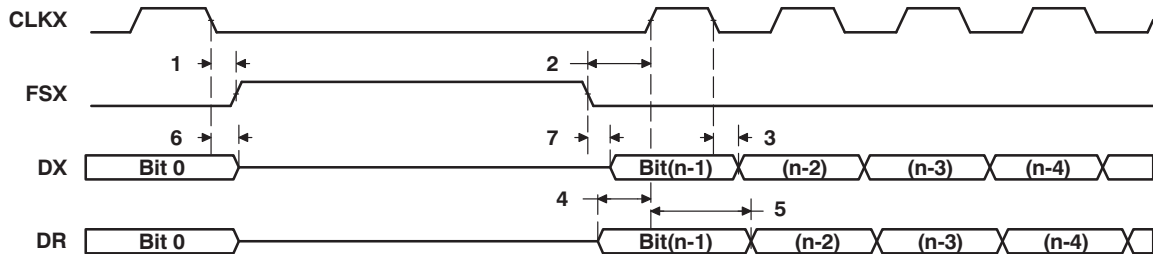


Figure 11-38. McBSP as SPI Master or Slave: CLKSTP = 11b, CLKXP = 0

**Table 11-32. Timing Requirements for McBSP as SPI Master or Slave:
CLKSTP = 10b, CLKXP = 1**

See

NO.		MASTER		SLAVE		UNIT
		MIN	MAX	MIN	MAX	
4	$t_{su(DRV-CKXH)}$ Setup time, DR valid before CLKX high	12		2 – 6P		ns
5	$t_h(CKXH-DRV)$ Hold time, DR valid after CLKX high	4		5 + 12P		ns

**Table 11-33. Switching Characteristics for McBSP as SPI Master or Slave:
CLKSTP = 10b, CLKXP = 1**

over recommended operating conditions (see)

NO.	PARAMETER	6713				6713B				UNIT
		MASTER		SLAVE		MASTER		SLAVE		
		MIN	MAX	MIN	MAX	MIN	MAX	MIN	MAX	
1	$t_h(CKXH-FXL)$ Hold time, FSX low after CLKX high	T – 2	T + 3			T – 2	T + 3			ns
2	$t_d(FXL-CKXL)$ Delay time, FSX low to CLKX low	H – 2	H + 3			H – 2	H + 3			ns
3	$t_d(CKXL-DXV)$ Delay time, CLKX low to DX valid	–3	4	6P + 2	10P + 17	–3	4	6P + 2	10P + 17	ns
6	$t_{dis}(CKXH-DXHZ)$ Disable time, DX high impedance following last data bit from CLKX high	H – 3.6	H + 3			H – 2	H + 3			ns
7	$t_{dis}(FXH-DXHZ)$ Disable time, DX high impedance following last data bit from FSX high			2P + 1.5	6P + 17			2P + 3	6P + 17	ns
8	$t_d(FXL-DXV)$ Delay time, FSX low to DX valid			4P + 2	8P + 17			4P + 2	8P + 17	ns

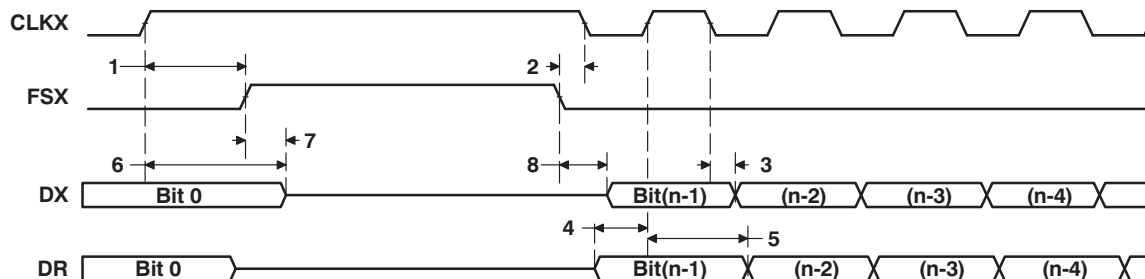


Figure 11-39. McBSP as SPI Master or Slave: CLKSTP = 10b, CLKXP = 1

Table 11-34. Timing Requirements for McBSP as SPI Master or Slave: CLKSTP = 11b, CLKXP = 1

See

NO.		MASTER		SLAVE		UNIT
		MIN	MAX	MIN	MAX	
4	$t_{su(DRV-CKXH)}$ Setup time, DR valid before CLKX high	12		2 – 6P		ns
5	$t_h(CKXH-DRV)$ Hold time, DR valid after CLKX high	4		5 + 12P		ns

**Table 11-35. Switching Characteristics for McBSP as SPI Master or Slave:
CLKSTP = 11b, CLKXP = 1**

over recommended operating conditions (see)

NO.	PARAMETER	6713				6713B				UNIT
		MASTER		SLAVE		MASTER		SLAVE		
		MIN	MAX	MIN	MAX	MIN	MAX	MIN	MAX	
1	$t_{h(CKXH-FXL)}$ Hold time, FSX low after CLKX high	H – 2	H + 3			H – 2	T + 3			ns
2	$t_{d(FXL-CKXL)}$ Delay time, FSX low to CLKX low	T – 2	T + 3			T – 2	H + 3			ns
3	$t_{d(CKXH-DXV)}$ Delay time, CLKX high to DX valid	–3	4	6P + 2	10P + 17	–3	4	6P + 2	10P + 17	ns
6	$t_{dis(CKXH-DXHZ)}$ Disable time, DX high impedance following last data bit from CLKX high	–3.6	4	6P + 1.5	10P + 17	–2	4	6P + 3	10P + 17	ns
7	$t_{d(FXL-DXV)}$ Delay time, FSX low to DX valid	L – 2	L + 4	4P + 2	8P + 17	L – 2	L + 6.5	4P + 2	8P + 17	ns

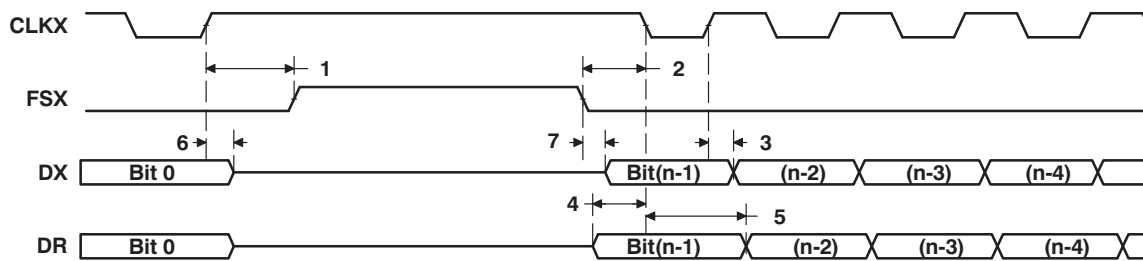


Figure 11-40. McBSP as SPI Master or Slave: CLKSTP = 11b, CLKXP = 1

11.17 Timer Timing

Table 11-36. Timing Requirements for Timer Inputs

See

NO.		MIN	MAX	UNIT
1	$t_{w(TINPH)}$ Pulse duration, TINP high	2P		ns
2	$t_{w(TINPL)}$ Pulse duration, TINP low	2P		ns

Table 11-37. Switching Characteristics for Timer Inputs

over recommended operating conditions (see)

NO.	PARAMETER	MIN	MAX	UNIT
3	$t_{w(TOUTH)}$ Pulse duration, TOUT high	4P - 3		ns
4	$t_{w(TOURL)}$ Pulse duration, TOUT low	4P - 3		ns

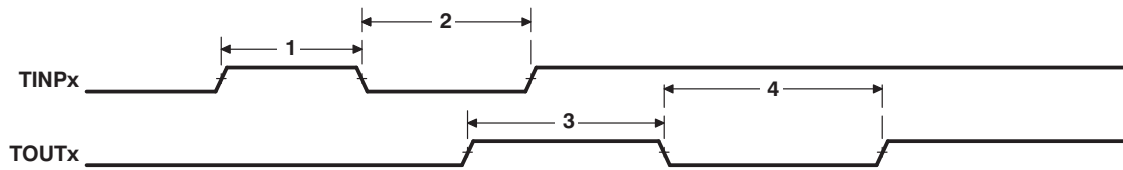


Figure 11-41. Timer

11.18 General-Purpose Input/Output (GPIO) Port Timing

Table 11-38. Timing Requirements for GPIO Inputs

See

NO.		MIN	MAX	UNIT
1	$t_{w(GPIH)}$ Pulse duration, GPIx high	4P		ns
2	$t_{w(GPIL)}$ Pulse duration, GPIx low	4P		ns

Table 11-39. Switching Characteristics for GPIO Inputs

over recommended operating conditions (see)

NO.	PARAMETER	MIN	MAX	UNIT
3	$t_{w(GPOH)}$ Pulse duration, GPOx high	12P – 3		ns
4	$t_{w(GPOL)}$ Pulse duration, GPOx low	12P – 3		ns

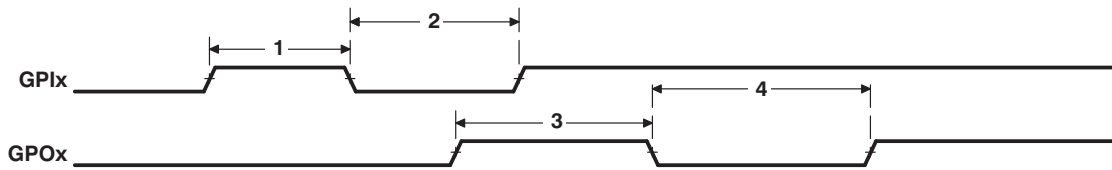


Figure 11-42. GPIO Port Timing

11.19 JTAG Test Port Timing

Table 11-40. Timing Requirements for JTAG Test Port

See

NO.		MIN	MAX	UNIT
1	$t_{c(TCK)}$ Cycle time, TCK	35		ns
3	$t_{su(TDIV-TCKH)}$ Setup time, TDI/TMS/ \overline{TRST} valid before TCK high	10		ns
4	$t_{h(TCKH-TDIV)}$ Hold time, TDI/TMS/ \overline{TRST} valid after TCK high	7		ns

Table 11-41. Switching Characteristics for JTAG Test Port

over recommended operating conditions (see)

NO.	PARAMETER	MIN	MAX	UNIT
2	$t_{d(TCKL-TDOV)}$ Delay time, TCK low to TDO valid	0	15	ns

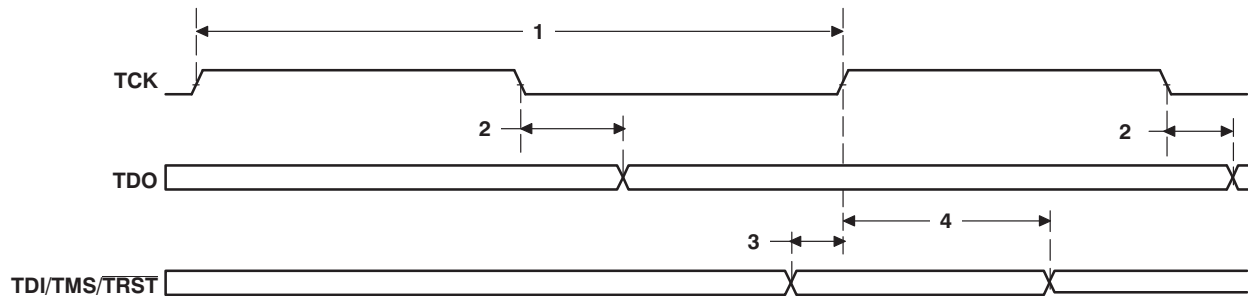


Figure 11-43. JTAG Test-Port Timing

12 MECHANICAL DATA

12.1 Mechanical Information

The following table shows the thermal resistance characteristics for the GDP package.

Table 12-1. Thermal Resistance Characteristics (S-PBGA Package) for GDP

NO		°C/W	Air Flow (m/s)
Two Signals, Two Planes (4-Layer Board)			
1	R θ_{JC} Junction-to-case	9.7	N/A
2	Psi $_{JT}$ Junction-to-package top	1.5	0.0
3	R θ_{JB} Junction-to-board	19	N/A
4	R θ_{JA} Junction-to-free air	22	0.0
5	R θ_{JA} Junction-to-free air	21	0.5
6	R θ_{JA} Junction-to-free air	20	1.0
7	R θ_{JA} Junction-to-free air	19	2.0
8	R θ_{JA} Junction-to-free air	18	4.0
9	Psi $_{JB}$ Junction-to-board	16	0.0

12.2 Packaging Information

For proper device thermal performance, the thermal pad must be soldered to an external ground thermal plane. The following packaging information and addendum reflect the most current released data available for the designated device(s). This data is subject to change without notice and without revision of this document.

PACKAGING INFORMATION

Orderable Device	Status ⁽¹⁾	Package Type	Package Drawing	Pins	Package Qty	Eco Plan ⁽²⁾	Lead/Ball Finish	MSL Peak Temp ⁽³⁾
SM320C6713GDPS20EP	OBSOLETE	BGA	GDP	272		TBD	Call TI	Call TI
SM32C6713BGDPA20EP	ACTIVE	BGA	GDP	272	40	TBD	Call TI	Level-3-220C-168 HR
SM32C6713BGDPM30EP	ACTIVE	BGA	GDP	272	1	TBD	SNPB	Level-3-220C-168 HR
SM32C6713BGDPS20EP	ACTIVE	BGA	GDP	272	40	TBD	Call TI	Level-3-220C-168 HR
V62/04603-02XA	ACTIVE	BGA	GDP	272	40	TBD	Call TI	Level-3-220C-168 HR
V62/04603-03XA	ACTIVE	BGA	GDP	272	40	TBD	Call TI	Level-3-220C-168 HR
V62/04603-04XA	ACTIVE	BGA	GDP	272	1	TBD	SNPB	Level-3-220C-168 HR
V62/4603-04XA	ACTIVE	BGA	GDP	272		TBD	Call TI	Call TI

⁽¹⁾ The marketing status values are defined as follows:

ACTIVE: Product device recommended for new designs.

LIFEBUY: TI has announced that the device will be discontinued, and a lifetime-buy period is in effect.

NRND: Not recommended for new designs. Device is in production to support existing customers, but TI does not recommend using this part in a new design.

PREVIEW: Device has been announced but is not in production. Samples may or may not be available.

OBSOLETE: TI has discontinued the production of the device.

⁽²⁾ Eco Plan - The planned eco-friendly classification: Pb-Free (RoHS), Pb-Free (RoHS Exempt), or Green (RoHS & no Sb/Br) - please check <http://www.ti.com/productcontent> for the latest availability information and additional product content details.

TBD: The Pb-Free/Green conversion plan has not been defined.

Pb-Free (RoHS): TI's terms "Lead-Free" or "Pb-Free" mean semiconductor products that are compatible with the current RoHS requirements for all 6 substances, including the requirement that lead not exceed 0.1% by weight in homogeneous materials. Where designed to be soldered at high temperatures, TI Pb-Free products are suitable for use in specified lead-free processes.

Pb-Free (RoHS Exempt): This component has a RoHS exemption for either 1) lead-based flip-chip solder bumps used between the die and package, or 2) lead-based die adhesive used between the die and leadframe. The component is otherwise considered Pb-Free (RoHS compatible) as defined above.

Green (RoHS & no Sb/Br): TI defines "Green" to mean Pb-Free (RoHS compatible), and free of Bromine (Br) and Antimony (Sb) based flame retardants (Br or Sb do not exceed 0.1% by weight in homogeneous material)

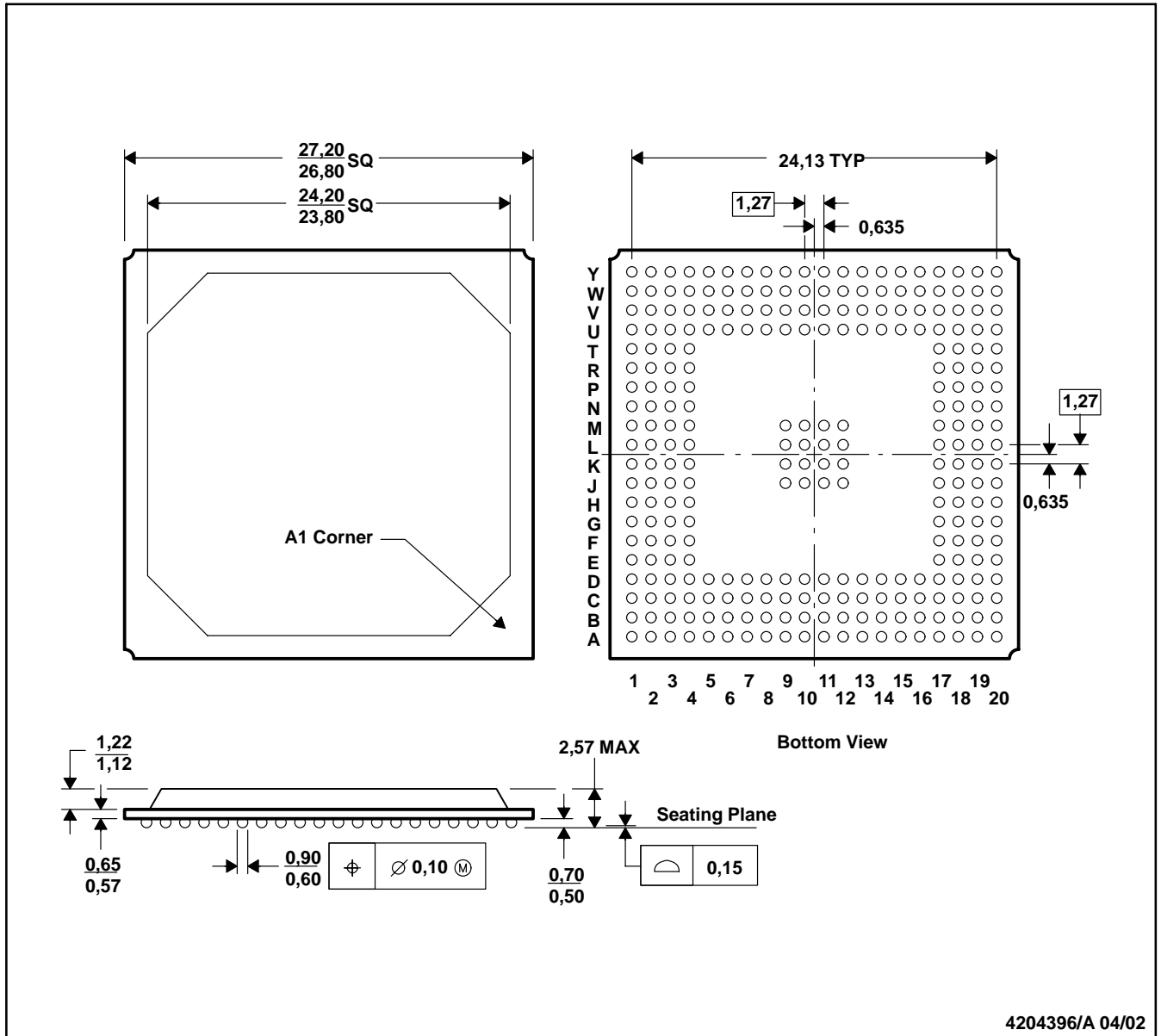
⁽³⁾ MSL, Peak Temp. -- The Moisture Sensitivity Level rating according to the JEDEC industry standard classifications, and peak solder temperature.

Important Information and Disclaimer:The information provided on this page represents TI's knowledge and belief as of the date that it is provided. TI bases its knowledge and belief on information provided by third parties, and makes no representation or warranty as to the accuracy of such information. Efforts are underway to better integrate information from third parties. TI has taken and continues to take reasonable steps to provide representative and accurate information but may not have conducted destructive testing or chemical analysis on incoming materials and chemicals. TI and TI suppliers consider certain information to be proprietary, and thus CAS numbers and other limited information may not be available for release.

In no event shall TI's liability arising out of such information exceed the total purchase price of the TI part(s) at issue in this document sold by TI to Customer on an annual basis.

GDP (S-PBGA-N272)

PLASTIC BALL GRID ARRAY



4204396/A 04/02

- NOTES: A. All linear dimensions are in millimeters.
 B. This drawing is subject to change without notice.
 C. Falls within JEDEC MO-151

IMPORTANT NOTICE

Texas Instruments Incorporated and its subsidiaries (TI) reserve the right to make corrections, modifications, enhancements, improvements, and other changes to its products and services at any time and to discontinue any product or service without notice. Customers should obtain the latest relevant information before placing orders and should verify that such information is current and complete. All products are sold subject to TI's terms and conditions of sale supplied at the time of order acknowledgment.

TI warrants performance of its hardware products to the specifications applicable at the time of sale in accordance with TI's standard warranty. Testing and other quality control techniques are used to the extent TI deems necessary to support this warranty. Except where mandated by government requirements, testing of all parameters of each product is not necessarily performed.

TI assumes no liability for applications assistance or customer product design. Customers are responsible for their products and applications using TI components. To minimize the risks associated with customer products and applications, customers should provide adequate design and operating safeguards.

TI does not warrant or represent that any license, either express or implied, is granted under any TI patent right, copyright, mask work right, or other TI intellectual property right relating to any combination, machine, or process in which TI products or services are used. Information published by TI regarding third-party products or services does not constitute a license from TI to use such products or services or a warranty or endorsement thereof. Use of such information may require a license from a third party under the patents or other intellectual property of the third party, or a license from TI under the patents or other intellectual property of TI.

Reproduction of TI information in TI data books or data sheets is permissible only if reproduction is without alteration and is accompanied by all associated warranties, conditions, limitations, and notices. Reproduction of this information with alteration is an unfair and deceptive business practice. TI is not responsible or liable for such altered documentation. Information of third parties may be subject to additional restrictions.

Resale of TI products or services with statements different from or beyond the parameters stated by TI for that product or service voids all express and any implied warranties for the associated TI product or service and is an unfair and deceptive business practice. TI is not responsible or liable for any such statements.

TI products are not authorized for use in safety-critical applications (such as life support) where a failure of the TI product would reasonably be expected to cause severe personal injury or death, unless officers of the parties have executed an agreement specifically governing such use. Buyers represent that they have all necessary expertise in the safety and regulatory ramifications of their applications, and acknowledge and agree that they are solely responsible for all legal, regulatory and safety-related requirements concerning their products and any use of TI products in such safety-critical applications, notwithstanding any applications-related information or support that may be provided by TI. Further, Buyers must fully indemnify TI and its representatives against any damages arising out of the use of TI products in such safety-critical applications.

TI products are neither designed nor intended for use in military/aerospace applications or environments unless the TI products are specifically designated by TI as military-grade or "enhanced plastic." Only products designated by TI as military-grade meet military specifications. Buyers acknowledge and agree that any such use of TI products which TI has not designated as military-grade is solely at the Buyer's risk, and that they are solely responsible for compliance with all legal and regulatory requirements in connection with such use.

TI products are neither designed nor intended for use in automotive applications or environments unless the specific TI products are designated by TI as compliant with ISO/TS 16949 requirements. Buyers acknowledge and agree that, if they use any non-designated products in automotive applications, TI will not be responsible for any failure to meet such requirements.

Following are URLs where you can obtain information on other Texas Instruments products and application solutions:

Products		Applications	
Amplifiers	amplifier.ti.com	Audio	www.ti.com/audio
Data Converters	dataconverter.ti.com	Automotive	www.ti.com/automotive
DLP® Products	www.dlp.com	Communications and Telecom	www.ti.com/communications
DSP	dsp.ti.com	Computers and Peripherals	www.ti.com/computers
Clocks and Timers	www.ti.com/clocks	Consumer Electronics	www.ti.com/consumer-apps
Interface	interface.ti.com	Energy	www.ti.com/energy
Logic	logic.ti.com	Industrial	www.ti.com/industrial
Power Mgmt	power.ti.com	Medical	www.ti.com/medical
Microcontrollers	microcontroller.ti.com	Security	www.ti.com/security
RFID	www.ti-rfid.com	Space, Avionics & Defense	www.ti.com/space-avionics-defense
RF/IF and ZigBee® Solutions	www.ti.com/lprf	Video and Imaging	www.ti.com/video
		Wireless	www.ti.com/wireless-apps

Mailing Address: Texas Instruments, Post Office Box 655303, Dallas, Texas 75265
Copyright © 2010, Texas Instruments Incorporated