

# **TMS320x28027, TMS320x28026, TMS320x28025, TMS320x28024, TMS320x28023, TMS320x28022 Piccolo MCU**

## **Silicon Errata**



Literature Number: SPRZ292  
December 2008



1	Introduction .....	5
2	Device and Development Tool Support Nomenclature .....	5
3	Device Markings .....	6
4	Rev 0 Known Design Marginality/Exceptions to Functional Specifications.....	7
5	Documentation Support .....	9

---

## List of Figures

1	Example of Device Markings .....	6
2	Example of Device Nomenclature .....	6

## List of Tables

1	Determining Silicon Revision From Lot Trace Code 2802x .....	6
2	Advisory List for Rev 0 Silicon .....	7

## **TMS320x2802x Piccolo MCU Silicon Errata**

---

---

### **1 Introduction**

This document describes the silicon updates to the functional specifications for the TMS320x2802x microcontrollers (MCUs).

The updates are applicable to:

- 38-pin Plastic Small Outline Package, DA Suffix
- 48-pin Plastic Quad Flatpack, PT Suffix

### **2 Device and Development Tool Support Nomenclature**

To designate the stages in the product development cycle, TI assigns prefixes to the part numbers of all [TMS320] DSP devices and support tools. Each TMS320™ DSP commercial family member has one of three prefixes: TMX, TMP, or TMS (e.g., **TMS320F28027**). Texas Instruments recommends two of three possible prefix designators for its support tools: TMDX and TMDS. These prefixes represent evolutionary stages of product development from engineering prototypes (TMX/TMDX) through fully qualified production devices/tools (TMS/TMDS).

- |            |  |
|------------|--|
| <b>TMX</b> | Experimental device that is not necessarily representative of the final device's electrical specifications                           |
| <b>TMP</b> | Final silicon die that conforms to the device's electrical specifications but has not completed quality and reliability verification |
| <b>TMS</b> | Fully qualified production device  |

Support tool development evolutionary flow:

- |             |   |
|-------------|---|
| <b>TMDX</b> | Development-support product that has not yet completed Texas Instruments internal qualification testing |
| <b>TMDS</b> | Fully qualified development-support product   |

TMX and TMP devices and TMDX development-support tools are shipped against the following disclaimer:

"Developmental product is intended for internal evaluation purposes."

TMS devices and TMDS development-support tools have been characterized fully, and the quality and reliability of the device have been demonstrated fully. TI's standard warranty applies.

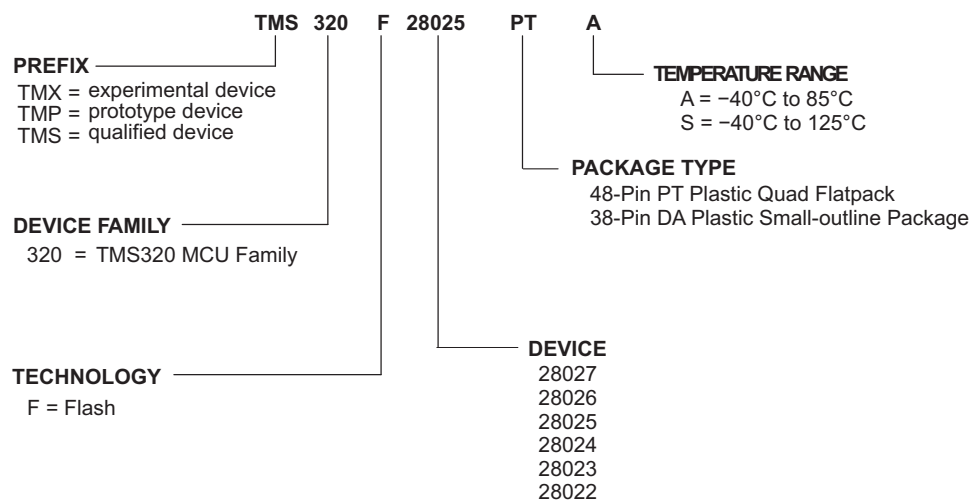
Predictions show that prototype devices (TMX or TMP) have a greater failure rate than the standard production devices. Texas Instruments recommends that these devices not be used in any production system because their expected end-use failure rate still is undefined. Only qualified production devices are to be used.

TI device nomenclature also includes a suffix with the device family name. This suffix indicates the package type (for example, PBK) and temperature range (for example, A).

### 3 Device Markings

Figure 1 provides an example of the 2802x device markings and defines each of the markings. The device revision can be determined by the symbols marked on the top of the package as shown in Figure 1. Some prototype devices may have markings different from those illustrated. Figure 2 shows an example of the device nomenclature.

**Figure 1. Example of Device Markings**



**Figure 2. Example of Device Nomenclature**

**Table 1. Determining Silicon Revision From Lot Trace Code 2802x**

SECOND LETTER IN PREFIX OF LOT TRACE CODE	SILICON REVISION	REVISION ID (0x0883)	COMMENTS
Blank (no second letter in prefix)	Indicates Revision 0	0x0000	This silicon revision is available as TMX.

**4 Rev 0 Known Design Marginality/Exceptions to Functional Specifications****Table 2. Advisory List for Rev 0 Silicon**

<b>Title</b>	<b>Page</b>
Advisory ADC: Initial Conversion.....	8
Advisory Memory: Prefetching Beyond Valid Memory .....	8

**Advisory** *ADC: Initial Conversion*

---

**Revision(s) Affected** 0**Details** When the ADC conversions are initiated by any source of trigger, the first sample may not be the correct conversion result.**Workaround(s)** Discard the first sample at the beginning of every series of conversions. For instance, if the application calls for a given series of conversions, SOC0→SOC1→SOC2, to initiate periodically, then setup the series instead as SOC0→SOC1→SOC2→SOC3 and only use the last three conversions, ADCRESULT1, ADCRESULT2, ADCRESULT3, thereby discarding ADCRESULT0.

Each application should validate this as acceptable in their application.

**Advisory** *Memory: Prefetching Beyond Valid Memory*

---

**Revision(s) Affected** 0**Details** The C28x CPU prefetches instructions beyond those currently active in its pipeline. If the prefetch occurs past the end of valid memory, then the CPU may receive an invalid opcode.**Workaround** The prefetch queue is 8x16 words in depth. Therefore, code should not come within 8 words of the end of valid memory. This restriction applies to all memory regions and all memory types (flash, OTP, SARAM) on the device. Prefetching across the boundary between two valid memory blocks is ok.

Example 1: M1 ends at address 0x7FF and is not followed by another memory block. Code in M1 should be stored no farther than address 0x7F7. Addresses 0x7F8-0x7FF should not be used for code.

Example 2: M0 ends at address 0x3FF and valid memory (M1) follows it. Code in M0 can be stored up to and including address 0x3FF. Code can also cross into M1 up to and including address 0x7F7.



## 5 Documentation Support

For device-specific data sheets and related documentation, visit the TI web site at: <http://www.ti.com>.

To access documentation on the web site:

1. Go to <http://www.ti.com>
2. Click on *Microcontrollers (MCU)*
3. Under the heading *C2000™ High Performance 32-bit Controllers*, click on the appropriate device family.
4. Click on a device name and then click on the documentation type you prefer.

For further information regarding the Piccolo devices, see the *TMS320x28027/28026/28025/28024/28023/28022 Piccolo MCU Data Manual* (literature number [SPRS523](#)).

## IMPORTANT NOTICE

Texas Instruments Incorporated and its subsidiaries (TI) reserve the right to make corrections, modifications, enhancements, improvements, and other changes to its products and services at any time and to discontinue any product or service without notice. Customers should obtain the latest relevant information before placing orders and should verify that such information is current and complete. All products are sold subject to TI's terms and conditions of sale supplied at the time of order acknowledgment.

TI warrants performance of its hardware products to the specifications applicable at the time of sale in accordance with TI's standard warranty. Testing and other quality control techniques are used to the extent TI deems necessary to support this warranty. Except where mandated by government requirements, testing of all parameters of each product is not necessarily performed.

TI assumes no liability for applications assistance or customer product design. Customers are responsible for their products and applications using TI components. To minimize the risks associated with customer products and applications, customers should provide adequate design and operating safeguards.

TI does not warrant or represent that any license, either express or implied, is granted under any TI patent right, copyright, mask work right, or other TI intellectual property right relating to any combination, machine, or process in which TI products or services are used. Information published by TI regarding third-party products or services does not constitute a license from TI to use such products or services or a warranty or endorsement thereof. Use of such information may require a license from a third party under the patents or other intellectual property of the third party, or a license from TI under the patents or other intellectual property of TI.

Reproduction of TI information in TI data books or data sheets is permissible only if reproduction is without alteration and is accompanied by all associated warranties, conditions, limitations, and notices. Reproduction of this information with alteration is an unfair and deceptive business practice. TI is not responsible or liable for such altered documentation. Information of third parties may be subject to additional restrictions.

Resale of TI products or services with statements different from or beyond the parameters stated by TI for that product or service voids all express and any implied warranties for the associated TI product or service and is an unfair and deceptive business practice. TI is not responsible or liable for any such statements.

TI products are not authorized for use in safety-critical applications (such as life support) where a failure of the TI product would reasonably be expected to cause severe personal injury or death, unless officers of the parties have executed an agreement specifically governing such use. Buyers represent that they have all necessary expertise in the safety and regulatory ramifications of their applications, and acknowledge and agree that they are solely responsible for all legal, regulatory and safety-related requirements concerning their products and any use of TI products in such safety-critical applications, notwithstanding any applications-related information or support that may be provided by TI. Further, Buyers must fully indemnify TI and its representatives against any damages arising out of the use of TI products in such safety-critical applications.

TI products are neither designed nor intended for use in military/aerospace applications or environments unless the TI products are specifically designated by TI as military-grade or "enhanced plastic." Only products designated by TI as military-grade meet military specifications. Buyers acknowledge and agree that any such use of TI products which TI has not designated as military-grade is solely at the Buyer's risk, and that they are solely responsible for compliance with all legal and regulatory requirements in connection with such use.

TI products are neither designed nor intended for use in automotive applications or environments unless the specific TI products are designated by TI as compliant with ISO/TS 16949 requirements. Buyers acknowledge and agree that, if they use any non-designated products in automotive applications, TI will not be responsible for any failure to meet such requirements.

Following are URLs where you can obtain information on other Texas Instruments products and application solutions:

### Products

Amplifiers	<a href="http://amplifier.ti.com">amplifier.ti.com</a>
Data Converters	<a href="http://dataconverter.ti.com">dataconverter.ti.com</a>
DSP	<a href="http://dsp.ti.com">dsp.ti.com</a>
Clocks and Timers	<a href="http://www.ti.com/clocks">www.ti.com/clocks</a>
Interface	<a href="http://interface.ti.com">interface.ti.com</a>
Logic	<a href="http://logic.ti.com">logic.ti.com</a>
Power Mgmt	<a href="http://power.ti.com">power.ti.com</a>
Microcontrollers	<a href="http://microcontroller.ti.com">microcontroller.ti.com</a>
RFID	<a href="http://www.ti-rfid.com">www.ti-rfid.com</a>
RF/IF and ZigBee® Solutions	<a href="http://www.ti.com/lprf">www.ti.com/lprf</a>

### Applications

Audio	<a href="http://www.ti.com/audio">www.ti.com/audio</a>
Automotive	<a href="http://www.ti.com/automotive">www.ti.com/automotive</a>
Broadband	<a href="http://www.ti.com/broadband">www.ti.com/broadband</a>
Digital Control	<a href="http://www.ti.com/digitalcontrol">www.ti.com/digitalcontrol</a>
Medical	<a href="http://www.ti.com/medical">www.ti.com/medical</a>
Military	<a href="http://www.ti.com/military">www.ti.com/military</a>
Optical Networking	<a href="http://www.ti.com/opticalnetwork">www.ti.com/opticalnetwork</a>
Security	<a href="http://www.ti.com/security">www.ti.com/security</a>
Telephony	<a href="http://www.ti.com/telephony">www.ti.com/telephony</a>
Video & Imaging	<a href="http://www.ti.com/video">www.ti.com/video</a>
Wireless	<a href="http://www.ti.com/wireless">www.ti.com/wireless</a>

Mailing Address: Texas Instruments, Post Office Box 655303, Dallas, Texas 75265  
Copyright © 2008, Texas Instruments Incorporated