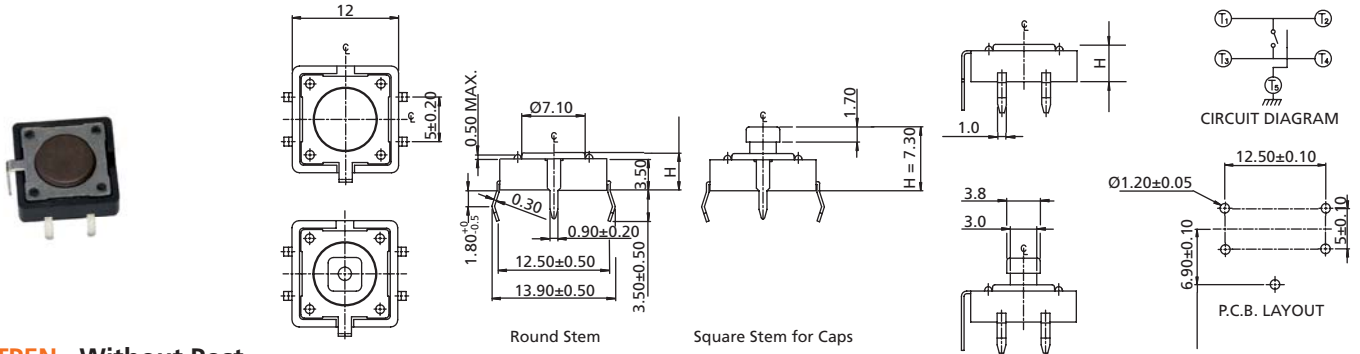
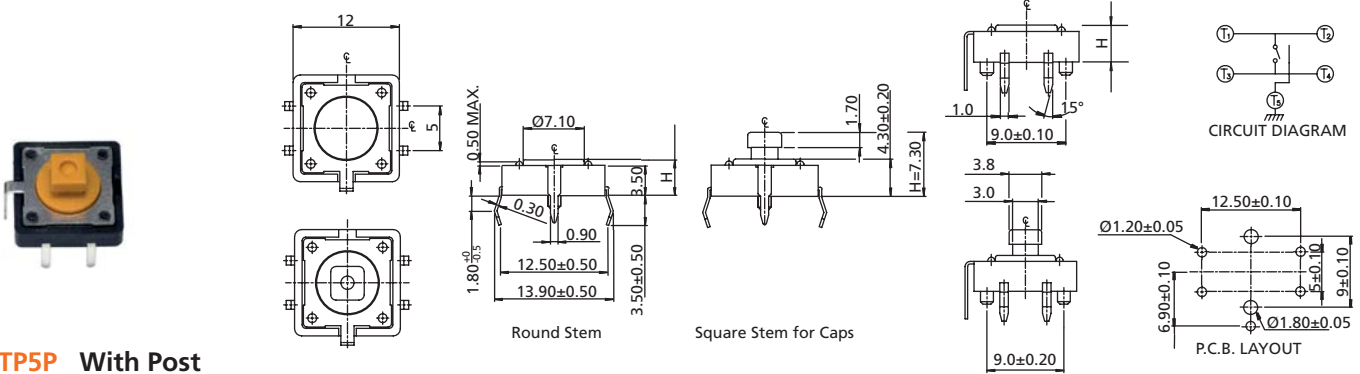


Tactile Switches

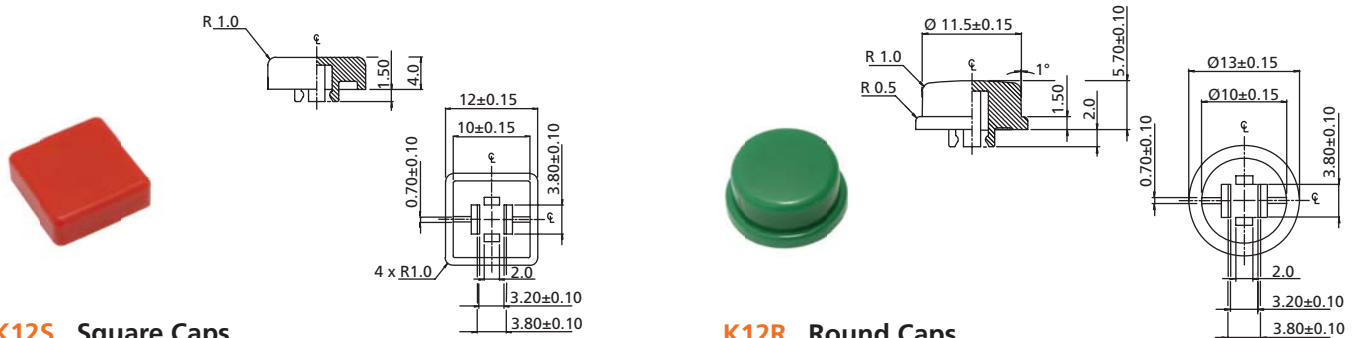
12 x 12 mm THT Tactile Switches with Ground Terminal TP5 Series



TP5N Without Post



TP5P With Post



K12S Square Caps

K12R Round Caps

How to order:

TP5 + (Caps)

- 1 GROUND TERMINAL & POST:**
 - N With Ground Terminal, without Post (Standard)
 - P With Ground Terminal, with Post
- 2 DIMENSION H:**
 - 1 H=4.3mm (Round Stem)
 - 4 H=7.3mm (Square Stem 3.8mm)
 - 5 H=8.5mm (Round Stem)

Individual stem heights available by request
- 3 STEM COLOR & OPERATING FORCE:**
 - K Brown & 160±50gf
 - C Red & 260±50gf
 - J Salmon & 320±80gf
- 4 PACKAGE STYLE:**
 - BK Bulk Pack

- Optional:**
- 5 CAP TYPE (For Square Stems Only):**
 - K12S Square Caps
 - K12R Round Caps
- 6 COLOR OF CAPS:**
 - A Black
 - B Ivory
 - C Red
 - E Yellow
 - F Green
 - G Blue
 - H Gray
 - S Salmon

General Specifications:

MATERIALS

- » Contact Disc: Phosphor Bronze with silver cladding
- » Terminal: Brass with silver plated

MECHANICAL

- » Stroke: 0.35 ± 0.1 mm
- » Operation Temperature: -25°C to +70°C
- » Storage Temperature: -30°C to +80°C

ELECTRICAL

- » Electrical Life: 100,000 cycles for 320gf & 260gf
200,000 cycles for 160gf
- » Rating: 50mA, 12VDC
- » Contact Arrangement: 1 pole 1 throw

LEADFREE SOLDERING PROCESSES

- » Wave Soldering: Recommended solder temperature at 260°C max. 5 seconds subject to PCB 1.6mm thickness.

General Tolerance: ± 0.2 mm