

### INTRODUCTION:

Adam Tech TS Series Euro Terminal Blocks offer the advantages of our leading designs while providing one of the lowest applied cost interconnections possible. This series includes 3 variations of our standard block, a microminiature type for ultra space savings and a "screwdriverless" block which reduces assembly time and eliminates tool necessity. Our latest "pluggable" design allows the versatility of pre-assembly and/or post-assembly on the production line or in the field.

### FEATURES:

- Capability to combine 2 and 3 pole units into multi-pole strips
- Available in multi-pole strips at no extra charge
- Standard block has choice of 3 wire entry angles
- Pluggable block with straight or right angle PCB headers
- New "screwdriverless" block eliminates tools, speeds assembly

### SPECIFICATIONS:

#### Material:

Body: Polybutylene Terephthalate (PBT), glass reinforced thermoplastic, rated UL 94V-0

Body Color: Green

Terminals: Brass, tin plated

Cam Lever: Polybutylene Terephthalate (PBT), glass reinforced thermoplastic, rated UL 94V-0, white color

Screws: Steel, nickel plated

#### Electrical:

Operation voltage: 250 VAC max

Current rating: 10 AMPS max

Insulation resistance: 2000 M $\Omega$  min @ 1000 VDC between adjacent contacts (75°F and 50% R.H.)

Dielectric withstanding voltage: 5000 VAC min rms (sea level)

#### Mechanical:

Wire Range: 24 - 16 AWG (TSE Series: 22 - 18 AWG)

Tightening Torque: 2.5 in.-lbs.

Wire Strip Length: .250" (6.35)

#### Environmental:

Operating temperature: -65°C to + 125°C

#### PACKAGING:

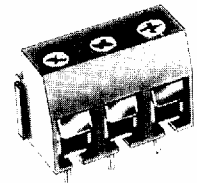
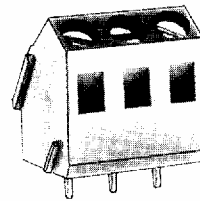
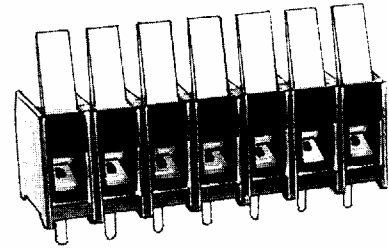
Anti-static plastic bags

#### APPROVALS AND CERTIFICATIONS:

Recognized under the component program of Underwriters Laboratories, Inc. No. E130225

Certified by Canadian Standards Association No. LR700747

Verband Deutscher Elektrotechniker (VDE) APL42393



### ORDERING INFORMATION

TSA

2

#### SERIES INDICATOR

TSA = Micro Block

TSB = Euro Block, Vertical Entry

TSC = Euro Block, Right Angle Entry

TSD = Euro Block, Angled Entry

TSE = "Screwdriverless" Block

TSF = "Pluggable" Block

THR = Header, Right Angle

THS = Header, Straight

#### POSITIONS

TSA / TSB / TSC / TSD  
2 thru 24 (2 and 3 pole versions are stackable)

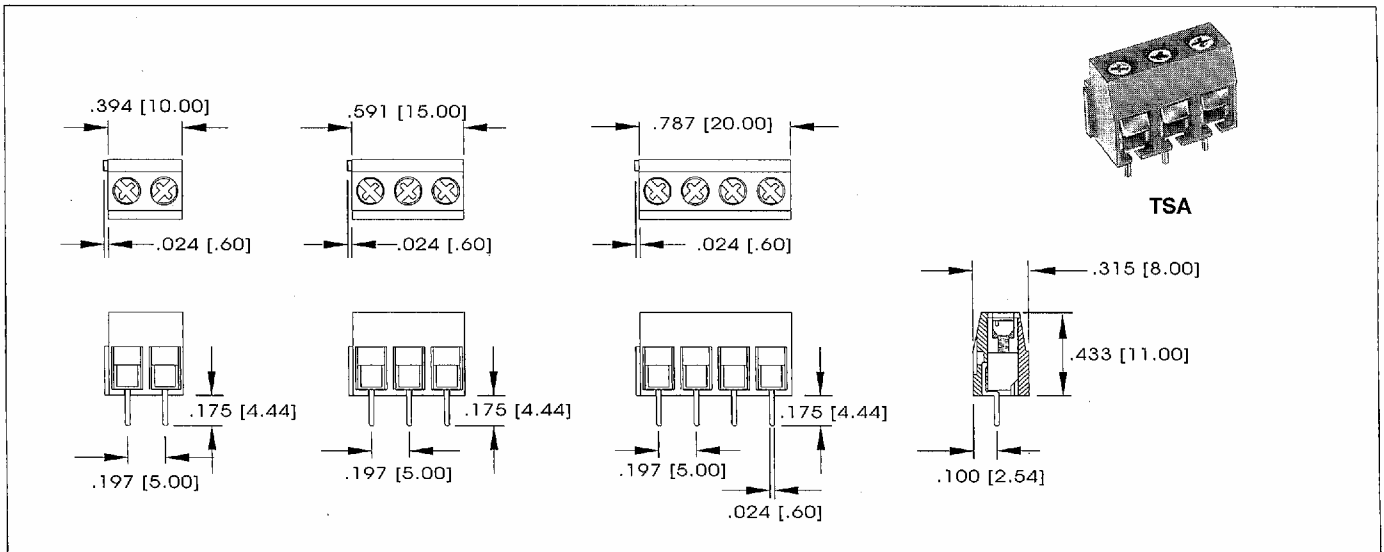
TSE / TSF / THR / THS  
2 thru 24 poles

#### OPTIONS:

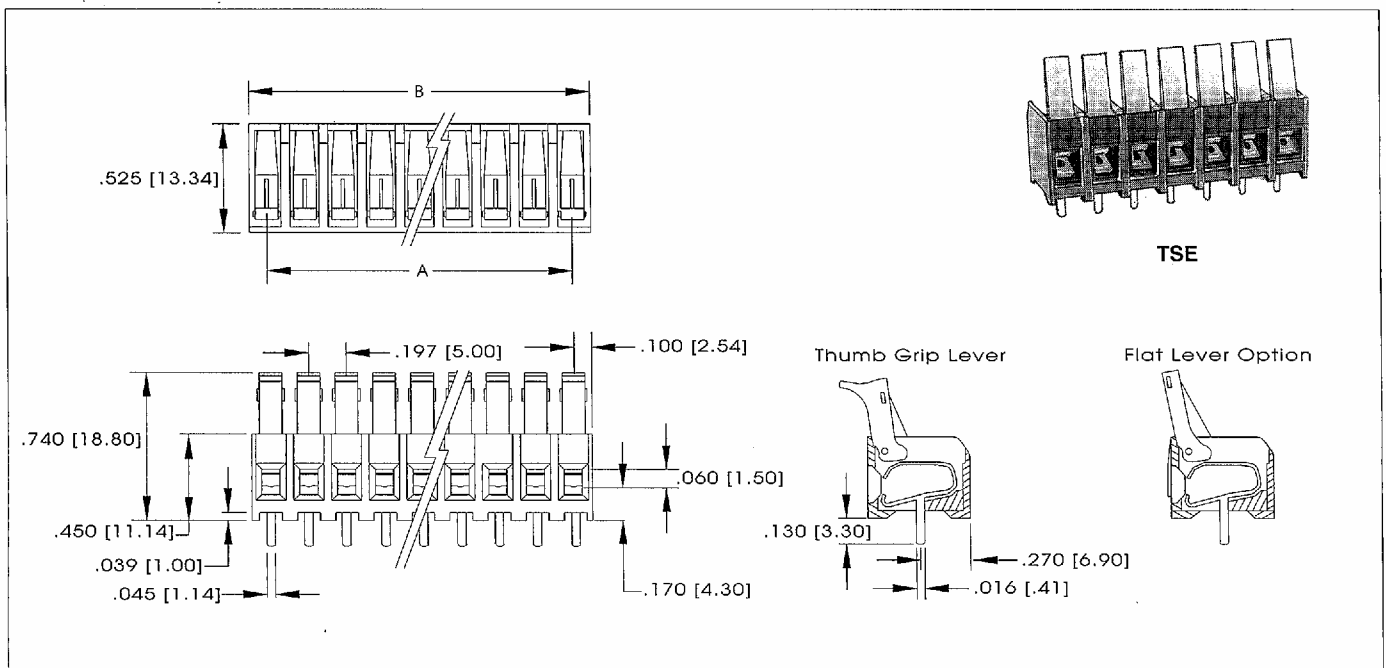
Add as suffix to basic part number (TSE Series)

FL = Flat Lever

#### MICRO BLOCK

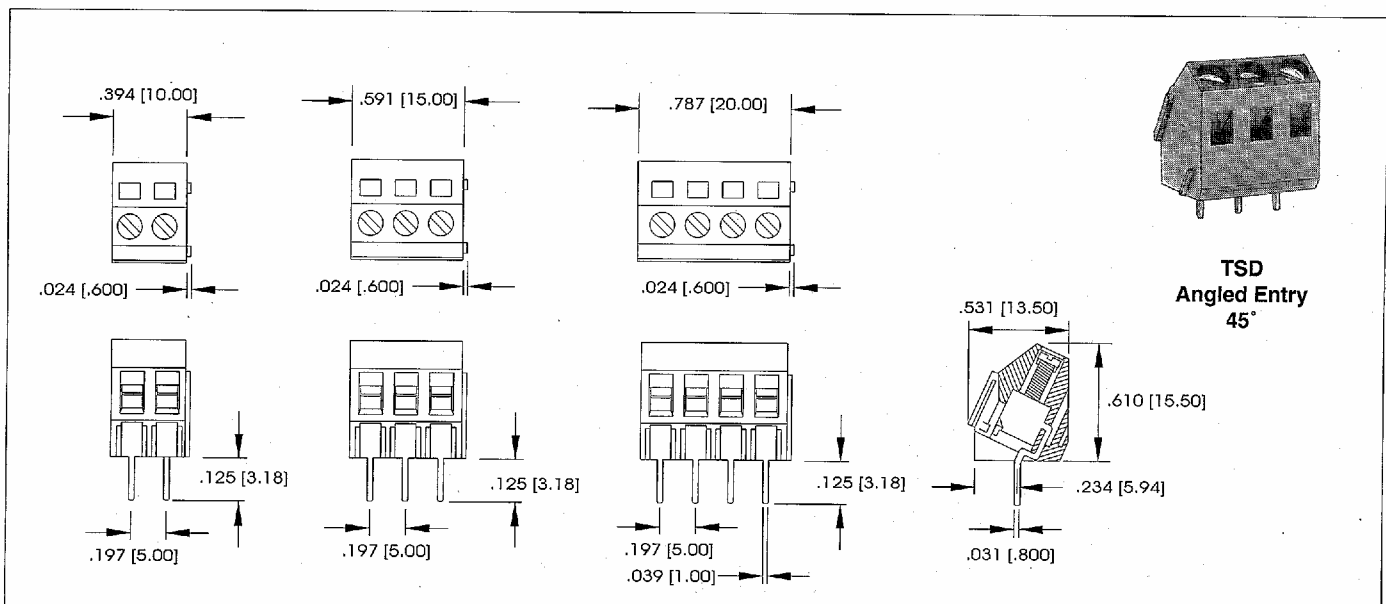
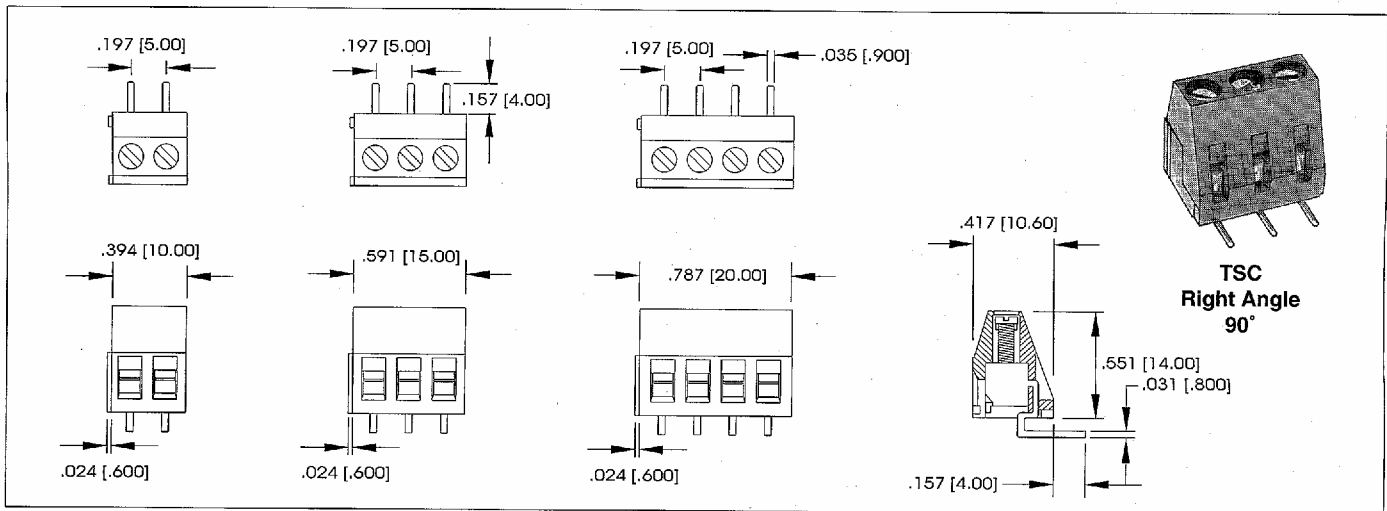
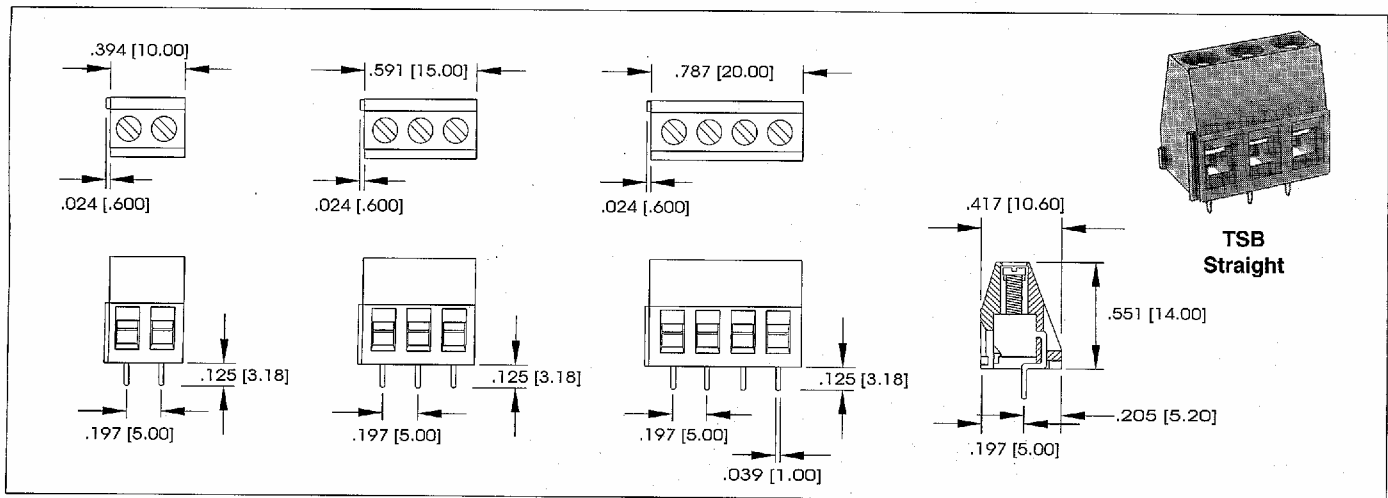


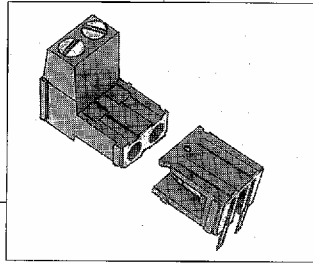
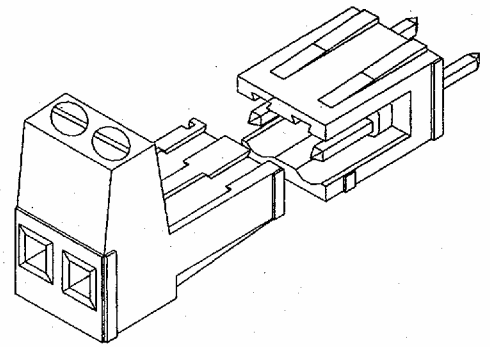
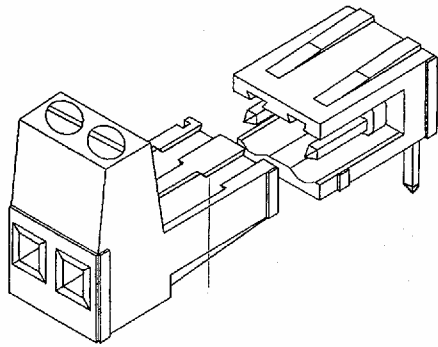
#### SCREWDRIVERLESS



Unit: Inch / mm

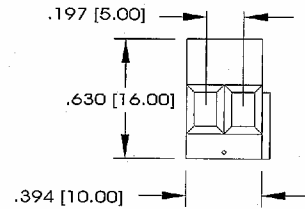
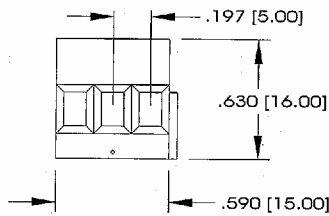
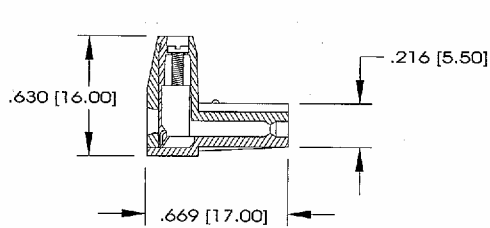
POLES	2	3	4	5	6	7	8	9	10	11	12	13	14	15	16	17
<b>A</b>	0.197 (5.00)	0.394 (10.00)	0.591 (15.00)	0.787 (20.00)	0.984 (25.00)	1.181 (30.00)	0.551 (14.00)	1.575 (40.00)	1.772 (45.00)	1.969 (50.00)	2.165 (55.00)	2.362 (60.00)	2.559 (65.00)	2.756 (70.00)	2.953 (75.00)	3.150 (80.00)
<b>B</b>	0.394 (10.00)	0.591 (15.00)	0.787 (20.00)	0.984 (25.00)	1.181 (30.00)	1.378 (35.00)	0.630 (16.00)	1.772 (45.00)	1.969 (50.00)	2.165 (55.00)	2.362 (60.00)	2.559 (65.00)	2.756 (70.00)	2.953 (75.00)	3.150 (80.00)	3.346 (85.00)





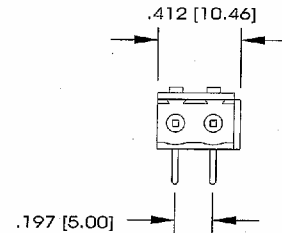
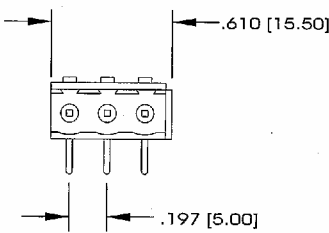
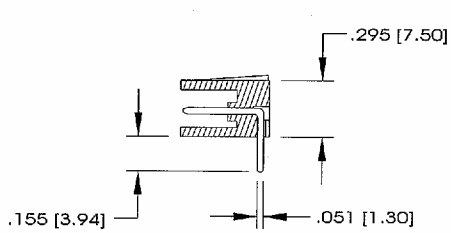
**TERMINAL BLOCK BODY**

**TSF**



**HEADER - RIGHT ANGLE**

**THR**



**HEADER - STRAIGHT**

**THS**

