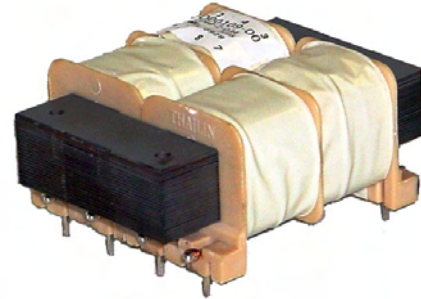


Low Profile Power Transformer

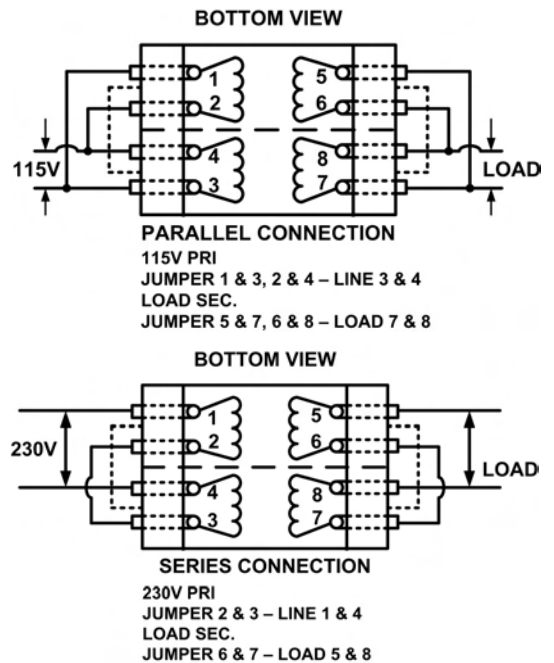
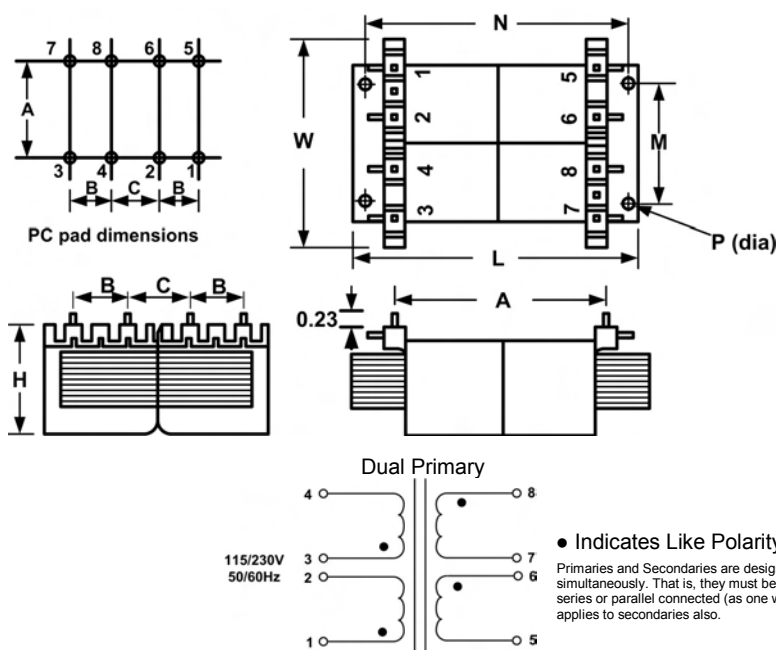
Series: UI - Printed Circuit Mount

- Power Rating 2.5VA to 48VA
- Dual Primary, 115/230V
- Frequency 50/60HZ
- Series or Parallel Secondary
- Dielectric Strength – 2500 Vrms
- Insulation Class B (130°C)
- Low Capacitive Coupling, no Electrostatic Shield Needed



Agency Approvals:

- UL/cUL 5085-2 Recognized (File E47299)
- Insulation File No. E95662



VA Rating	Dimensions (Inches)										Weight Oz.
	L	W	H	A	B	C	M	N	P	Pins	
2.5	1.88	1.56	0.65	1.60	0.375	0.375	-	-	-	0.041 X 0.02	5
6	1.88	1.56	0.81	1.60	0.375	0.375	-	-	-	0.041 X 0.02	7
12	2.50	2.00	1.06	2.00	0.500	0.500	-	-	-	0.041 X 0.02	11
24	2.87	2.25	1.25	1.90	0.600	0.530	1.31	2.44	0.156	0.041	15
36	3.13	2.50	1.38	2.18	0.600	0.660	1.38	2.63	0.125	0.041	21
48	3.13	2.50	1.38	2.18	0.600	0.660	1.38	2.63	0.125	0.041	21

Any application, Any requirement, Contact us for our Custom Designs

Low Profile Power Transformer

Series: UI - Printed Circuit Mount

Partial Selection Guide

VA	Part Number	Secondary	
	115/230V	Series	Parallel
2.5	UI-25-10	10VCT @ 250mA	5V @ 500mA
	UI-25-126	12.6VCT @ 198mA	6.3V @ 396mA
	UI-25-16	16VCT @ 156mA	8V @ 312mA
	UI-25-20	20VCT @ 125mA	10V @ 250mA
	UI-25-24	24VCT @ 104mA	12V @ 208mA
	UI-25-30	30VCT @ 83mA	15V @ 166mA
	UI-25-34	34VCT @ 74mA	17V @ 147mA
	UI-25-40	40VCT @ 63mA	20V @ 125mA
	UI-25-56	56VCT @ 45mA	28V @ 90mA
	UI-25-88	88VCT @ 28mA	44V @ 57mA
	UI-25-120	120VCT @ 21mA	60V @ 42mA
	UI-25-230	230VCT @ 11mA	115V @ 22mA
6	UI-06-10	10VCT @ 600mA	5V @ 1.2A
	UI-06-126	12.6VCT @ 476mA	6.3V @ 952mA
	UI-06-16	16VCT @ 375mA	8V @ 750mA
	UI-06-20	20VCT @ 300mA	10V @ 600mA
	UI-06-24	24VCT @ 250mA	12V @ 500mA
	UI-06-30	30VCT @ 200mA	15V @ 400mA
	UI-06-34	34VCT @ 176mA	17V @ 352mA
	UI-06-40	40VCT @ 150mA	20V @ 300mA
	UI-06-56	56VCT @ 107mA	28V @ 214mA
	UI-06-88	88VCT @ 68mA	44V @ 136mA
	UI-06-120	120VCT @ 50mA	60V @ 100mA
	UI-06-230	230VCT @ 26mA	115V @ 52mA
12	UI-12-10	10VCT @ 1.20A	5V @ 2.40A
	UI-12-126	12.6VCT @ 952mA	6.3V @ 1.90A
	UI-12-16	16VCT @ 750mA	8V @ 1.50A
	UI-12-20	20VCT @ 600mA	10V @ 1.20A
	UI-12-24	24VCT @ 500mA	12V @ 1.00A
	UI-12-30	30VCT @ 400mA	15V @ 800mA
	UI-12-34	34VCT @ 353mA	17V @ 706mA
	UI-12-40	40VCT @ 300mA	20V @ 600mA
	UI-12-56	56VCT @ 214mA	28V @ 428mA
	UI-12-88	88VCT @ 136mA	44V @ 273mA
	UI-12-120	120VCT @ 100mA	60V @ 200mA
	UI-12-230	230VCT @ 52mA	115V @ 104mA

VA	Part Number	Secondary	
	115/230V	Series	Parallel
24	UI-24-10	10VCT @ 2.4A	5V @ 4.80A
	UI-24-126	12.6VCT @ 1.90A	6.3V @ 3.80A
	UI-24-16	16VCT @ 1.50A	8V @ 3.00A
	UI-24-20	20VCT @ 1.20A	10V @ 2.40A
	UI-24-24	24VCT @ 1.00A	12V @ 2.00A
	UI-24-30	30VCT @ 800mA	15V @ 1.60A
	UI-24-34	34VCT @ 705mA	17V @ 1.41A
	UI-24-40	40VCT @ 600mA	20V @ 1.20A
	UI-24-56	56VCT @ 428mA	28V @ 857mA
	UI-24-88	88VCT @ 272mA	44V @ 545mA
	UI-24-120	120VCT @ 200mA	60V @ 400mA
	UI-24-230	230VCT @ 104mA	115V @ 208mA
36	UI-36-10	10VCT @ 3.60A	5V @ 7.20A
	UI-36-126	12.6VCT @ 2.86A	6.3V @ 5.72A
	UI-36-16	16VCT @ 2.25A	8V @ 4.50A
	UI-36-20	20VCT @ 1.80A	10V @ 3.60A
	UI-36-24	24VCT @ 1.50A	12V @ 3.00A
	UI-36-30	30VCT @ 1.20A	15V @ 2.40A
	UI-36-34	34VCT @ 1.06A	17V @ 2.12A
	UI-36-40	40VCT @ 900mA	20V @ 1.80A
	UI-36-56	56VCT @ 642mA	28V @ 1.284A
	UI-36-88	88VCT @ 409mA	44V @ 818mA
	UI-36-120	120VCT @ 300mA	60VCT @ 600mA
	UI-36-230	230VCT @ 156mA	115V @ 312mA
48	UI-48-10	10VCT @ 4.80A	5V @ 9.60A
	UI-48-126	12.6VCT @ 3.80A	6.3V @ 7.60A
	UI-48-16	16VCT @ 3.00A	8V @ 6.00A
	UI-48-20	20VCT @ 2.40A	10V @ 4.80A
	UI-48-24	24VCT @ 2.00A	12V @ 4.00A
	UI-48-30	30VCT @ 1.60A	15V @ 3.20A
	UI-48-34	34VCT @ 1.41A	17V @ 2.82A
	UI-48-40	40VCT @ 1.20A	20V @ 2.40A
	UI-48-56	56VCT @ 857mA	28V @ 1.71A
	UI-48-88	88VCT @ 545mA	44V @ 1.09A
	UI-48-120	120VCT @ 400mA	60V @ 800mA
	UI-48-230	230VCT @ 208mA	115V @ 416mA

Any application, Any requirement, Contact us for our Custom Designs