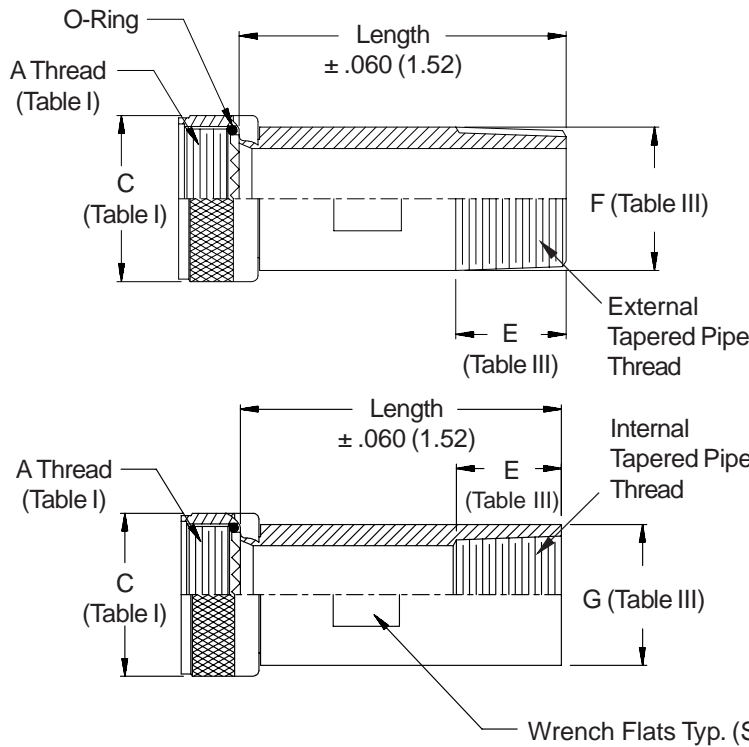
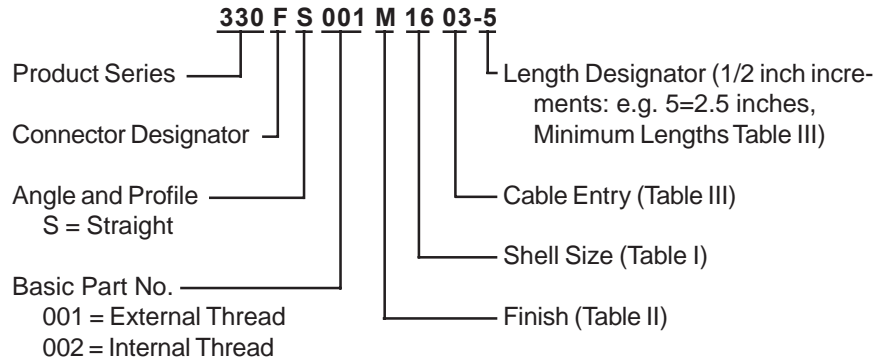


## CONNECTOR DESIGNATORS A-F-H-L-S ROTATABLE COUPLING



**TABLE II: STANDARD FINISHES**

| GLENAIR SYMBOL | FINISH  |
|----------------|---|
| B              | Cadmium Plate, Olive Drab                         |
| C              | Anodize, Black                                    |
| G              | Hard Coat, Anodic                                 |
| M              | Electroless Nickel                                |
| NF             | Cadmium Plate, Olive Drab Over Electroless Nickel |

See Back Cover for Complete Finish Information and Additional Finish Options

See inside back cover fold-out or pages 13 and 14 for unabridged Tables I and II.

**-445** Now Available with the "NESTOR"

Add "-445" to Specify Glenair's Non-Detent, Spring-Loaded, Self-Locking Coupling. See Page 41 for Details.

**TABLE III: CABLE ENTRY**

| Dash No. | Pipe Thread | E            | F Dia        | G Dia        | Length     |        |
|----------|-------------|--------------|--------------|--------------|------------|--------|
|          |             |              |              |              | Min        | Desig. |
| 01       | 1/8         | .391 (9.9)   | .405 (10.3)  | .500 (12.7)  | 1.5 (38.1) | 3      |
| 02       | 1/4         | .593 (15.1)  | .540 (13.7)  | .625 (15.9)  | 1.5 (38.1) | 3      |
| 03       | 3/8         | .593 (15.1)  | .675 (17.1)  | .875 (22.2)  | 1.5 (38.1) | 3      |
| 04       | 1/2         | .781 (19.8)  | .840 (21.3)  | 1.000 (25.4) | 2.0 (50.8) | 4      |
| 05       | 3/4         | .812 (20.6)  | 1.050 (26.7) | 1.250 (31.8) | 2.0 (50.8) | 4      |
| 06       | 1           | 1.000 (25.4) | 1.315 (33.4) | 1.500 (38.1) | 2.0 (50.8) | 4      |
| 07       | 1 1/4       | 1.031 (26.2) | 1.660 (42.2) | 1.750 (44.5) | 2.5 (63.5) | 5      |
| 08       | 1 1/2       | 1.031 (26.2) | 1.900 (48.3) | 2.125 (54.0) | 2.5 (63.5) | 5      |
| 09       | 2           | 1.062 (27.0) | 2.375 (60.3) | 2.500 (63.5) | 2.5 (63.5) | 5      |
| 10       | 2 1/2       | 1.453 (36.9) | 2.875 (73.0) | 3.250 (82.6) | 2.5 (63.5) | 5      |

1. Pipe threads per American standard taper pipe thread.
2. Metric dimensions (mm) are indicated in parentheses.
3. O-Ring not supplied with Connector Designator A.