

XC62K Series

Negative Voltage Regulators



- ◆ CMOS Low Power Consumption
- ◆ Small Dropout Voltage : 0.12V@50mA
0.38V@100mA
- ◆ Maximum Output Current : 100mA (V_{OUT}=-5.0V)
- ◆ Highly Accurate : ±2% (±1%)
- ◆ Output Voltage Range : -2.1V~ -6.0V
- ◆ Supply Current : 3.0 μA (V_{OUT}=-5.0V)
- ◆ SOT-23/SOT-89/TO-92/USP-6B Package

GENERAL DESCRIPTION

The XC62K series are highly precise, low power consumption, negative voltage regulators, manufactured using CMOS and laser trimming technologies. The series achieves high output currents with small input-output voltage differentials, and consists of a high precision voltage reference, an error correction circuit, and an output driver with current limitation. SOT-23 (150mW), SOT-89 (500mW), USP-6B (100mW) and TO-92 (300mW) packages are available.

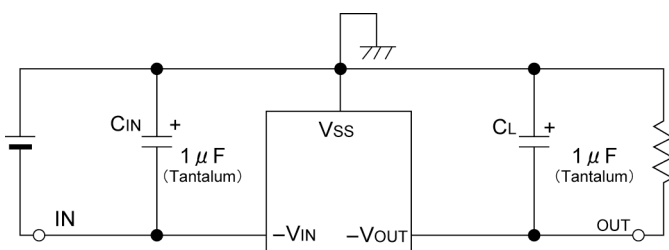
APPLICATIONS

- Battery powered equipment
- Portable & cellular phones
- Various portable equipment
- Power supply for GaAs applications

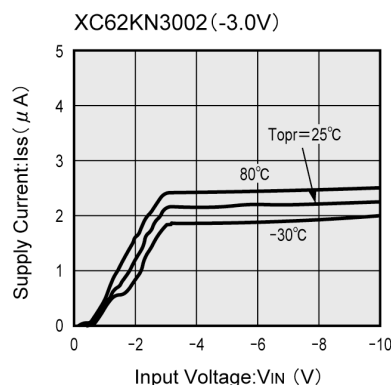
FEATURES

- Dropout Voltage** : 0.12V@50mA (V_{OUT}=-5.0V)
- Maximum Output Current**: 100mA (within MAX. power dissipation, V_{OUT}= -5.0V)
- Output Voltage Range** : -2.1V ~ -6.0V in 100mV increments
-5.0, -4.0, -3.0V, -2.5V standard
(All other voltages are semi-custom)
- Highly Accurate** : Setting output voltage ±2%
(±1% for semi-custom products)
- Low Power Consumption** : 3.0 μA @ V_{OUT} = -5.0V (TYP.)
- Output Voltage Temperature Characteristics**
: ±100ppm/°C (TYP.)
- Line Regulation** : 0.1%/V (TYP.)
- Ultra Small Packages** : SOT-23 (150mW) mini-mold,
SOT-89 (500mW) mini-power mold
TO-92 (300mW)
USP-6B (100mW)

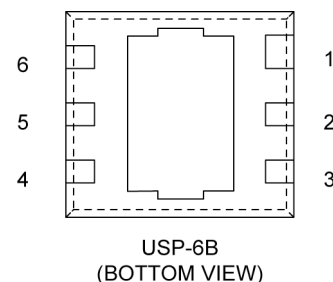
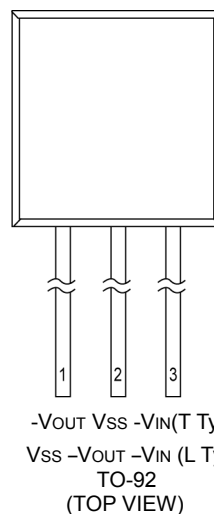
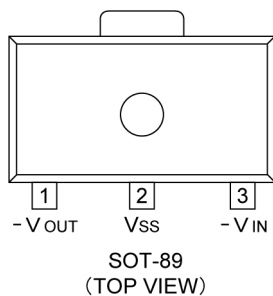
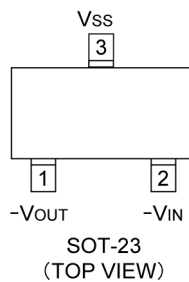
TYPICAL APPLICATION CIRCUIT



TYPICAL PERFORMANCE CHARACTERISTICS



■ PIN CONFIGURATION



*The dissipation pad for the USP-6B package should be solder-plated in recommended mount pattern and metal masking so as to enhance mounting strength and heat release.
If the pad needs to be connected to other pins, it should be connected to the VSS pin.

■ PIN ASSIGNMENT

PIN NUMBER				PIN NAME	FUNCTION
SOT-23	SOT-89/TO-92 (T)	TO-92 (L)	USP-6B		
2	3	3	6	-VIN	Power Supply Input
3	2	1	4	VSS	Ground
1	1	2	2	-VOUT	Output
—	—	—	1.3.5	NC	No Connection

■ PRODUCT CLASSIFICATION

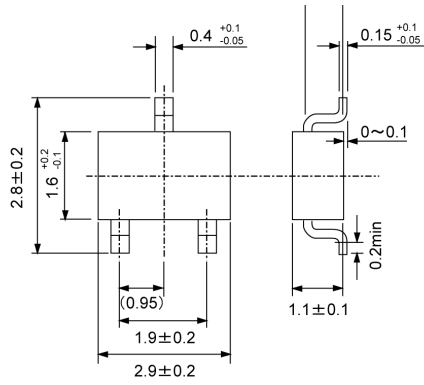
● Ordering Information

XC62K①②③④⑤⑥⑦

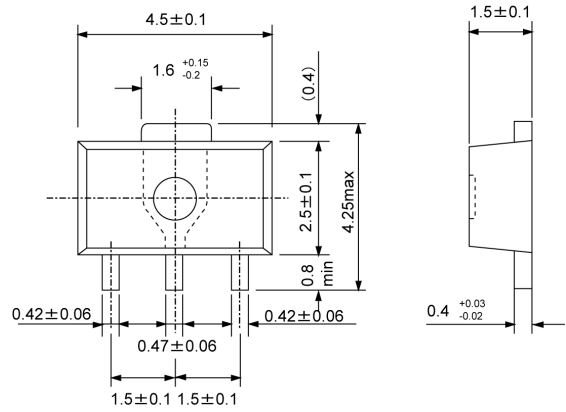
MARK	DESCRIPTION	SYMBOL	DESCRIPTION
①	Polarity of Output Voltage	N	: Negative
② ③	Output Voltage	21 ~ 60	: e.g. V _{OUT} = 2.1V → ②=2, ③=1 V _{OUT} = 6.0V → ②=6, ③=0
④	Temperature Characteristics	0	: ± 100ppm (TYP.)
⑤	Output Voltage Accuracy	1	: ± 1% (Semi-custom)
		2	: ± 2%
⑥	Package	M	: SOT-23
		P	: SOT-89
		T	: TO-92 (Standard)
		L	: TO-92 (Custom pin configuration)
		D	: USP-6B
⑦	Device Orientation	R	: Embossed tape, standard feed
		L	: Embossed tape, reverse feed
		H	: Paper type (TO-92)
		B	: Bag (TO-92)

PACKAGING INFORMATION

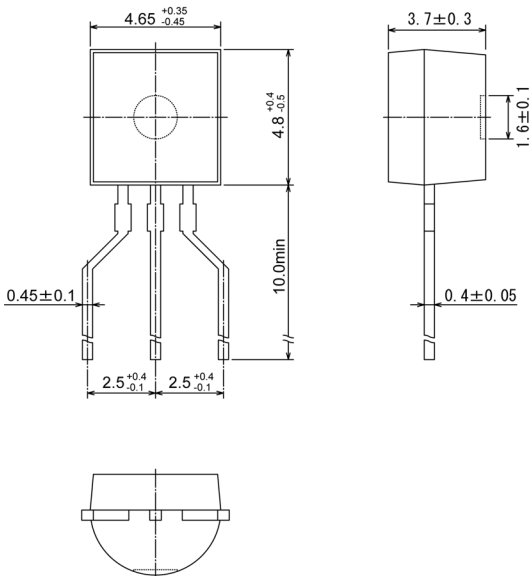
● SOT-23



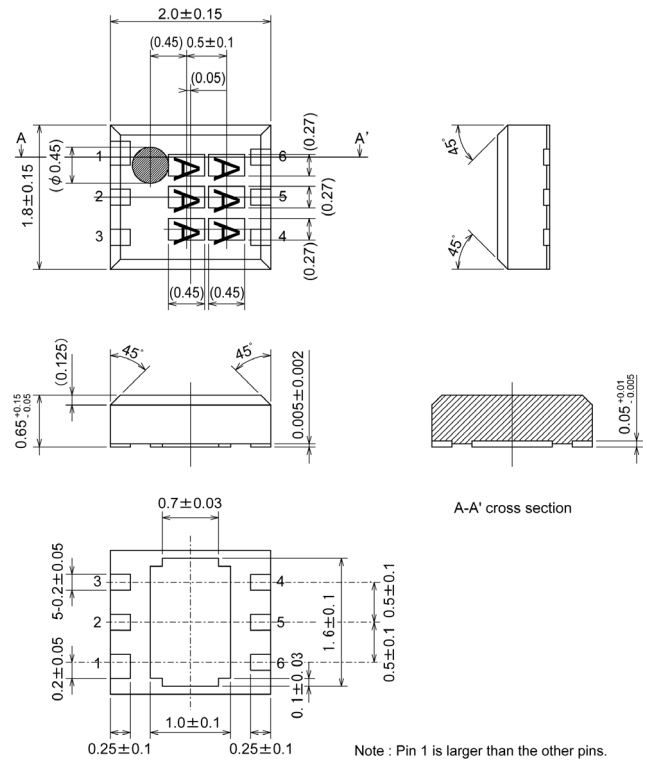
● SOT-89



● TO-92

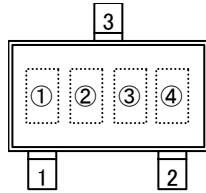


● USP-6B

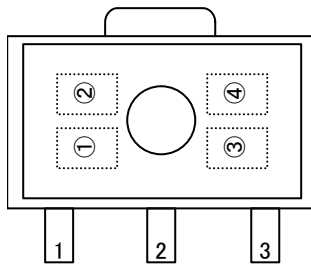


MARKING RULE

●SOT-23, SOT-89



SOT-23
(TOP VIEW)



SOT-89
(TOP VIEW)

①Represents integral number of output voltage

MARK	VOLTAGE (V)	MARK	VOLTAGE (V)
2	2.X	5	5.X
3	3.X	6	6.X
4	4.X		

②Represents decimal number of output voltage

MARK	VOLTAGE (V)	MARK	VOLTAGE (V)
A	x.0	F	x.5
B	x.1	H	x.6
C	x.2	K	x.7
D	x.3	L	x.8
E	x.4	M	x.9

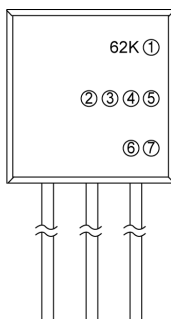
③Represents polarity of output voltage

MARK	POLARITY
5	Negative

④Represents production lot number

0 to 9, A to Z repeated, reverse character 0 to 9, A to Z repeated
(G, I, J, O, Q, W excepted)

●TO-92



TO-92 (T Type)
(TOP VIEW)

①Represents polarity of output voltage

MARK	OUTPUT CONFIGURATION
N	— (Negative)

②③Represents output voltage (ex.)

MARK		VOLTAGE (V)
②	③	
3	3	3.3
5	0	5.0

④Represents temperature characteristics

MARK	TEMPERATURE CHARACTERISTICS
0	±100 ppm (TYP.)

⑤Represents output voltage accuracy

MARK	OUTPUT VOLTAGE ACCURACY
1	Within <u>+1%</u> (semi-custom)
2	Within <u>+2%</u>

⑥Represents least significant digit of production year (ex.)

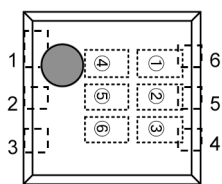
MARK	PRODUCTION YEAR
3	2003
4	2004

⑦Represents production lot number

0 to 9, A to Z repeated (G, I, J, O, Q, W excepted)

MARKING RULE (Continued)

● USP-6B



USP-6B
(TOP VIEW)

① Represents production series

MARK	PRODUCT SERIES
K	XC62KNxx0xDx

② Represents polarity of output voltage

MARK	POLARITY	PRODUCT SERIES
N	– (Negative)	XC62KNxx0xDx

③④ Represents output voltage (ex.)

MARK		VOLTAGE (V)	PRODUCT SERIES
③	④		
3	3	3.3	XC62KN330xDx
5	0	5.0	XC62KN500xDx

⑤ Represents temperature characteristics

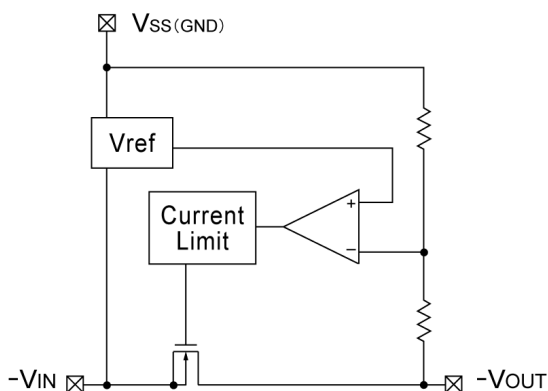
MARK	TEMPERATURE CHARACTERISTICS	PRODUCT SERIES
0	± 100 ppm (TYP.)	XC62KNxx0xDx

⑥ Represents production lot number

0 to 9, A to Z repeated (G, I, J, O, Q, W excepted)

Note: No character inversion used.

BLOCK DIAGRAM



ABSOLUTE MAXIMUM RATINGS

			Ta=25°C	
PARAMETER	SYMBOL	RATINGS	UNITS	
Input Voltage	VIN	-12.0	V	
Output Current	IOUT	200	mA	
Output Voltage	VOUT	-VDD-0.3~VIN+0.3	V	
Power Dissipation	SOT-23	Pd	150	
	SOT-89		500	
	TO-92		300	
	USP-6B		100	
Operating Temperature Range	Topr	-30 ~ +80	°C	
Storage Temperature Range	Tstg	-40 ~ +125	°C	

Note: Please ensure that IOUT is less than Pd/(VOUT-VIN).

ELECTRICAL CHARACTERISTICS

XC62KN5002

$V_{OUT(T)} = -5.0V$

$T_a = 25^\circ C$

PARAMETER	SYMBOL	CONDITIONS	MIN.	TYP.	MAX.	UNITS	CIRCUIT
Output Voltage (*2)	$V_{OUT(E)}$	$I_{OUT} = 20mA$ $V_{IN} = -6.0V$	x 0.98 -4.90	$V_{OUT(T)}$ -5.00	x 1.02 -5.10	V	2
Maximum Output Current	$I_{OUT\ max}$	$V_{IN} = -6.0V, V_{OUT(E)} \geq -4.5V$	100	-	-	mA	4
Load Regulation	ΔV_{OUT}	$V_{IN} = 6.0V$ $1mA \leq I_{OUT} \leq 50mA$	-	40	80	mV	4
Dropout Voltage (*3)	Vdif	$I_{OUT} = 50mA$	-	120	300	mV	3
		$I_{OUT} = 100mA$	-	380	600		
Supply Current	I_{SS}	$V_{IN} = -6.0V$	-	3.0	7.0	μA	1
Line Regulation	$\frac{\Delta V_{OUT}}{\Delta V_{IN} \cdot V_{OUT}}$	$I_{OUT} = 20mA$ $-6.0V \leq V_{IN} \leq -10.0V$	-	0.1	0.3	%V	3
Input Voltage	V_{IN}	-	-	-	-10.0	V	-
Output Voltage Temperature Characteristics	$\frac{\Delta V_{OUT}}{\Delta V_{IN} \cdot V_{OUT}}$	$I_{OUT} = 20mA$ $-30^\circ C \leq T_{opr} \leq 80^\circ C$	-	± 100	-	ppm/ $^\circ C$	-

XC62KN4002

$V_{OUT(T)} = -4.0V$

$T_a = 25^\circ C$

PARAMETER	SYMBOL	CONDITIONS	MIN.	TYP.	MAX.	UNITS	CIRCUIT
Output Voltage (*2)	$V_{OUT(E)}$	$I_{OUT} = 20mA$ $V_{IN} = -5.0V$	x 0.98 -3.92	$V_{OUT(T)}$ -4.00	x 1.02 -4.08	V	2
Maximum Output Current	$I_{OUT\ max}$	$V_{IN} = -5.0V, V_{OUT(E)} \geq -3.6V$	80	-	-	mA	4
Load Regulation	ΔV_{OUT}	$V_{IN} = -5.0V$ $1mA \leq I_{OUT} \leq 45mA$	-	40	80	mV	4
Dropout Voltage (*3)	Vdif	$I_{OUT} = 45mA$	-	120	300	mV	3
		$I_{OUT} = 90mA$	-	380	600		
Supply Current	I_{SS}	$V_{IN} = -5.0V$	-	3.0	6.5	μA	1
Line Regulation	$\frac{\Delta V_{OUT}}{\Delta V_{IN} \cdot V_{OUT}}$	$I_{OUT} = 20mA$ $-5.0V \leq V_{IN} \leq -10.0V$	-	0.1	0.3	%V	3
Input Voltage	V_{IN}	-	-	-	-10.0	V	-
Output Voltage Temperature Characteristics	$\frac{\Delta V_{OUT}}{\Delta V_{IN} \cdot V_{OUT}}$	$I_{OUT} = 20mA$ $-30^\circ C \leq T_{opr} \leq 80^\circ C$	-	± 100	-	ppm/ $^\circ C$	-

NOTE:

*1: $V_{OUT(T)}$ = Specified output voltage

*2: $V_{OUT(E)}$ = Effective output voltage (i.e. the output voltage when " $V_{OUT(T)} - 1.0V$ " is provided at the V_{IN} pin while maintaining a certain I_{OUT} value).

*3: $V_{dif} = \{V_{IN1} - V_{OUT1}\}$

*4: V_{OUT1} = A voltage equal to 98% of the output voltage whenever an amply stabilized I_{OUT} ($V_{OUT(T)} - 1.0V$) is input.

*5: V_{IN1} = The input voltage when a voltage equal to 98% of $V_{OUT(E)}$ appears. (Input voltage is gradually decreased.)

*6: I_{OUTMAX} = Please ensure that output current is within the values given for power dissipation.

■ ELECTRICAL CHARACTERISTICS (Continued)

XC62KN3002

$V_{OUT(T)} = -3.0V$

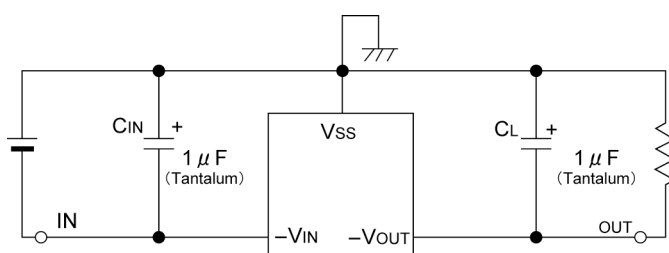
$T_a = 25^\circ C$

PARAMETER	SYMBOL	CONDITIONS	MIN.	TYP.	MAX.	UNITS	CIRCUIT
Output Voltage (*2)	$V_{OUT(E)}$	$I_{OUT} = 20mA$ $V_{IN} = -4.0V$	$\times 0.98$ -2.94	$V_{OUT(T)}$ -3.00	$\times 1.02$ -3.06	V	2
MAX. Output Current	$I_{OUT\ max}$	$V_{IN} = -4.0V, V_{OUT(E)} \geq -2.7V$	60	-	-	mA	4
Load Regulation	ΔV_{OUT}	$V_{IN} = -4.0V$ $1mA \leq I_{OUT} \leq 40mA$	-	40	80	mV	4
Dropout Voltage	V_{dif}	$I_{OUT} = 40mA$	-	120	300	mV	3
		$I_{OUT} = 80mA$	-	380	600		
Supply Current	I_{SS}	$V_{IN} = 4.0V$	-	2.5	6.0	μA	1
Line Regulation	$\frac{\Delta V_{OUT}}{\Delta V_{IN} \cdot V_{OUT}}$	$I_{OUT} = 20mA$ $-4.0V \leq V_{IN} \leq -10.0V$	-	0.1	0.3	%V	3
Input Voltage	V_{IN}	-	-	-	-10.0	V	-
Output Voltage Temperature Characteristics	$\frac{\Delta V_{OUT}}{\Delta V_{IN} \cdot V_{OUT}}$	$I_{OUT} = 20mA$ $-30^\circ C \leq T_{opr} \leq 80^\circ C$	-	± 100	-	ppm/ $^\circ C$	-

NOTE:

- *1: $V_{OUT(T)}$ = Specified output voltage
- *2: $V_{OUT(E)}$ = Effective output voltage (i.e. the output voltage when " $V_{OUT(T)} - 1.0V$ " is provided at the V_{IN} pin while maintaining a certain I_{OUT} value).
- *3: $V_{dif} = \{V_{IN1} - V_{OUT1}\}$
- *4: V_{OUT1} = A voltage equal to 98% of the output voltage whenever an amply stabilized I_{OUT} ($V_{OUT(T)} - 1.0V$) is input.
- *5: V_{IN1} = The input voltage when a voltage equal to 98% of $V_{OUT(E)}$ appears. (Input voltage is gradually decreased.)
- *6: $I_{OUT\ MAX}$ = Please ensure that output current is within the values given for power dissipation.

■ TYPICAL APPLICATION CIRCUIT

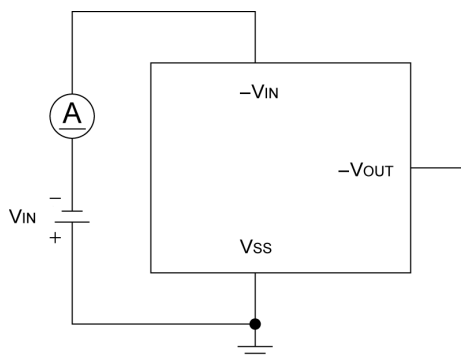


■ NOTES ON USE

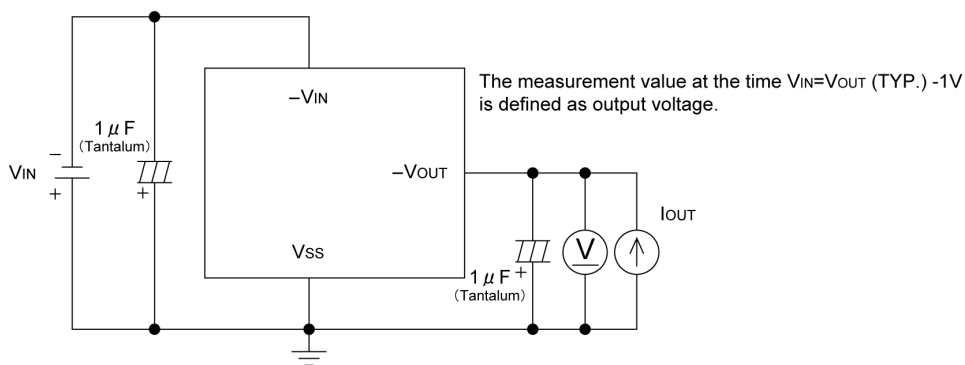
Please ensure that values for input capacitance, C_{IN} and out capacitance, C_L , are more than $1 \mu F$ (Tantalum).

TEST CIRCUITS

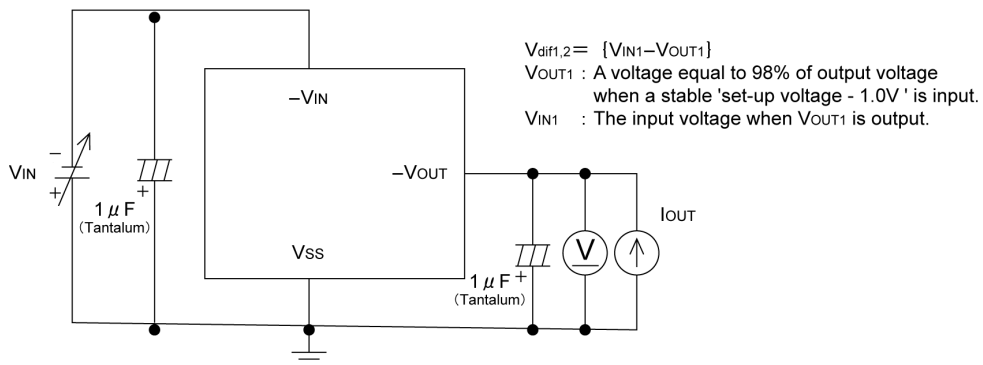
Circuit 1. Supply Current



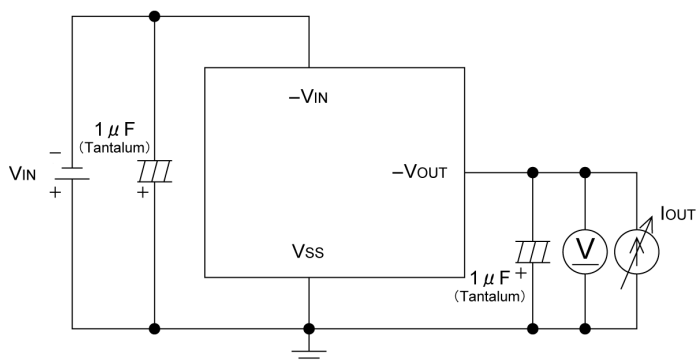
Circuit 2. Output Voltage



Circuit 3. Line Regulation Dropout Voltage

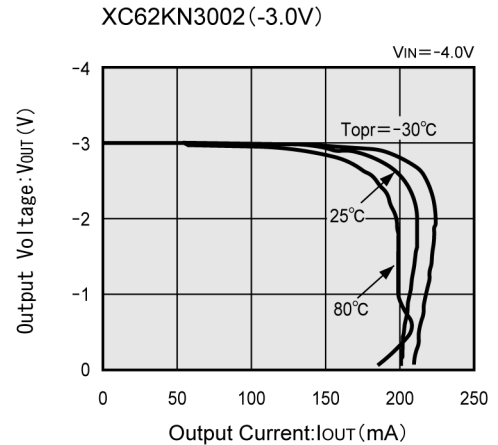
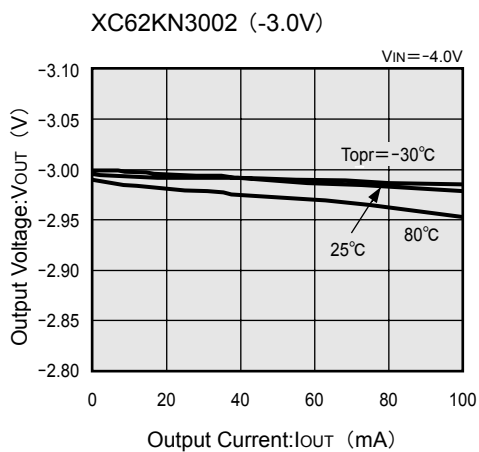
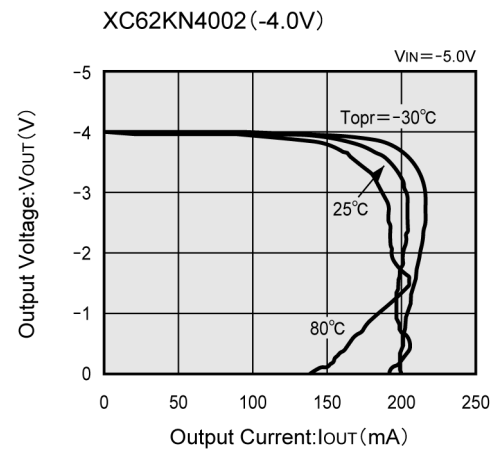
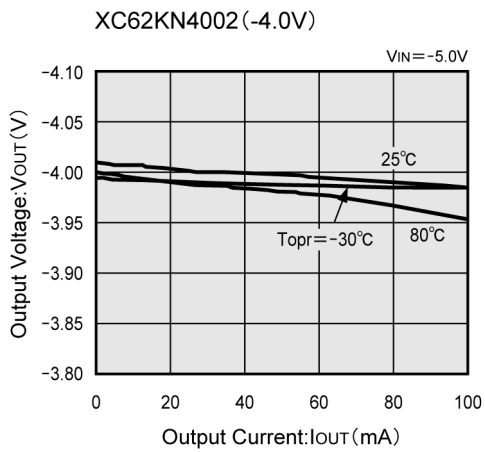
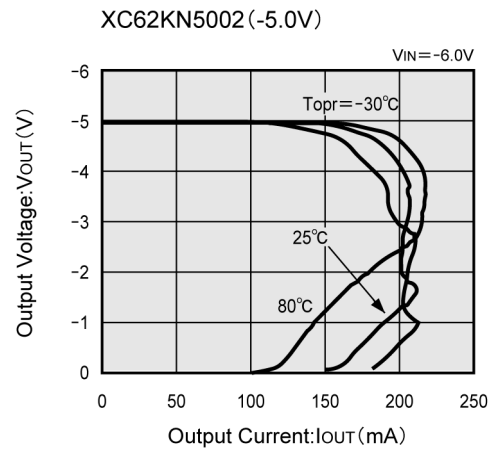
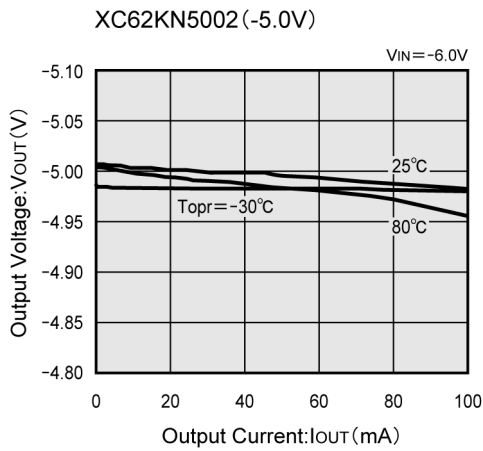


Circuit 4. Load Regulation, Maximum Output Current



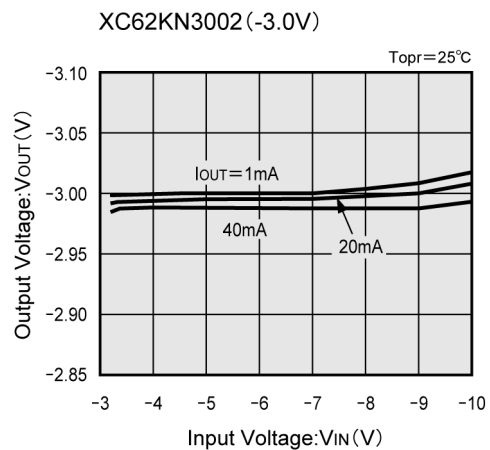
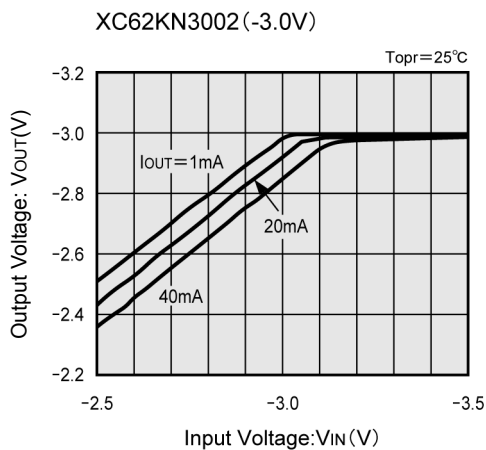
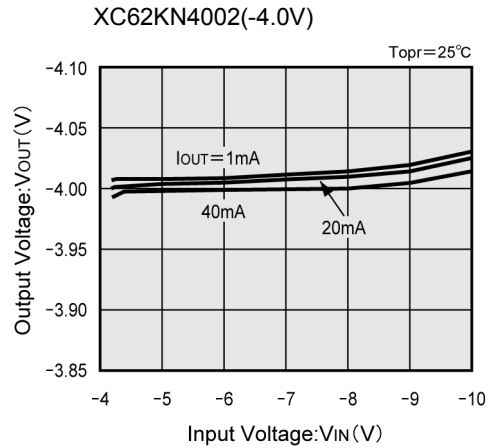
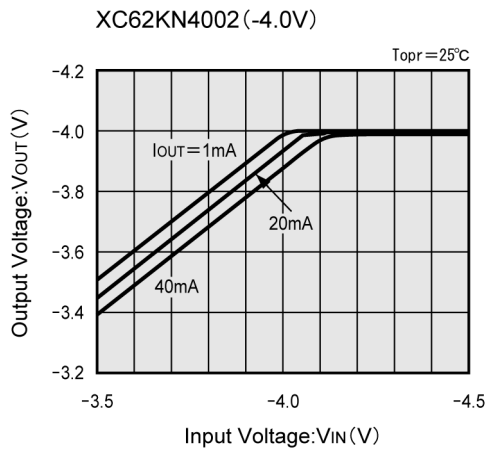
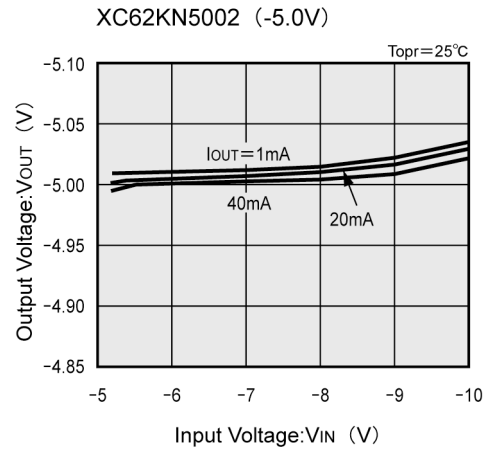
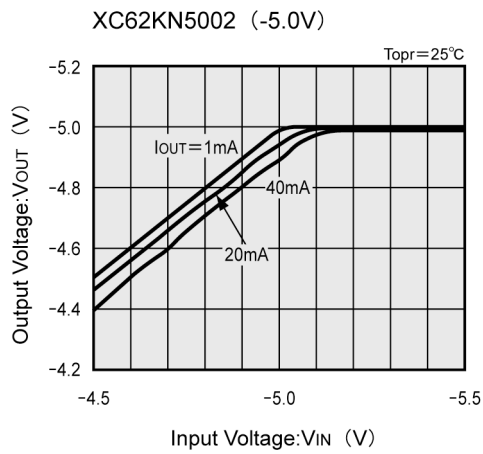
■ TYPICAL PERFORMANCE CHARACTERISTICS

(1) Output Voltage vs. Output Current



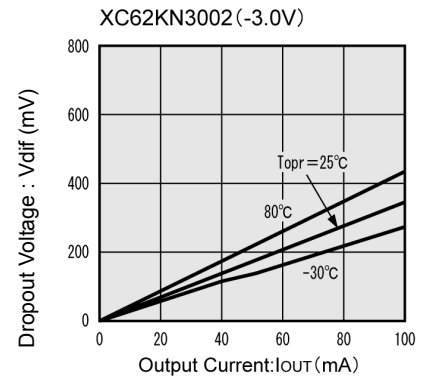
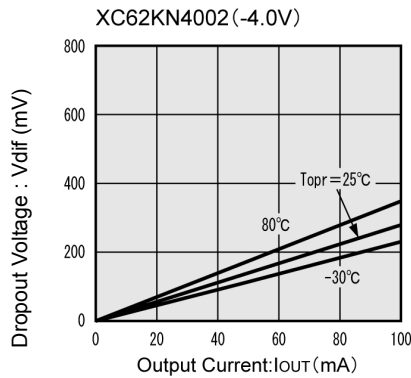
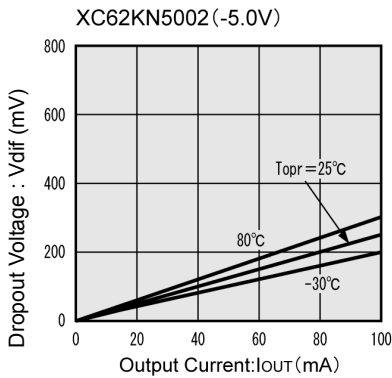
■ TYPICAL PERFORMANCE CHARACTERISTICS (Continued)

(2) Output Voltage vs. Input Voltage

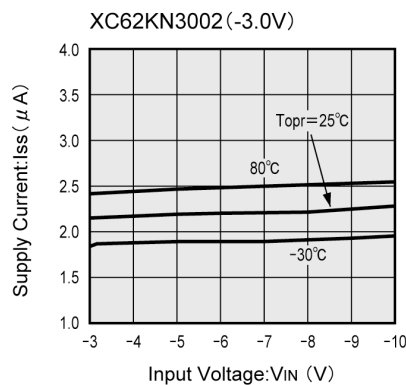
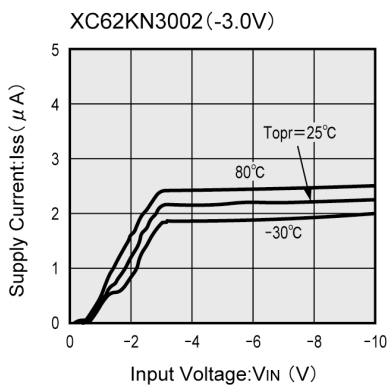
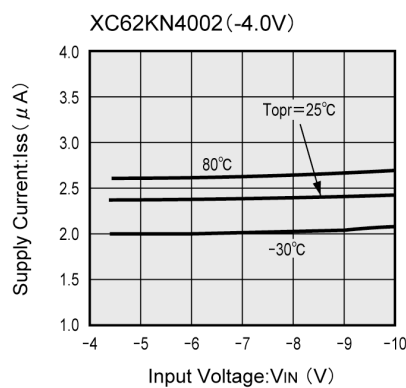
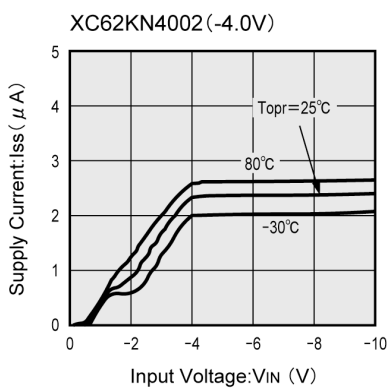
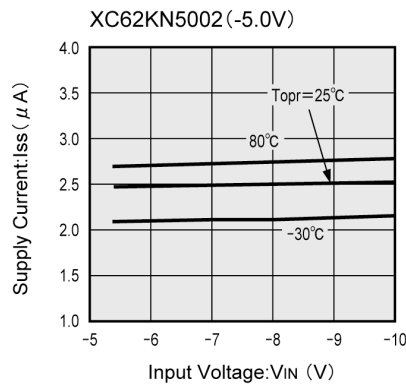
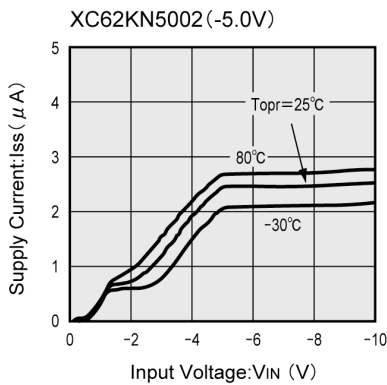


■ TYPICAL PERFORMANCE CHARACTERISTICS (Continued)

(3) Dropout Voltage vs. Output Current

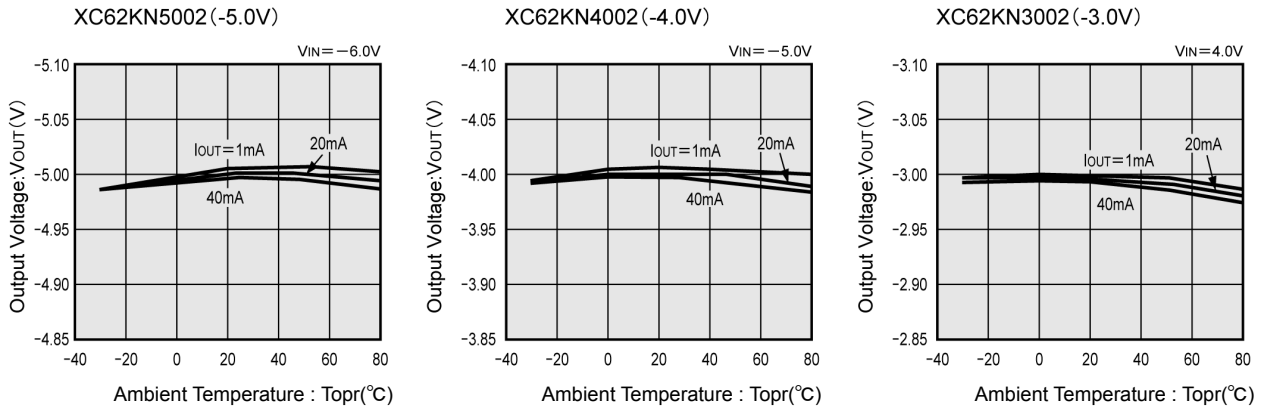


(4) Supply Current vs. Input Voltage

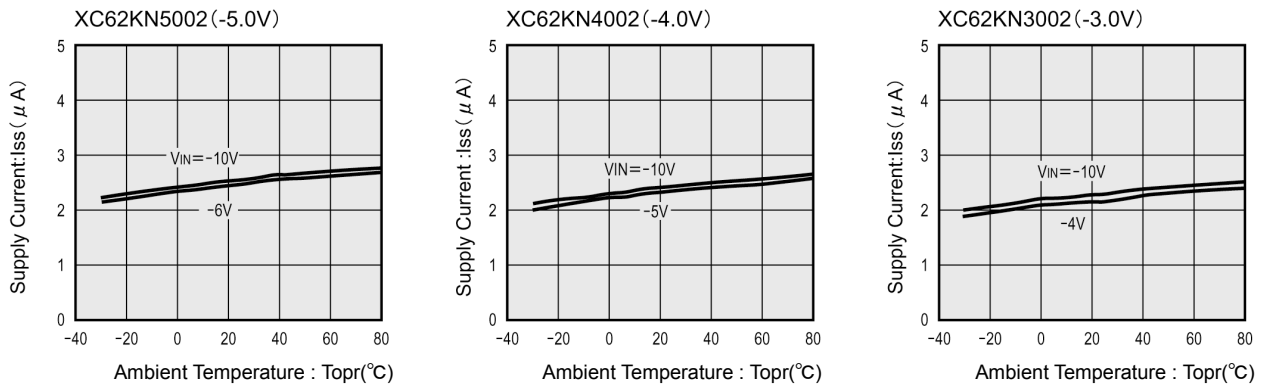


TYPICAL PERFORMANCE CHARACTERISTICS (Continued)

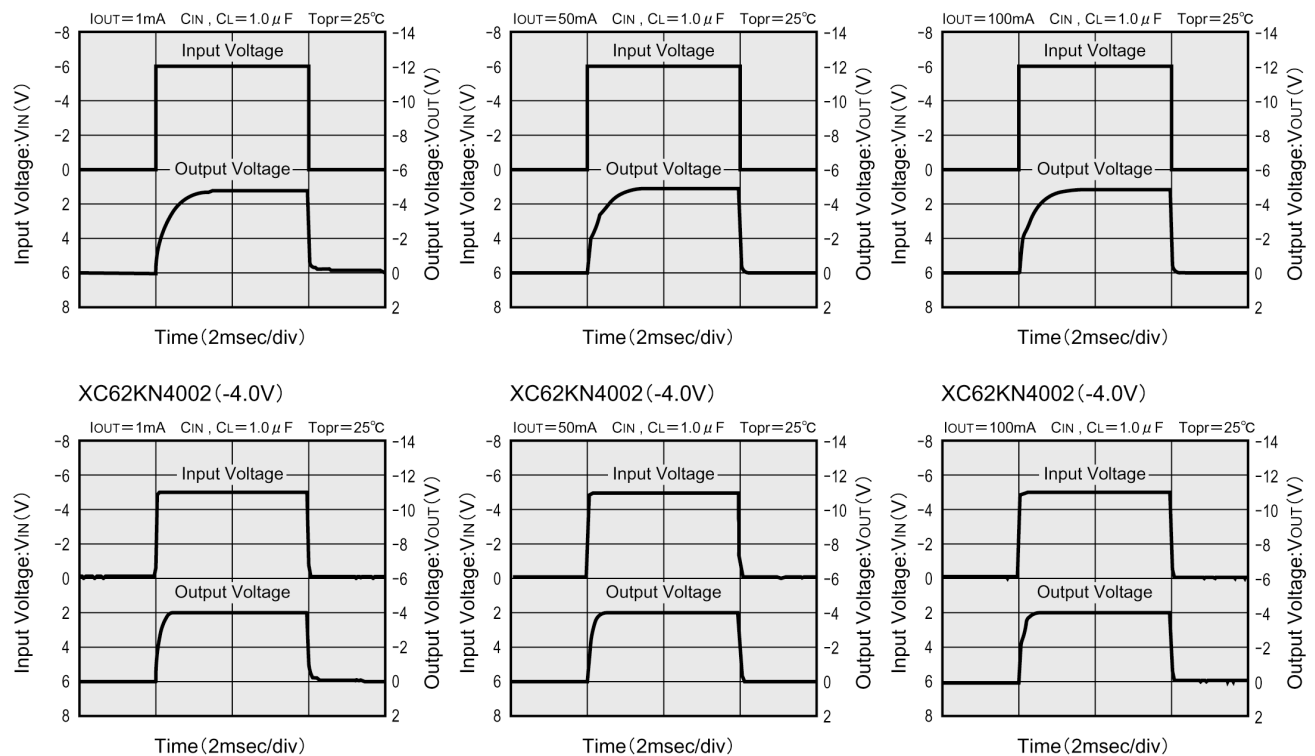
(5) Output Voltage vs. Ambient Temperature



(6) Supply Current vs. Ambient Temperature

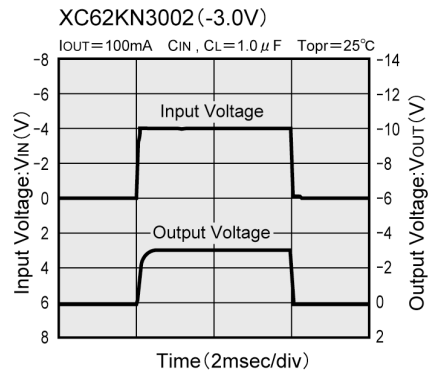
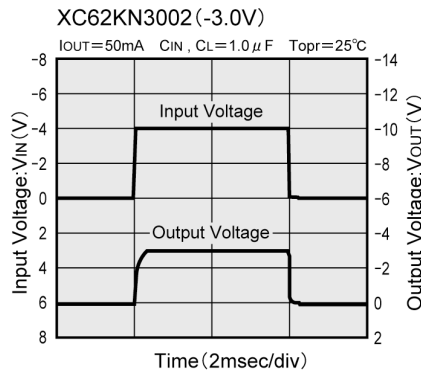
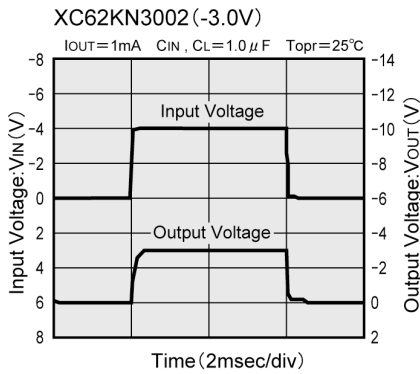


(7) Input Transient Response 1

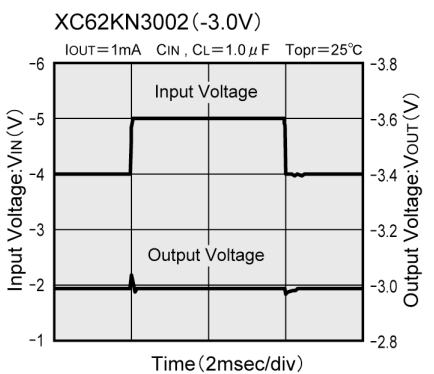
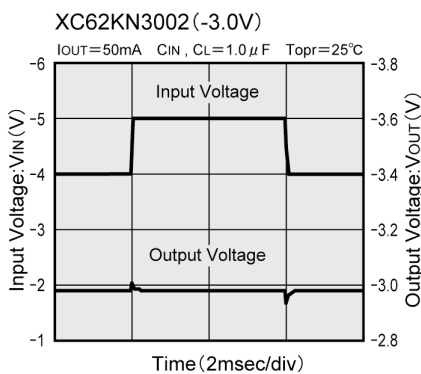
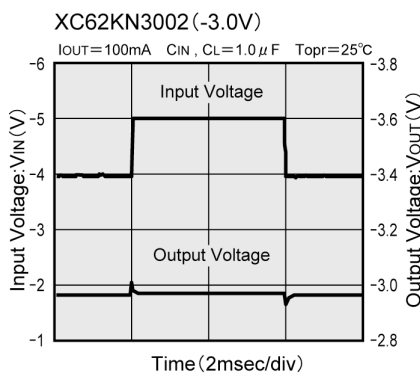
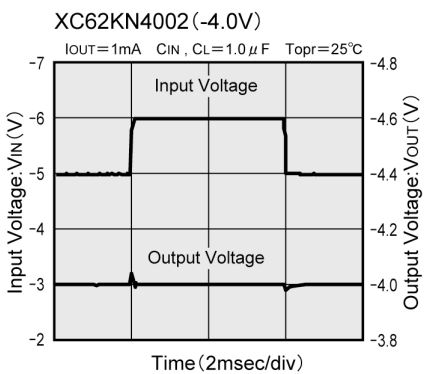
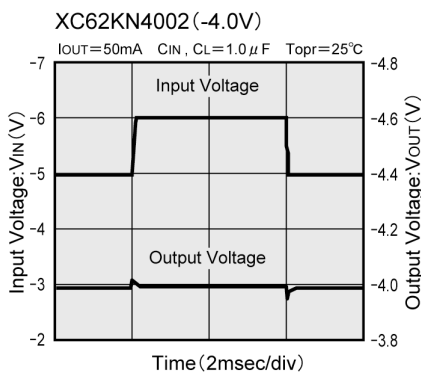
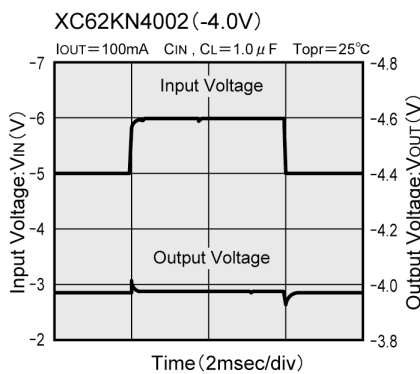
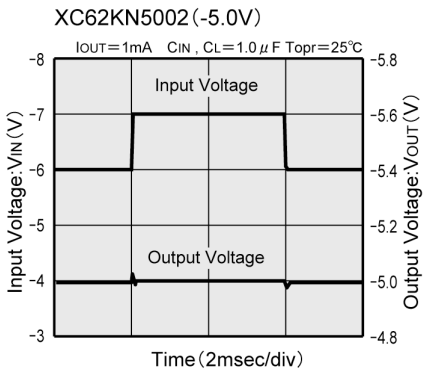
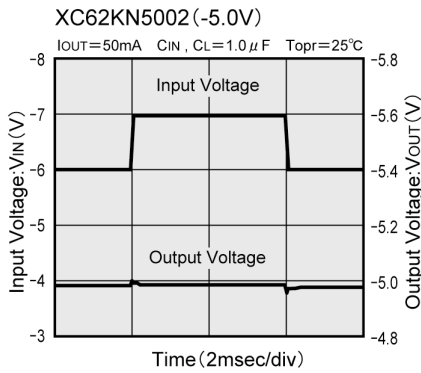
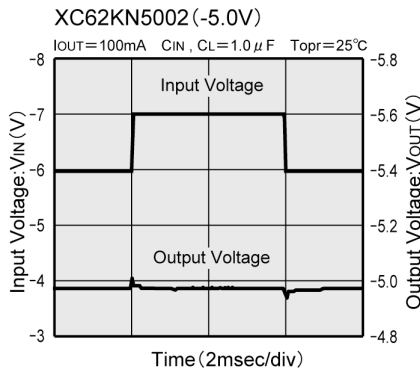


■ TYPICAL PERFORMANCE CHARACTERISTICS (Continued)

(7) Input Transient Response 1

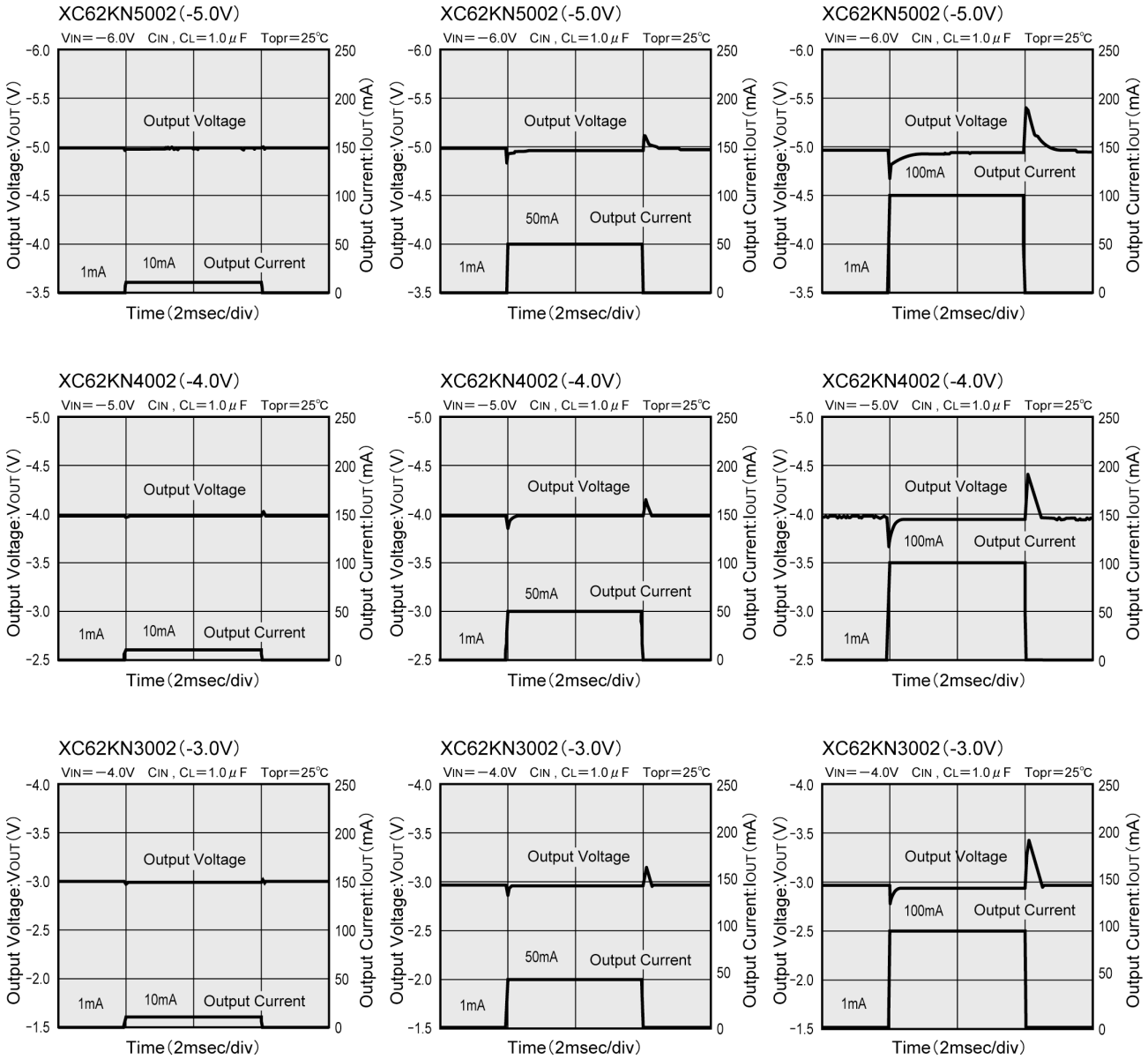


(8) Input Transient Response 2



TYPICAL PERFORMANCE CHARACTERISTICS (Continued)

(9) Load Transient Response



(10) Ripple Rejection Rate

