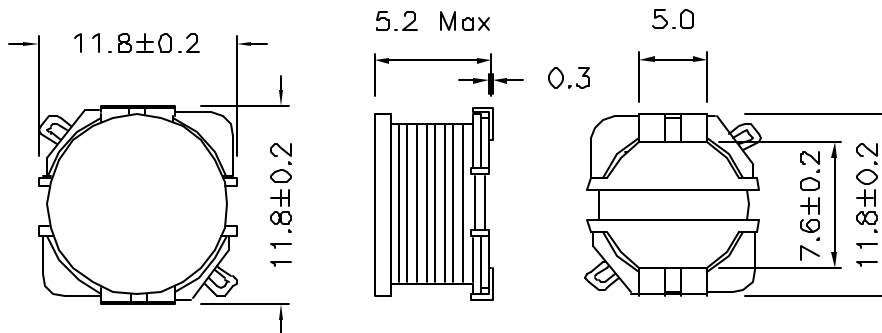


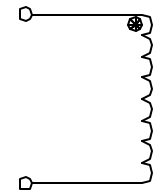
XFCDH115 SERIES POWER INDUCTOR

- * High Inductance, High DC Current Capability
- * True Surface Mount Design
- * Tape & Reel Packaging Standard, 650 Pcs per 13" Reel
- * Custom designs available At No Extra Charge
- * Economical Low Cost Solution For All Your Power Needs

Mechanical Dimensions:



Sechematic:



Part Number	INDUCTANCE (uH) ±10%	DCR (Ohm)	Rated D.C. Current (A)
XFCDH115-100K	10	0.028	3.00
XFCDH115-120K	12	0.033	2.80
XFCDH115-150K	15	0.039	2.50
XFCDH115-180K	18	0.049	2.25
XFCDH115-220K	22	0.060	2.10
XFCDH115-270K	27	0.070	1.84
XFCDH115-330K	33	0.082	1.68
XFCDH115-390K	39	0.110	1.52
XFCDH115-470K	47	0.130	1.36
XFCDH115-560K	56	0.140	1.28
XFCDH115-680K	68	0.160	1.20
XFCDH115-820K	82	0.210	1.04
XFCDH115-101K	100	0.260	0.96
XFCDH115-121K	120	0.290	0.88
XFCDH115-151K	150	0.400	0.76
XFCDH115-181K	180	0.450	0.72
XFCDH115-221K	220	0.530	0.66
XFCDH115-271K	270	0.730	0.59
XFCDH115-331K	330	0.840	0.53
XFCDH115-391K	390	1.100	0.48
XFCDH115-471K	470	1.240	0.45