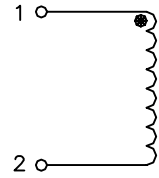


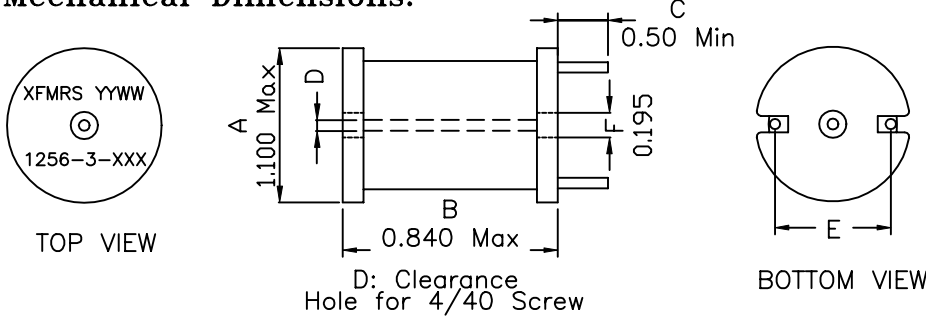
## XFRL-1256-3 SERIES INDUCTORS

1. OCL drop 5% Typ at Isat
2. Temp Rise of 40°C Typ at Irated
3. Inductance  $\pm 10\%$  measured at 1KHz, values below 10uH $\pm 20\%$
4. Leads for PC mounting tinned to within 1/16" of body
5. Custom values available upon request
6. Coils wrapped with sleeving UL-VW-1 rated
7. Center hole for mechanical mounting
8. 1000VAC Hypot (Wdg to Core through Sleeve)
9. DCR measured @20°C
10. Spacer available at additional cost to facilitate PC board washing
11. Operating Temp -40°C to +85°C

### Schematic:



### Mechanical Dimensions:



TOLERANCES:  
 .xxx  $\pm$  0.010  
 Dimensions in INCH

Part Number	INDUCTANCE <sup>3</sup> (uH)	DCR <sup>9</sup> Ohms Max	Isat <sup>1</sup> (A)	Irated <sup>2</sup> (A)	Dimension E Typ
XFRL-1256-3-1.0	1.0	0.003	116.0	21.0	0.800
XFRL-1256-3-1.2	1.2	0.003	116.0	21.0	0.800
XFRL-1256-3-1.5	1.5	0.003	116.0	21.0	0.800
XFRL-1256-3-1.8	1.8	0.003	90.0	21.0	0.800
XFRL-1256-3-2.2	2.2	0.003	90.0	21.0	0.800
XFRL-1256-3-2.7	2.7	0.003	74.0	21.0	0.800
XFRL-1256-3-3.3	3.3	0.003	74.0	21.0	0.800
XFRL-1256-3-3.9	3.9	0.003	62.0	21.0	0.800
XFRL-1256-3-4.7	4.7	0.003	54.0	21.0	0.800
XFRL-1256-3-5.6	5.6	0.003	54.0	21.0	0.800
XFRL-1256-3-6.8	6.8	0.004	47.0	21.0	0.800
XFRL-1256-3-8.2	8.2	0.004	42.0	21.0	0.800
XFRL-1256-3-10	10.0	0.006	38.0	17.0	0.700
XFRL-1256-3-12	12.0	0.008	35.0	13.5	0.690
XFRL-1256-3-15	15.0	0.009	32.0	13.5	0.690
XFRL-1256-3-18	18.0	0.010	29.0	13.5	0.690
XFRL-1256-3-22	22.0	0.011	25.0	13.5	0.790
XFRL-1256-3-27	27.0	0.012	23.0	13.5	0.790
XFRL-1256-3-33	33.0	0.017	20.0	13.5	0.790
XFRL-1256-3-39	39.0	0.022	19.1	11.4	0.790
XFRL-1256-3-47	47.0	0.024	19.0	9.0	0.750
XFRL-1256-3-56	56.0	0.026	17.5	9.0	0.750
XFRL-1256-3-68	68.0	0.029	15.6	9.0	0.750
XFRL-1256-3-82	82.0	0.032	14.0	9.0	0.750
XFRL-1256-3-100	100.0	0.034	13.2	9.0	0.781
XFRL-1256-3-120	120.0	0.046	12.1	7.2	0.750
XFRL-1256-3-150	150.0	0.064	10.8	5.5	0.781
XFRL-1256-3-180	180.0	0.072	9.7	5.5	0.781
XFRL-1256-3-220	220.0	0.080	8.7	5.5	0.781
XFRL-1256-3-270	270.0	0.110	7.9	4.5	0.750
XFRL-1256-3-330	330.0	0.122	7.1	4.5	0.812
XFRL-1256-3-390	390.0	0.169	6.7	4.0	0.750
XFRL-1256-3-470	470.0	0.187	6.0	4.0	0.750
XFRL-1256-3-560	560.0	0.205	5.5	4.0	0.750
XFRL-1256-3-680	680.0	0.256	5.0	2.8	0.718
XFRL-1256-3-820	820.0	0.288	4.5	2.8	0.843
XFRL-1256-3-1000	1000.0	0.426	4.1	2.0	0.750
XFRL-1256-3-1200	1200.0	0.462	3.7	2.0	0.750
XFRL-1256-3-1500	1500.0	0.518	3.4	2.0	0.750
XFRL-1256-3-1800	1800.0	0.705	2.8	1.6	0.770
XFRL-1256-3-2200	2200.0	1.020	2.5	1.3	0.770
XFRL-1256-3-2700	2700.0	1.140	2.3	1.3	0.770
XFRL-1256-3-3300	3300.0	1.270	2.0	1.3	0.750
XFRL-1256-3-3900	3900.0	1.670	1.8	1.0	0.750
XFRL-1256-3-4700	4700.0	1.860	1.7	1.0	0.750