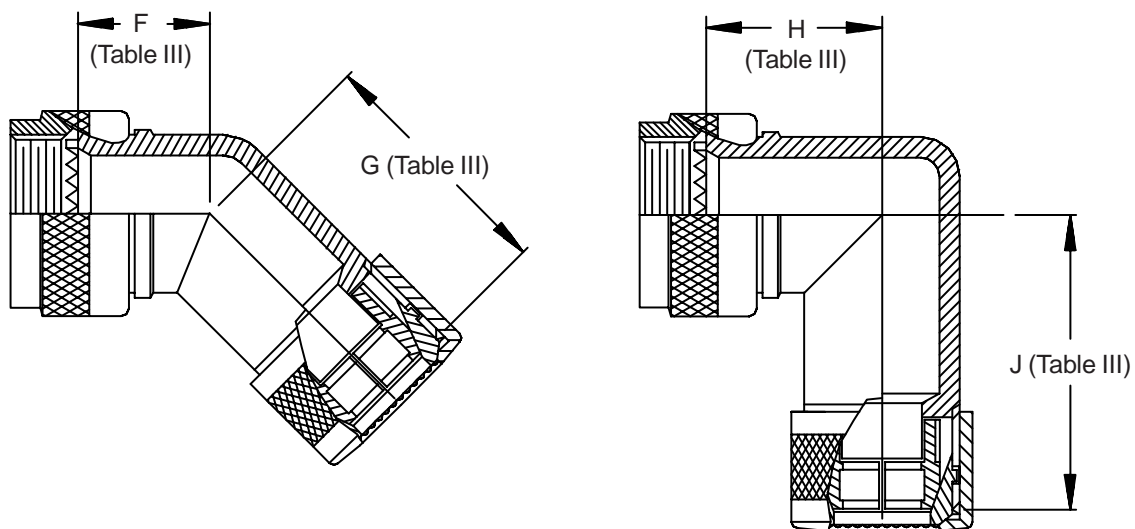
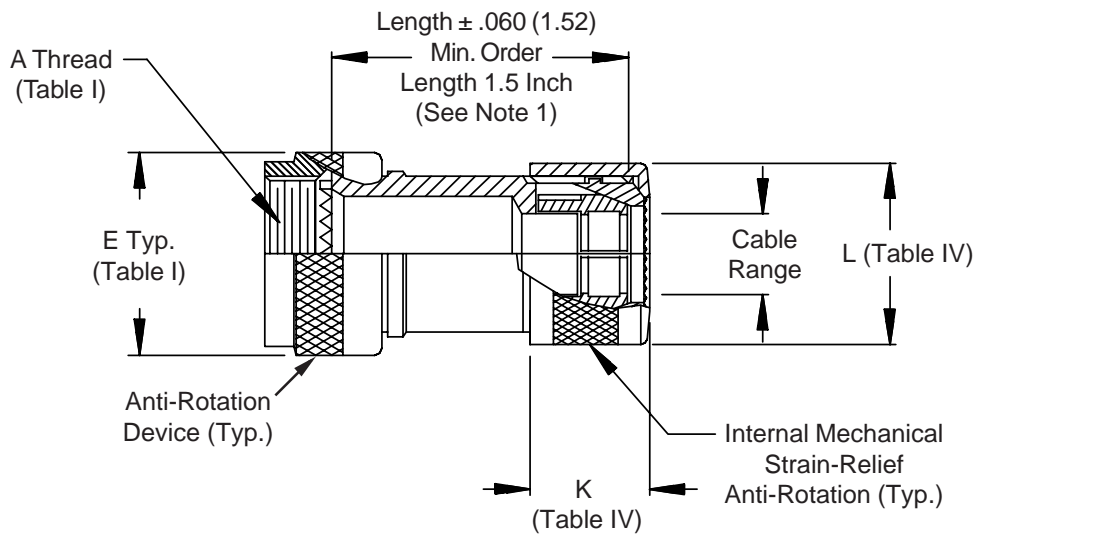
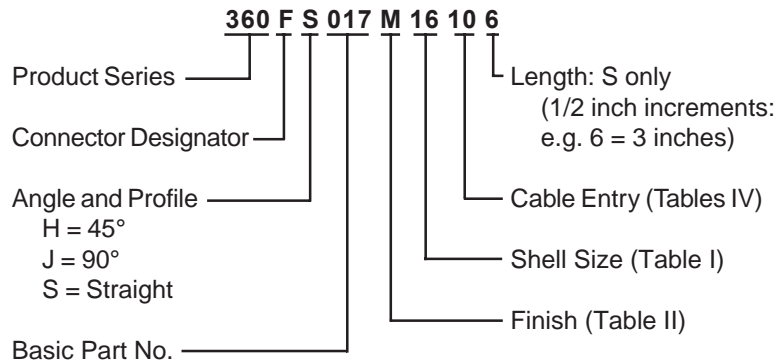


**CONNECTOR  
 DESIGNATORS  
 A-F-H-L-S  
 SELF-LOCKING  
 ROTATABLE  
 COUPLING  
 QWIKCLAMP®  
 STRAIN RELIEF**



See inside back cover fold-out or pages 13 and 14 for unabridged Tables I and II.

TABLE III: ELBOW DIMENSIONS						
Shell Size		F Max	G Max	H Max	J Max	
Conn. Desig. A-F-L-S	H					
08	09	.795 (20.2)	1.390 (35.3)	.906 (23.0)	1.500 (38.1)	
10	11	.820 (20.8)	1.420 (36.1)	.966 (24.5)	1.560 (39.6)	
12	13	.844 (21.4)	1.440 (36.6)	1.026 (26.1)	1.620 (41.1)	
14	15	.861 (21.9)	1.470 (37.3)	1.076 (27.3)	1.690 (42.9)	
16	17	.888 (22.6)	1.490 (37.8)	1.136 (28.9)	1.750 (44.5)	
18	19	.904 (23.0)	1.500 (38.1)	1.176 (29.9)	1.770 (45.0)	
20	21	.929 (23.6)	1.520 (38.6)	1.236 (31.4)	1.830 (46.5)	
22	23	.956 (24.3)	1.560 (39.6)	1.296 (32.9)	1.910 (48.5)	
24	25	.979 (24.9)	1.590 (40.4)	1.356 (34.4)	1.980 (50.3)	
28		1.197 (30.4)	1.760 (44.7)	1.636 (41.6)	2.220 (56.4)	
32		1.280 (32.5)	1.800 (45.7)	1.780 (45.2)	2.310 (58.7)	
36		1.294 (32.9)	1.850 (47.0)	1.876 (47.7)	2.420 (61.5)	
40		1.340 (34.0)	1.890 (48.0)	1.986 (50.4)	2.530 (64.3)	
44		1.360 (34.5)	1.940 (49.3)	2.235 (56.8)	2.650 (67.3)	

TABLE IV: CABLE ENTRY					
Dash No.	K Max	L Max	Cable Range		
			Min	Max	
08	.530 (13.5)	.720 (18.3)	.128 (3.3)	.250 (6.4)	
12	.710 (18.0)	.910 (23.1)	.233 (5.9)	.375 (9.5)	
16	.720 (18.3)	1.090 (27.7)	.358 (9.1)	.500 (12.7)	
20	.720 (18.3)	1.220 (31.0)	.482 (12.2)	.625 (15.9)	
24	.660 (16.8)	1.340 (34.0)	.545 (13.8)	.750 (19.1)	
28	.790 (20.1)	1.530 (38.9)	.670 (17.0)	.875 (22.2)	
32	.870 (22.1)	1.720 (43.7)	.795 (20.2)	1.000 (25.4)	
36	.830 (21.1)	1.850 (47.0)	.889 (22.6)	1.125 (28.6)	
40	.820 (20.8)	1.970 (50.0)	1.014 (25.8)	1.250 (31.8)	
44	.910 (23.1)	2.090 (53.1)	1.155 (29.3)	1.375 (34.9)	
48	.900 (22.9)	2.280 (57.9)	1.280 (32.5)	1.500 (38.1)	

1. Consult factory for shorter lengths on straight backshells.
2. Metric dimensions (mm) are indicated in parentheses.
3. Cable range is defined as the accommodations range for the wire bundle or cable.  
Dimensions shown are not intended for inspection criteria.

TABLE II: STANDARD FINISHES	
GLENAIR SYMBOL	FINISH
B	Cadmium Plate, Olive Drab
C	Anodize, Black
G	Hard Coat, Anodic
M	Electroless Nickel
NF	Cadmium Plate, Olive Drab Over Electroless Nickel
See Inside Back Cover for Additional Finish Options	