

XP10-M

Ten-Input Monitor Module



Addressable Devices

General

The **XP10-M ten-input monitor module** provides an interface between a control panel and normally open contact devices in intelligent alarm systems such as pull stations, security contacts, or flow switches.

The first address on the XP10-M is set from 01 to 150 and the remaining modules are automatically assigned to the next nine higher addresses. Provisions are included for disabling a maximum of two unused addresses.

The supervised state (normal, open, or short) of the monitored device is sent back to the panel. A common SLC input is used for all modules, and the initiating device loops share a common supervisory supply and ground — otherwise each monitor operates independently from the others.

Each XP10-M module has panel-controlled green LED indicators. The panel can cause the LEDs to blink, latch on, or latch off.

Features

- Ten addressable Class B or five addressable Class A initiating device circuits.
- Removable 12 AWG (3.31 mm²) to 18 AWG (0.821 mm²) plug-in terminal blocks.
- Status indicators for each point.
- Unused addresses may be disabled.
- Rotary address switches.
- Class A or Class B operation.
- FlashScan® or CLIP operation.
- Mount one or two modules in a BB-XP cabinet (optional).
- Mount up to six modules on a CHS-6 chassis in a CAB-3 Series, CAB-4 Series, EQ Cabinet Series, or BB-25 cabinet (optional).
- Mounting hardware included.

Specifications

Standby current: 3.5 mA (SLC current draw with all addresses used; if some addresses are disabled, the standby current decreases).

Alarm current: 55 mA (assumes all ten LEDs solid ON).

Temperature range: 32°F to 120°F (0°C to 49°C) for UL applications; -10°C to +55°C for EN54 applications.

Humidity: 10% to 85% noncondensing for UL applications; 10% to 93% noncondensing for EN54 applications.

Dimensions: 6.8" (172.72 mm) high x 5.8" (147.32 mm) wide x 1.25" (31.75 mm) deep.

Shipping weight: 1.1 lb. (0.499 kg) including packaging.

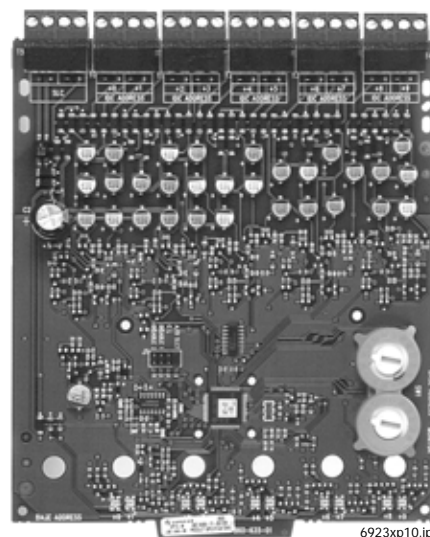
Mounting options: CHS-6 chassis, BB-25 cabinet, BB-XP cabinet, CAB-3 Series cabinet (see DN-3549), CAB-4 Series cabinet (see DN-6857), or EQ Cabinet Series (see DN-60229).

Wire gauge: 12 AWG (3.31 mm²) to 18 AWG (0.821 mm²).

Power-limited circuits must employ type FPL, FPLR, or FPLP cable as required by Article 760 of the NEC.

XP10-M is shipped in Class B position; remove shunt for Class A operation.

Maximum SLC wiring resistance: 40 or 50 ohms, panel dependent.



6923xp10.jpg

Maximum IDC wiring resistance: 1500 ohms.

Maximum IDC voltage: 12 VDC.

Maximum IDC current: 1 mA.

Agency Listings and Approvals

The listings and approvals below apply to the XP10-M Ten-Input Monitor Module. In some cases, certain modules or applications may not be listed by certain approval agencies, or listing may be in process. Consult factory for latest listing status.

- UL Listed: file S3705.
- ULC Listed: file S635 (XP10-MA).
- CSFM approved: file 7300-0028:219.
- FM approved.
- MEA approved: file 43-02-E.
- Maryland State Fire Marshal approved: Permit #2106.

Product Line Information

XP10-M: Ten-input monitor module.

XP10-MA: Same as above with ULC Listing.

BB-XP: Optional cabinet for one or two modules. **Dimensions, DOOR:** 9.234" (23.454 cm) wide (9.484" [24.089 cm] including hinges), x 12.218" (31.0337 cm) high, x 0.672" (1.7068 cm) deep; **BACKBOX:** 9.0" (22.860 cm) wide (9.25" [23.495 cm] including hinges), x 12.0" (30.480 cm) high x 2.75" (6.985 cm); **CHASSIS (installed):** 7.150" (18.161 cm) wide overall x 7.312" (18.5725 cm) high interior overall x 2.156" (5.4762 cm) deep overall.

BB-25: Optional cabinet for up to six modules mounted on CHS-6 chassis (below). **Dimensions, DOOR:** 24.0" (60.96 cm) wide x 12.632" (32.0852 cm) high, x 1.25" (3.175 cm) deep, hinged at bottom; **BACKBOX:** 24.0" (60.96 cm) wide x 12.550" (31.877 cm) high x 5.218" (13.2537 cm) deep.

CHS-6: Chassis, mounts up to six modules in a CAB-3 Series (see DN-3549), CAB-4 Series (see DN-6857) cabinet, EQ Cabinet Series (see DN-60229), or BB-25.

Wiring Diagrams

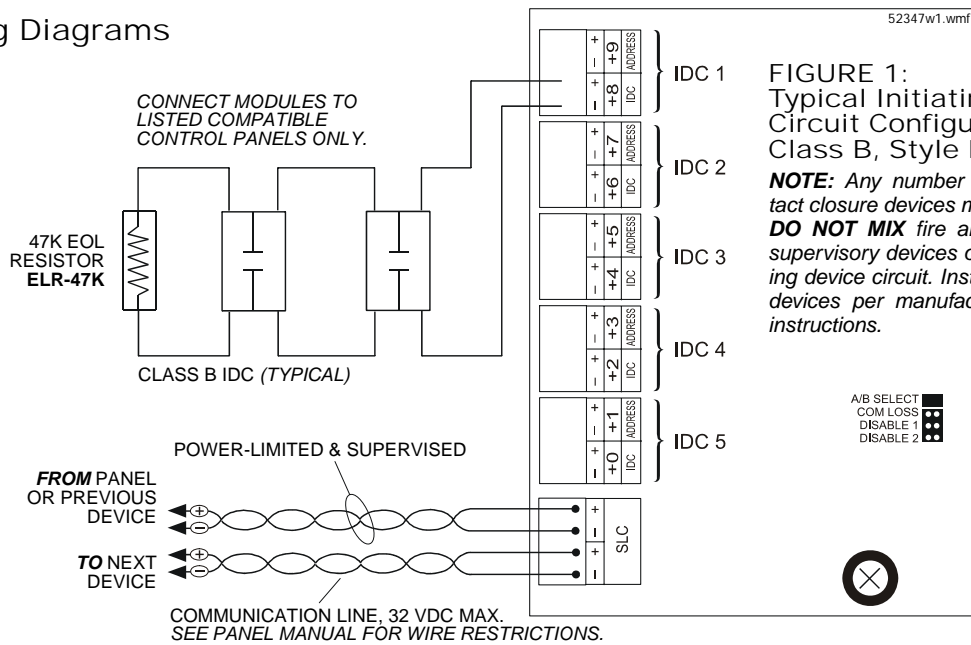


FIGURE 1:
Typical Initiating Device Circuit Configuration — Class B, Style B.

NOTE: Any number of UL-Listed contact closure devices may be used. **DO NOT MIX** fire alarm initiating and supervisory devices on the same initiating device circuit. Install contact closure devices per manufacturer's installation instructions.

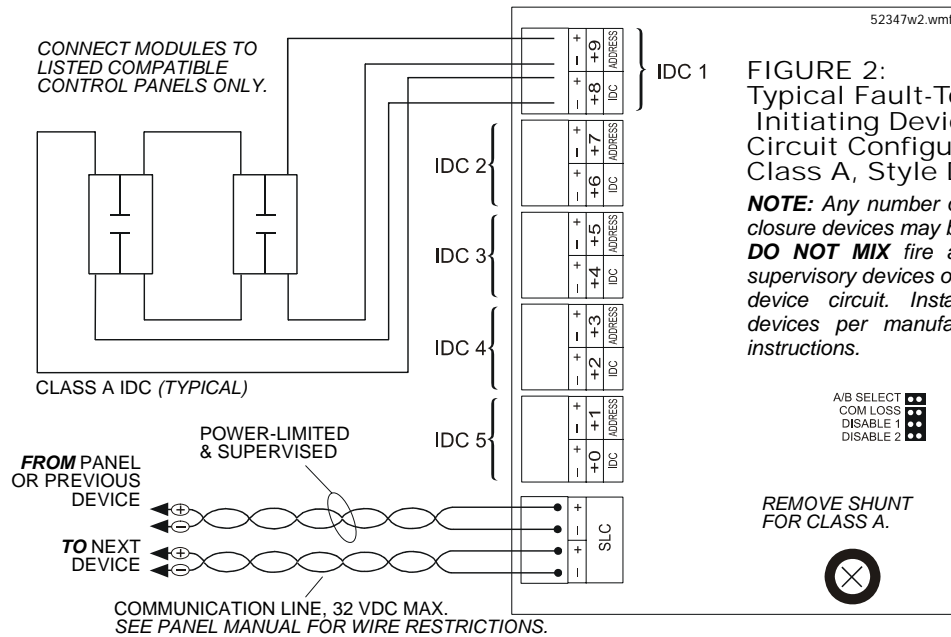


FIGURE 2:
Typical Fault-Tolerant Initiating Device Circuit Configuration — Class A, Style D.

NOTE: Any number of UL-Listed contact closure devices may be used. **DO NOT MIX** fire alarm initiating and supervisory devices on the same initiating device circuit. Install contact closure devices per manufacturer's installation instructions.

FlashScan® and Notifier® are registered trademarks of Honeywell International Inc.
©2007 by Honeywell International Inc. All rights reserved. Unauthorized use of this document is strictly prohibited.



This document is not intended to be used for installation purposes. We try to keep our product information up-to-date and accurate. We cannot cover all specific applications or anticipate all requirements. All specifications are subject to change without notice.



For more information, contact Notifier. Phone: (203) 484-7161, FAX: (203) 484-7118. www.notifier.com