



Industrial Connection System








 **Y-ON[®]RJ45**
.....SERIES

 **Y-ON[®]USB**
.....SERIES

 **Y-ON[®]IEEE**
.....SERIES

 **Y-ON[®]PROFI-NET**
.....SERIES

Table of Contents

| | | |
|---|--------------|---|
| Y-ConRJ45 system overview | inside cover |  |
| IP67/68/69K protected components for Y-Con RJ45 | |  |
| Cover, metal housing and transport cap | 2 | |
| Cover EMI version, metal housing and transport cap | 3 | |
| Full metal cover and transport cap..... | 4 | |
| Full metal cover EMI version and transport cap..... | 5 | |
| Mounting flange, transport cap and punch | 6 | |
| Full metal mounting flange, transport cap and punch..... | 7 | |
| Industrial RJ45 plugs | | |
| RJ45 cable plug, standard strain relief and transport cap | 8 | |
| IP20 protected components for Y-Con RJ45 | | |
| Locking system (180°) with holding frames | 9 | |
| Metal cover EMI version and transport cap | 10 | |
| Locking system (90°) with locking slider..... | 11 | |
| RJ45 cable assemblies | 12 - 13 | |
| Industrial RJ45 jacks | 14 - 22 | |
| Assembly tools | 23 | |
| Industrial cables | 24 - 25 | |
| Field kits for Y-Con RJ45 | 26 - 27 | |
| Industrial peripherals | | |
| Outlet..... | 28 | |
| Terminal | 28 | |
| Coupler..... | 29 | |
| Ethernet switch..... | 29 | |
| Y-Con with M8 / M12 cable assemblies | 30 - 31 |  |
| Y-ConProfiNet | 32 |  |
| Y-ConUSB | |  |
| Memory stick | 33 | |
| Mounting flange and adapter | 34 | |
| PCB mounted jacks, coupler jacks..... | 35 | |
| Cable assemblies | 36 -37 | |
| Y-ConIEEE | |  |
| Cable assemblies | 38 | |
| Mounting flange, adapter and PCB mounted jack | 39 | |
| Product tests | 40 | |
| Part number details | back pages | |
| Y-ConUSB system overview | back cover |  |



Part Number (Details)

Y-ConCover - 10 - * - *

| | |
|----------------|----------------|
| Series | |
| Design Number | |
| No Mark = Blue | B = Black |
| No Mark = Std. | LT = Low Temp. |

| Part Number | Colour | Low Temperature Type |
|--------------------|--------|----------------------|
| Y-ConCover-10 | Blue | No |
| Y-ConCover-10-B | Black | No |
| Y-ConCover-10-LT | Blue | Yes |
| Y-ConCover-10-B-LT | Black | Yes |

Description:

IP67/68/69K cover for self assembly with Y-Con plugs and cables, complete with latches, seals and terminator cap

IP67/68/69K-Steckergehäuse zur Selbstmontage mit Y-Con Kabelsteckern und Kabeln, komplett mit Rasthaken, Dichtungen und Abschlusskappe

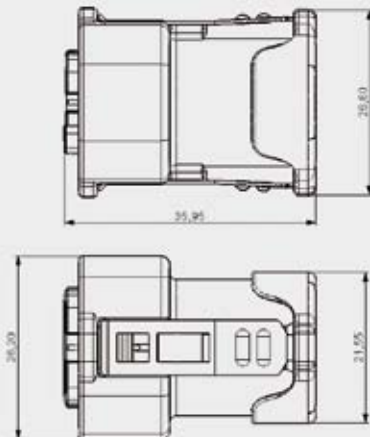
Material:

| | |
|---------------------------|----------------------|
| Body Gehäuse | PBT, UL94V-0 |
| Seal Dichtung | FKM (Viton®) or HNBR |
| Fixing clips Rasthaken | Stainless steel |

Specifications:

| | |
|-----------------------|----------------|
| Operating Temp.: Std. | -20°C ~ +120°C |
| Betriebstemp. LT | -40°C ~ +120°C |

Outline Dimensions



Accessories

Part No.: Y-ConCover-30

Description:

Metal cover for retro-fitting to Y-ConCover-10-* offering increased mechanical stability

Metallisches Schutzgehäuse zur Nachrüstung auf Y-ConCover-10-, für erhöhte mechanische Stabilität*

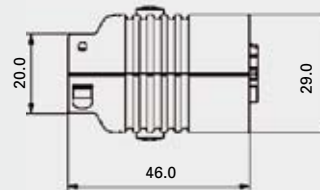


Material:

| | |
|---------------------------|-----------------|
| Body + Buttons Gehäuse | Die-cast zinc |
| Screws Schrauben | Stainless Steel |

Specifications:

Operating Temp.: -20°C ~ +120°C
Betriebstemp.



Accessories

Part No.: Y-ConAS-21

Description:

IP67 protective transport cap for Y-ConCover-10-* / Y-ConCover-40-*

IP67-Transportschutzabdeckung für Y-ConCover-10- / Y-ConCover-40-**



Material:

| | |
|-----------------|------------------------|
| Body Gehäuse | PE (Transparent white) |
|-----------------|------------------------|

Specifications:

Operating Temp.: -20°C ~ +80°C
Betriebstemp.

IP67/68/69K Protected Components



Part Number
(Details)

Y-ConCover - 10 - * - * - E

Series

Design Number

No Mark = Blue B = Black

No Mark = Std. LT = Low Temp.

E = EMI Version

| Part Number | Colour | Low Temperature Type | EMI Spring |
|----------------------|--------|----------------------|------------|
| Y-ConCover-10-E | Blue | No | Yes |
| Y-ConCover-10-B-E | Black | No | Yes |
| Y-ConCover-10-LT-E | Blue | Yes | Yes |
| Y-ConCover-10-B-LT-E | Black | Yes | Yes |

Description:

IP67/68/69K cover EMI version for self assembly with Y-Con plugs and cables, complete with latches, seals and terminator cap. Integrated EMI spring for improved EMI protection

IP67/68/69K-Steckergehäuse EMV Version zur Selbstmontage mit Y-Con Kabelsteckern und Kabeln, komplett mit Rasthaken, Dichtungen und Abschlusskappe. Integrierte EMV Feder für verbesserten EMV Schutz

Material:

Body PBT, UL94V-0
Gehäuse

Seal FKM (Viton®) or HNBR
Dichtung

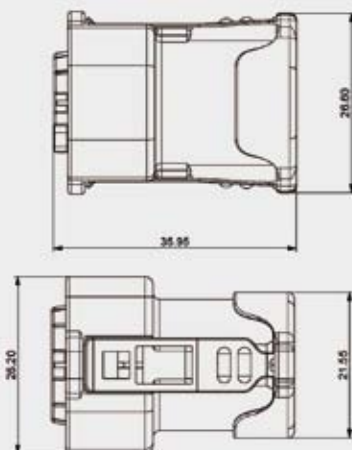
Fixing clips Stainless steel
Rasthaken

EMI Spring Brass
EMV Feder

Specifications:

Operating Temp.: Std. -20°C ~ +120°C
Betriebstemp. LT -40°C ~ +120°C

Outline Dimensions



Accessories

Part No.: Y-ConCover-30

Description:

Metal cover for retro-fitting to Y-ConCover-10-* offering increased mechanical stability

Metallisches Schutzgehäuse zur Nachrüstung auf Y-ConCover-10-*, für erhöhte mechanische Stabilität



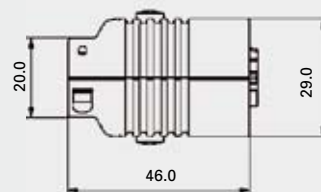
Material:

Body + Buttons Die-cast zinc
Gehäuse

Screws Stainless Steel
Schrauben

Specifications:

Operating Temp.: -20°C ~ +120°C
Betriebstemp.



Accessories

Part No.: Y-ConAS-21

Description:

IP67 protective transport cap for Y-ConCover-10-* / Y-ConCover-40-*

IP67-Transportschutzabdeckung für Y-ConCover-10-* / Y-ConCover-40-*



Material:

Body PE (Transparent white)
Gehäuse

Specifications:

Operating Temp.: -20°C ~ +80°C
Betriebstemp.



Part Number (Details)

Y-ConCover - 40 - **

| | |
|----------------|----------------|
| Series | |
| Design Number | |
| No Mark = Std. | LT = Low Temp. |

| Part Number | Low Temperature Type |
|------------------|----------------------|
| Y-ConCover-40 | No |
| Y-ConCover-40-LT | Yes |

Description:

IP67/68/69K metal cover for self-assembly with Y-Con plugs and cables, with Twist-Lock open and close mechanism, complete with latches, seals and terminator cap

IP67/68/69K-Metallgehäuse (Twist-Lock) mit Schraubverschluss zur Selbstmontage mit Y-Con Kabelsteckern und Kabeln, komplett mit Rasthaken, Dichtungen und Abschlusskappe

Material:

| | |
|---------------------------|----------------------|
| Body Gehäuse | Die-cast zinc |
| Seal Dichtung | FKM (Viton®) or HNBR |
| Fixing clips Rasthaken | Stainless steel |

Specifications:

| | |
|-----------------------|----------------|
| Operating Temp.: Std. | -20°C ~ +120°C |
| Betriebstemp. LT | -40°C ~ +120°C |

Accessories

Part No.: Y-ConAS-21

Description:

IP67 protective transport cap for Y-ConCover-10-* / Y-ConCover-40-*

IP67-Transportschutzabdeckung für Y-ConCover-10-* / Y-ConCover-40-*



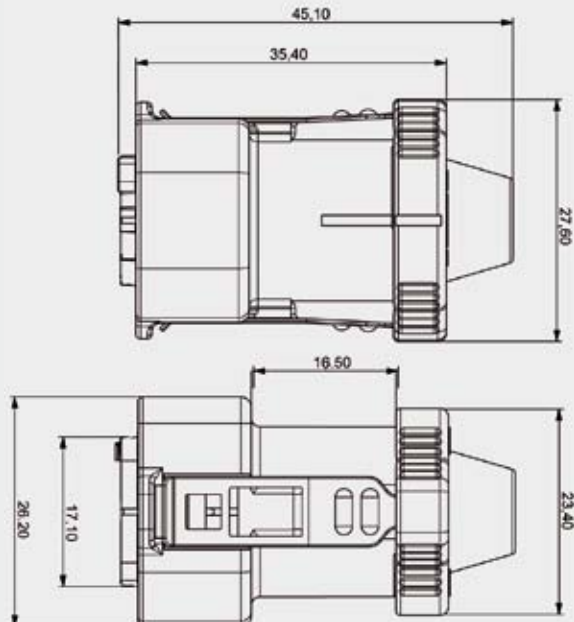
Material:

| | |
|-----------------|-------------------|
| Body Gehäuse | PE |
| Colour Farbe | Transparent white |

Specifications:

Operating Temp.: -20°C ~+80°C
Betriebstemp.

Outline Dimensions



IP67/68/69K Protected Components



Part Number (Details)

Y-ConCover - 40 - ** - E

Series

Design Number

No Mark = Std. LT = Low Temp

E = EMI Version

| Part Number | Low Temperature Type | EMI Spring |
|--------------------|----------------------|------------|
| Y-ConCover-40-E | No | Yes |
| Y-ConCover-40-LT-E | Yes | Yes |

Description:

IP67/68/69K metal cover EMI version for self-assembly with Y-Con plugs and cables, with Twist-Lock open and close mechanism, complete with latches, seals and terminator cap. Assembled EMI spring and additional EMI washer for improved EMI protection

IP67/68/69K-Metallgehäuse EMV (Twist-Lock) mit Schraubverschluss zur Selbstmontage mit Y-Con Kabelsteckern und Kabeln, komplett mit Rasthaken, Dichtungen und Abschlusskappe. Assemblierte EMV Feder plus zusätzliche EMV Scheibe für verbesserten EMV Schutz

Material:

| | |
|---------------------------|----------------------|
| Body Gehäuse | Die-cast zinc |
| Seal Dichtung | FKM (Viton®) or HNBR |
| Fixing clips Rasthaken | Stainless steel |
| EMI Spring EMV Feder | Phosphor Bronze |
| EMI Washer EMV Scheibe | Phosphor Bronze |

Specifications:

| | | |
|-----------------------------------|------|-----------------|
| Operating Temp.: Betriebstemp. | Std. | - 20°C ~ +120°C |
| | LT | - 40°C ~ +120°C |

Accessories

Part No.: Y-ConAS-21

Description:

IP67 protective transport cap for Y-ConCover-10-* / Y-ConCover-40-*

IP67-Transportschutzabdeckung für Y-ConCover-10-* / Y-ConCover-40-*



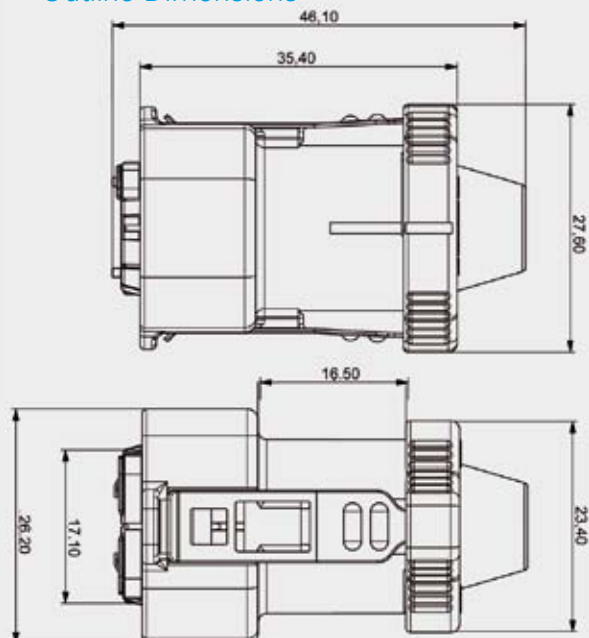
Material:

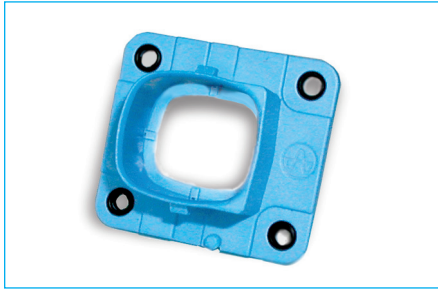
| | |
|-----------------|-------------------|
| Body Gehäuse | PE |
| Colour Farbe | Transparent white |

Specifications:

Operating Temp.: -20°C ~+80°C
Betriebstemp.

Outline Dimensions





Part Number (Details)

Y-ConFlange - 10 - *

Series

Design Number

No Mark = Blue B = Black

| Part Number | Colour |
|------------------|--------|
| Y-ConFlange-10 | Blue |
| Y-ConFlange-10-B | Black |

Description:

Universal **mounting flange** with an integrated 2C seal (also in the screw area) to ensure IP6* protection when mounted with Y-ConCover-10-* and Y-ConCover-40-*

Universeller Gehäuseflansch mit integrierter 2K-Dichtung (auch im Schraubbereich). Damit sind für Y-ConCover-10- und Y-ConCover-40-* im montierten Zustand die Schutzarten IP6* gewährleistet*

Material:

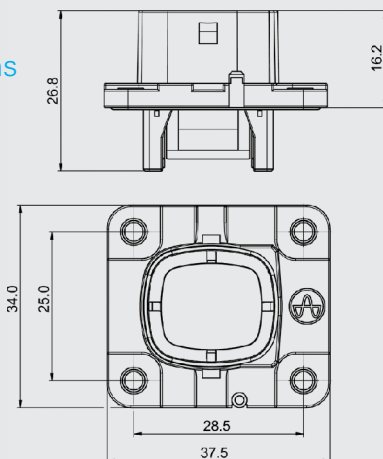
Flange Body PBT, UL94V-0
Flanschgehäuse

Flange Seal TPE, UL94 HB
Flanschdichtung

Specifications:

Operating Temp.: -40°C ~ +120°C
Betriebstemp.

Outline Dimensions

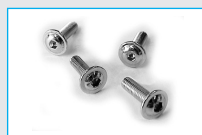


Accessories

Y-ConAS-25

Description:

Flange-head screws M3 Thread
Schrauben (M3-Gewinde)



Material: Steel

Accessories

Part No.: Y-ConAS-24

Part No.: Y-ConAS-24-LT ¹⁾

Description:

IP67/68 protective cover for Y-ConFlange-10-*

¹⁾ LT = Low temperature version with HNBR seal

*IP67-Schutzabdeckung für Y-ConFlange-10-**

Material:

Body PE
Gehäuse

Colour Transparent white
Farbe

Seal FKM (Viton®) or HNBR
Dichtung

Specifications:

Operating Temp.: Std. -20°C ~ +85°C
Betriebstemp. LT -40°C ~ +85°C



Accessories

Part No.: Y-ConFlange-Punch-1

Description:

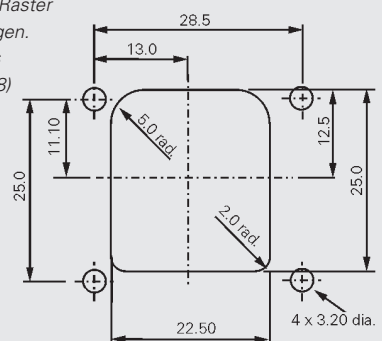
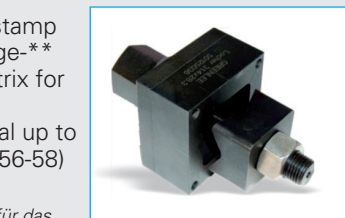
Manual punch to stamp out the Y-ConFlange-** panel cut with matrix for 4 screw holes. For V2A plate metal up to 2.0mm (Rockwell 56-58)

*Manueller Blechlocher für das Ausstanzen des Ausschnittes für Y-ConFlange-** mit Raster für 4 Schraubenbohrungen. Für V2A Metallblech bis 2,0 mm (Rockwell 56-58)*

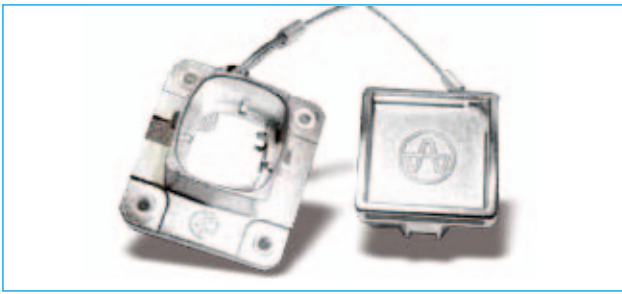
Material:

Colour Black-
Farbe

Panel Cut Dim. (incl. in Rittal Library)



IP67/68/69K Protected Components



Part Number (Details)

Y-ConFlange - 40 - *

Series

Design Number

No Mark = Std. C = With Cap

| Part Number | Protection Cap |
|------------------|----------------|
| Y-ConFlange-40 | No |
| Y-ConFlange-40-C | Yes |

Description:

Full metal mounting flange, with integrated seal (also in the screw area) to ensure IP6* protection when mounted with Y-ConCover-10-* and Y-ConCover-40-*. Also available with assembled IP6* protection cap

Vollmetal Gehäuseflansch mit integrierter Dichtung (auch im Schraubbereich). Damit sind für Y-ConCover-10-* und Y-ConCover-40-* im montierten Zustand die Schutzarten IP6* gewährleistet. Auch mit assembled IP6* Schutzkappe verfügbar

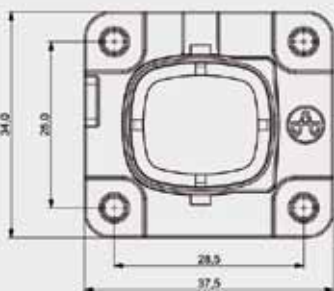
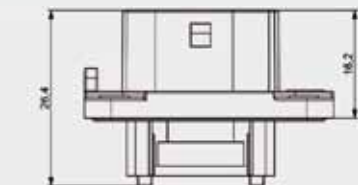
Material:

| | |
|--------------------------------|---------------------------------------|
| Flange Body Flanschgehäuse | Die-cast zinc |
| Flange Seal Flanschdichtung | HNBR |
| Protection Cap Schutzkappe | Die-cast Zinc |
| Seal Dichtung | HNBR |
| Wire Rope Draht | Steel / Aluminium (length = 180mm) |

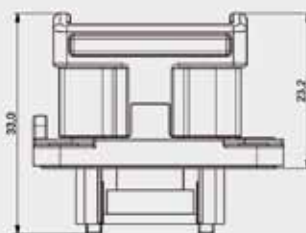
Specifications:

Operating Temp.: -40°C ~ +120°C
Betriebstemp.

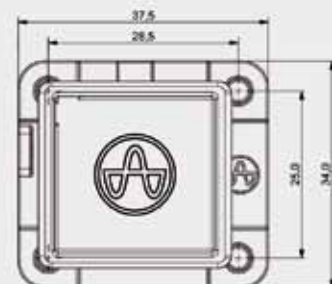
Outline Dimensions



Y-ConFlange-40



Protection cap (already assembled by wire rope)



Accessories

Part No.: Y-ConFlange-Punch-1

Description:

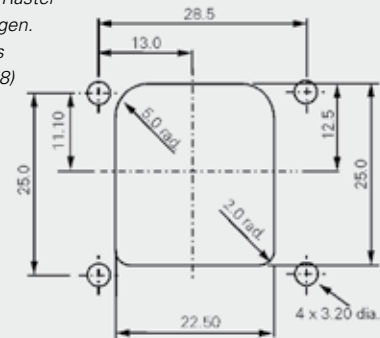
Manual punch to stamp out the Y-ConFlange-** panel cut with matrix for 4 screw holes.
For V2A plate metal up to 2.0mm (Rockwell 56-58)



Manueller Blechlocher für das Ausstanzen des Ausschnittes für Y-ConFlange-** mit Raster für 4 Schraubenbohrungen.
Für V2A Metallblech bis 2,0 mm (Rockwell 56-58)

Material: Steel
Colour: Black
Farbe

Panel Cut Dim.
(incl. in Rittal Library)



Accessories

Y-ConAS-25

Description:

Flange-head screws M3 Thread
Schrauben (M3-Gewinde)



Material: Steel



Part Number (Details)

Y-ConPlug - * 1

Series

Design Number

| Part Number | Signal Contacts | Power Contacts |
|--------------|-----------------|----------------|
| Y-ConPlug-11 | 4 (Ethernet) | 0 |
| Y-ConPlug-21 | 4 (Ethernet) | 2 |
| Y-ConPlug-31 | 6 | 2 |
| Y-ConPlug-41 | 8 | 0 |
| Y-ConPlug-51 | 8 | 2 |

Description:

RJ45 cable plug, Cat 5 with integrated cable guide, shielding and cable crimp preventing cable rotation. Ethernet/customised contact wiring, with or without power contacts

RJ45 Kabelstecker Cat 5 mit integrierter Kabelführung, Schirmung und Kabelcrimp, der das Verdrehen des Kabels verhindert. Ethernet/Kundenspezifische Kontaktverdrahtung mit oder ohne zusätzliche Kontakte für die Stromversorgung

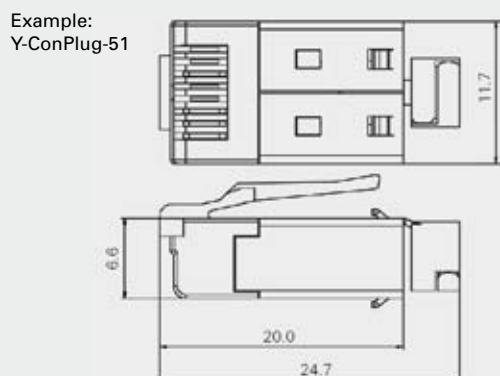
Material:

| | |
|-----------------------------|------------------------------|
| Plug body Steckergehäuse | PBT, UL94V-0 |
| Shielding Schirmung | Nickel plated brass |
| Contact Kontakte | Contact area 30µ" Au over Ni |

Specifications:

| | |
|------------------------------------|------------------------------|
| Operating Temp.: Betriebstemp. | -40°C ~ +120°C |
| Durability: Lebensdauer | 1,500 mechanical cycles |
| Current Rating: Bemessungsstrom | 2.1A @ 70°C (power contacts) |

Outline Dimensions



Accessories

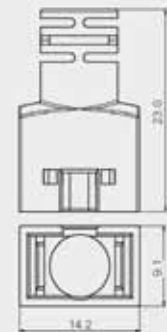
Part No.: Y-ConAS-11

Description:

IP20 strain relief for use with all Y-Con plugs. The cable cage allows for flexing with the cable



IP20-Zugentlastung für den Einsatz mit allen Y-Con Kabelsteckern. Die Manschette der Zugentlastung unterstützt die Biegeflexibilität des Kabels



Material: PA66

Specifications:

Operating Temp.: -20°C ~ +120°C
Betriebstemp.

Accessories

Part No.: Y-ConAS-12

IP20 protective transport cap for all Y-Con plugs.



IP20 Transportschutzabdeckung für alle Y-Con Kabelstecker.

Material: PE

Colour: Transparent white
Farbe

Specifications:

Operating Temp.: -20°C ~ +80°C
Betriebstemp.

IP20 Protected Components



Y-ConIP20Lock-10



Y-ConIP20Lock-20

Part Number (Details)

Y-ConIP20Lock - **

Series

10 = Standard Type
20 = With Locking Slider

| Part Number | Type |
|------------------|--------------------------------|
| Y-ConIP20Lock-10 | Standard |
| Y-ConIP20Lock-20 | With additional locking slider |

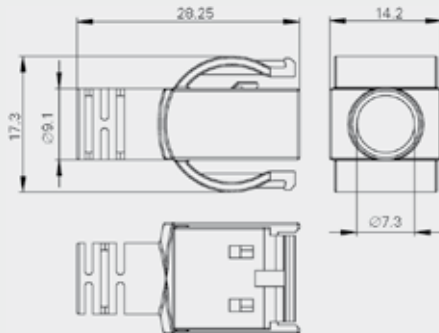
Description:

IP20 lock strain relief with vibration resistant locking clips. Also available with additional locking slider for increased mechanical retention. For use with all Y-Con plugs

IP20-Zugentlastung mit vibrationsstabilen Rasthaken.

Auch mit zusätzlichem Schiebeverschluss für verbesserte mechanische Rückhaltekraft verfügbar. Für den Einsatz mit allen Y-Con Kabelsteckern

Outline Dimensions:



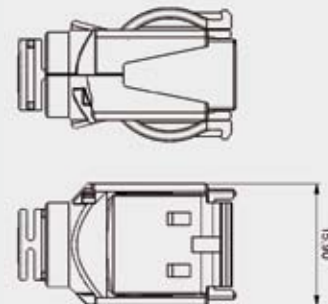
Y-ConIP20Lock-10

Material: PA66

Colour: Y-ConIP20Lock-10 (Black)
Farbe Y-ConIP20Lock-20 (Black & White)

Specifications:

Operating Temp.: -20°C ~ +120°C
Betriebstemp.



Y-ConIP20Lock-20



Part Number (Details)

Y-ConIP20HFR - *

Series

Number of Holding Frame

| Part Number | No. of Holding Frames |
|-----------------|-----------------------|
| Y-ConIP20HFR-10 | 1 |
| Y-ConIP20HFR-20 | 2 |
| Y-ConIP20HFR-40 | 4 |

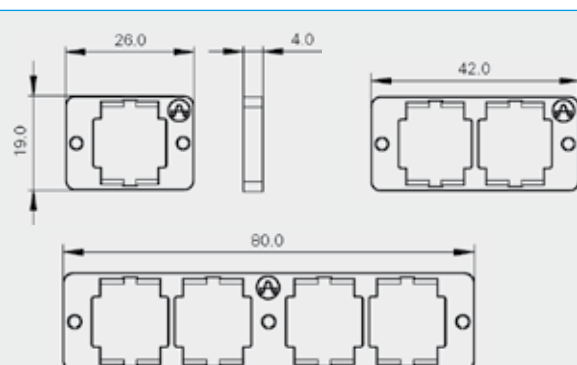
Description:

IP20 holding frames 1x, 2x or 4x format. For use with all RJ45 and USB IP20Lock products

IP20 Halterahmen in 1x, 2x oder 4x Ausführung zur Verwendung mit allen RJ45 und USB IP20Lock Produkten

Specifications: Material PA66 (Black)

Operating Temp.: -20°C ~ +120°C
Betriebstemp.





Part Number (Details)

Y-ConCover - 20

Series

Design Number

Description:

IP20 EMI metal cover against EMI interference, with integrated latch protection. For use with all Y-Con plugs

***IP20 EMV Metall Steckergehäuse** gegen elektromagnetische Beeinflussung, mit integriertem Verriegelungsschutz. Für den Einsatz mit allen Y-Con Kabelsteckern*

Material:

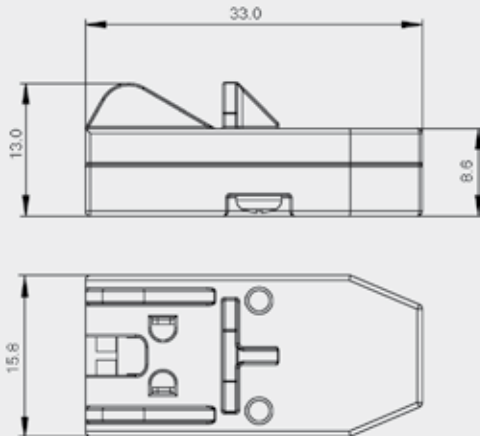
Cover Die-cast zinc
Gehäuse

Screw Steel
Schraube

Specifications:

Operating Temp.: -40°C ~ +80°C
Betriebstemp.

Outline Dimensions



Accessories

Part No.: Y-ConAS-12

IP20 protective transport cap for all Y-Con plugs

IP20 Transportschutzabdeckung für alle Y-Con Kabelstecker.



Material: PE

Colour.: Transparent white
Farbe

Specifications:

Operating Temp.: -20°C ~ +80°C
Betriebstemp.

IP20 Protected Components



Part Number Example

Y-ConC- R ** 2U - **** - **** - *



For Part number details: see page 12

For Holding frames: see page 9

Description:

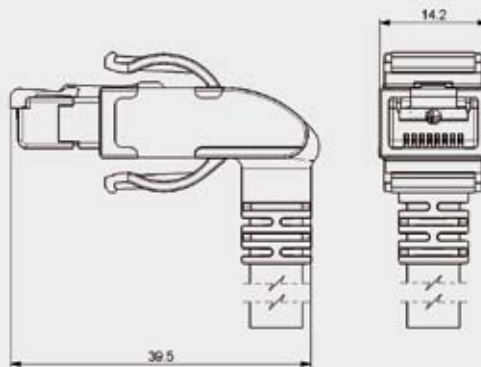
IP20Lock 90° molded cable assembly, with option for an additional colour coded locking slider for increased mechanical retention. Available with various Y-Con plug and cable combinations

IP20Lock 90° umspritzte Kabelkonfektion mit optionalem-zusätzlichem Schiebeverschluss (farbcodiert) für verbesserte mechanische Rückhaltekraft. Erhältlich in verschiedenen Y-Con Stecker- und Kabelkombinationen

Material: PA66

Specifications:

Operating Temp.: -20°C ~ +120°C
Betriebstemp.



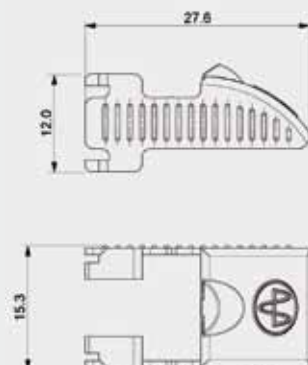
Part Number (Details)

Y-ConIP20Lock-Clip - *



| Part Number | Available Colours |
|----------------------|-------------------|
| Y-ConIP20Lock-Clip-1 | Red (R-030) |
| Y-ConIP20Lock-Clip-2 | Orange (OR-005) |
| Y-ConIP20Lock-Clip-3 | Yellow (GE-013) |
| Y-ConIP20Lock-Clip-4 | Green (GR-041) |
| Y-ConIP20Lock-Clip-5 | Blue (BL-012) |
| Y-ConIP20Lock-Clip-6 | Grey (G-038) |
| Y-ConIP20Lock-Clip-7 | White (W-040) |

Outline Dimensions



Description:

Colour coded locking slider for Y-ConC-R**2U-****-****-*

*Farbcodierter Schiebeverschluss für Y-ConC-R**2U-****-****-**

Material: PA66

Specifications:

Operating Temp.: -20°C ~ +120°C
Betriebstemp.

Part Number Example for RJ45 Cable Assemblies

| | | | | | | | | | | |
|--------|---|------------------------|------------------|---|------|-------------------------|---|--------------|---|-------------|
| Y-ConC | - | R40 | 6M | - | RJ | 2S | - | 2000 | - | A |
| Series | | RJ45 with 4+0 contacts | IP67 metal cover | | RJ45 | IP20 with strain relief | | Length in mm | | Wiring Plan |

Part Number (Details)

| | | | | | | | | | | |
|---|---|-----|----|---|----|----|---|------|---|---|
| Y-ConC | - | *** | ** | - | ** | ** | - | **** | - | * |
| Series | | | | | | | | | | |
| Interface side 1 | | | | | | | | | | |
| R40 = RJ45, 4+0 contacts R42 = RJ45, 4+2 contacts R60 = RJ45, 6+0 contacts R62 = RJ45, 6+2 contacts R80 = RJ45, 8+0 contacts R82 = RJ45, 8+2 contacts | | | | | | | | | | |
| Protection side 1 | | | | | | | | | | |
| 6P = IP67 plastic cover 6M = IP67 metal cover 2S = IP20 strain relief 2L = IP20Lock strain relief 2U = IP20Lock 90° molded 2M = IP20 metal cover CU = customer specific | | | | | | | | | | |
| Interface side 2 | | | | | | | | | | |
| RJ = RJ45 CU = customer specific FE = free end (cut only) | | | | | | | | | | |
| Protection side 2 | | | | | | | | | | |
| 6P = IP67 plastic cover 6M = IP metal cover 2S = IP20 strain relief 2L = IP20Lock strain relief 2U = IP20Lock 90° moulded 2M = IP20 metal cover CU = customer specific | | | | | | | | | | |
| Length in mm | | | | | | | | | | |
| Wiring Plan A = T568A 1:1, B = T568A crossover, C = T568B 1:1, D = T568B crossover, F = Custom | | | | | | | | | | |

Possible Cover Variations



IP6* plastic cover



IP6* metal cover



IP20 strain relief



Y-ConPlug-**
for all these
Y-Con covers



IP20Lock strain relief



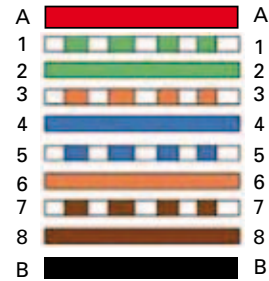
IP20Lock 90° molded



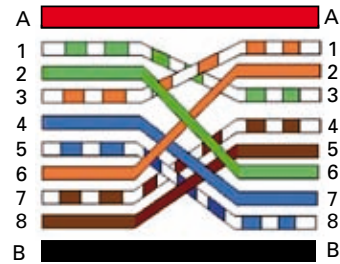
IP20 metal cover

Possible Wiring Diagrams

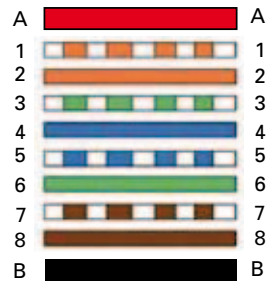
T568A 1 : 1



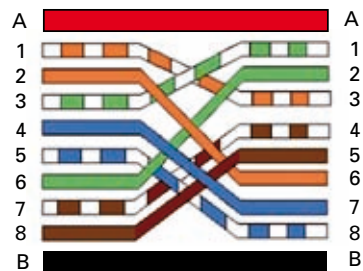
T568A Crossover



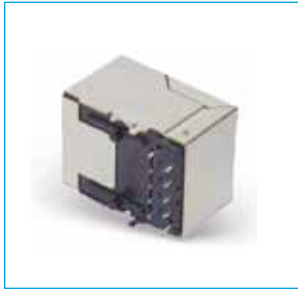
T568B 1 : 1



T568B Crossover



Note: Y-ConPlug-11, -12 and -31 use only signal contacts 1, 2, 3 & 6.
A and B are optional power contacts



Part Number (Details)

Y-ConJack

- * * - *

Series

Power Contacts 1 = without 2 = with

1 = 90° 2 = 180°

See remarks in table below

| Part Number | Signal Contacts | Power Contacts | Orientation | Remarks |
|-------------------|-----------------|----------------|-------------|--------------------|
| Y-ConJack-11 | 8 | 0 | 90° | PCB-Lock |
| Y-ConJack-21 | 8 | 2 | 90° | PCB-Lock |
| Y-ConJack-21-PP | 8 | 2 | 90° | Positioning pins |
| Y-ConJack-12 | 8 | 0 | 180° | Positioning pins |
| Y-ConJack-22-THR | 8 | 2 | 180° | for THR soldering |
| Y-ConJack-22-WAVE | 8 | 2 | 180° | for Wave soldering |

Description:

RJ45 jack 90° and 180°, Cat 5, with improved shielding. Available with additional power contacts. For use with all Y-Con plugs

***RJ45 Buchse** 90° und 180°, Cat 5, mit verbesserter Schirmung. Auch mit zusätzlichen Kontakten für die Stromversorgung verfügbar. Für den Einsatz mit allen Y-Con Kabelsteckern*

Material:

Jack body PA, UL94V-0
Isolierkörper

Shielding Nickel plated brass
Schirmung

Contact Contact area 30µ" Au/50µ" Ni
Kontakte Solder area 80µ" Sn/50µ" Ni

Specifications:

Operating Temp.: -40°C ~ +120°C
Betriebstemp.

Solder Temp: Reflow max. 260°C / 10sec.
Löttemp. Wave min. 235°C / 3 sec.
(only for Y-ConJack-21-PP and Y-ConJack-22- WAVE)

Durability: 1,500 mechanical cycles
Lebensdauer

Current Rating: 2.1A @ 70°C (power contacts)
Bemessungsstrom

Accessories

Part No.: Y-ConAS-13

Description:

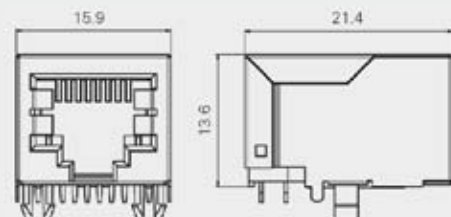
IP20 dummy plug for all RJ45 jacks



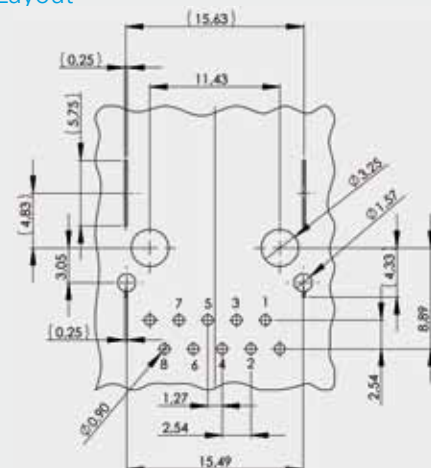
IP20 Dummy-Stecker für alle RJ45 Buchsen

Outline Dimensions

Y-ConJack-11

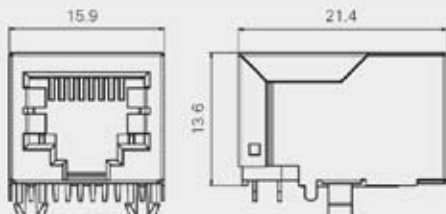


PCB Layout

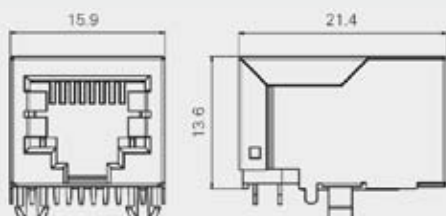


Outline Dimensions

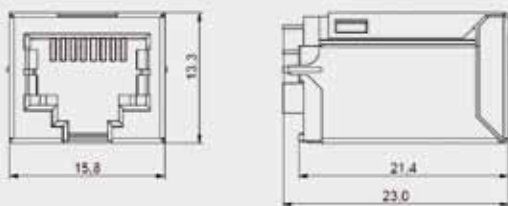
Y-ConJack-21



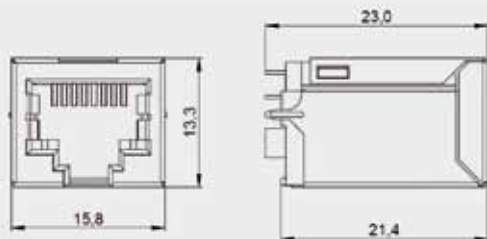
Y-ConJack-21-PP



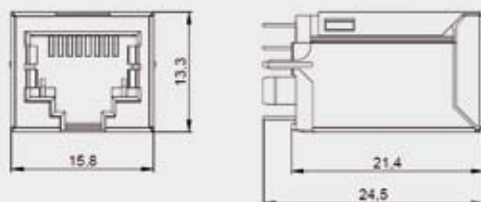
Y-ConJack-12



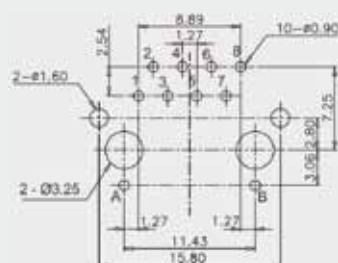
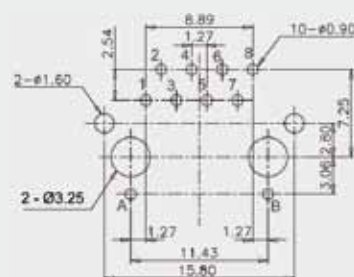
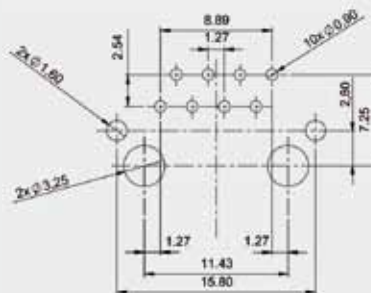
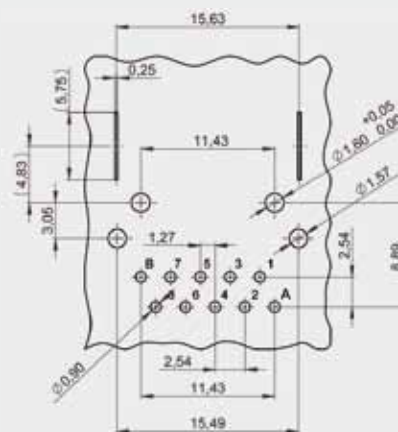
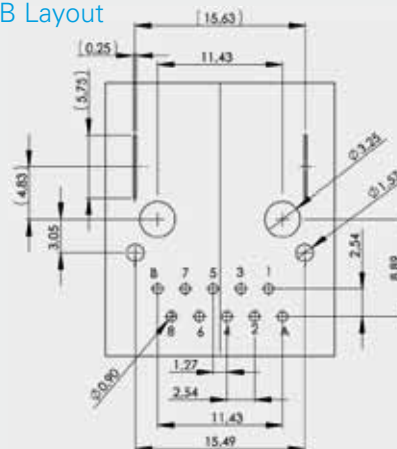
Y-ConJack-22-THR



Y-ConJack-22-WAVE



PCB Layout





Part Number (Details)

Y-ConJack - 3 *

Series

3 = 90°

See table below

| Part Number | Signal Contacts | Power Contacts | Orientation | Magnetics | Light Pipes |
|--------------|-----------------|----------------|-------------|-----------|-------------|
| Y-ConJack-31 | 8 | 2 | 90° | Yes | Yes |
| Y-ConJack-32 | 8 | 2 | 90° | Yes | No |
| Y-ConJack-33 | 8 | 2 | 90° | No | Yes |
| Y-ConJack-34 | 8 | 2 | 90° | No | No |
| Y-ConJack-35 | 8 | 0 | 90° | Yes | Yes |
| Y-ConJack-36 | 8 | 0 | 90° | Yes | No |

Description:

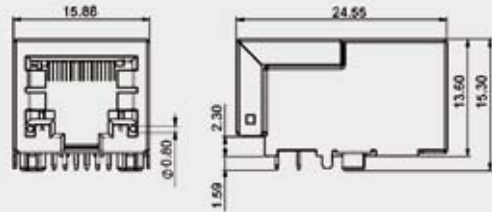
RJ45 jack 90° with magnetics and light pipes.

For THR soldering. Also available with power contacts. For different combinations please see table above. Light pipes enable the usage of the same jack even for different LED colours. For use with all Y-Con plugs

RJ45-Buchse 90° mit Magnetic-Baustein und Lichtleiter für THR-Verlötung. Auch mit zusätzlichen Kontakten für die Stromversorgung. Verschiedene Kombinationsmöglichkeiten siehe lt. Tabelle. Lichtleiter ermöglicht die Verwendung der identischen Buchse für verschiedenfarbige LEDs.

Outline Dimensions

Y-ConJack-31



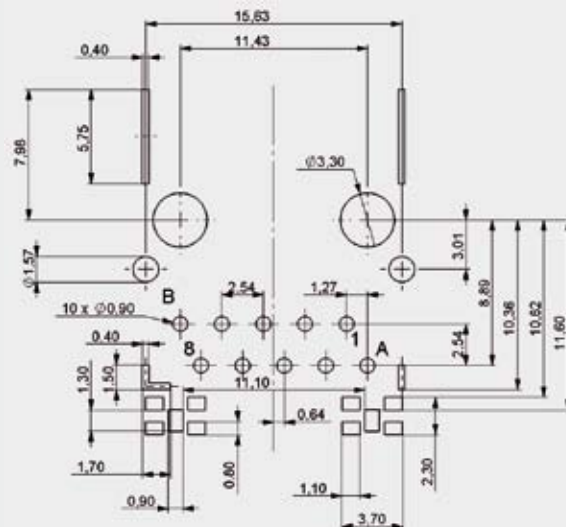
Material:

Jack body PA, UL94V-0
Isolierkörper

Shielding Nickel plated brass
Schirmung

Contact Contact area 30µ" Au/50µ" Ni
Kontakte Solder area 80µ" Sn/50µ" Ni

PCB Layout



Specifications:

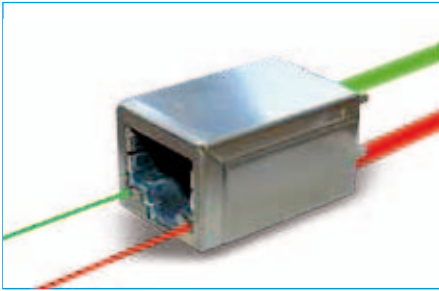
Oper. Temp.: -40°C ~ +120°C
Betriebstemp.

Solder Temp: Reflow max. 260°C / 10sec.
Löttemp.

Durability: 1,500 mechanical cycles
Lebensdauer

Current Rating: 2.1A @ 70°C (power contacts)
Bemessungsstrom

Industrial RJ45 Jacks



Part Number (Details)

Y-ConJack - 5 *

Series

5 = 180°

See table below

| Part Number | Signal Contacts | Power Contacts | Orientation | Magnetics | Light Pipes |
|--------------|-----------------|----------------|-------------|-----------|-------------|
| Y-ConJack-51 | 8 | 2 | 180° | Yes | Yes |
| Y-ConJack-52 | 8 | 2 | 180° | Yes | No |
| Y-ConJack-53 | 8 | 2 | 180° | No | Yes |
| Y-ConJack-54 | 8 | 2 | 180° | No | No |
| Y-ConJack-55 | 8 | 0 | 180° | Yes | Yes |
| Y-ConJack-56 | 8 | 0 | 180° | Yes | No |

Description:

RJ45 jack 180° with magnetics and light pipes.

For THR soldering. Also available with power contacts. For different combinations please see table above. Light pipes enable the usage of the same jack even for different LED colours. For use with all Y-Con plugs

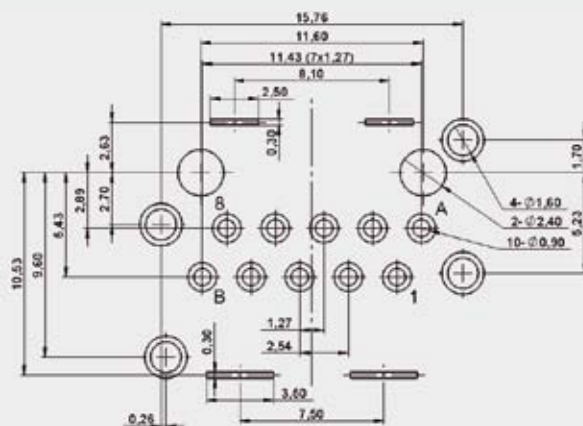
RJ45-Buchse 180° mit Magnetic-Baustein und Lichtleiter für THR-Verlötung. Auch mit zusätzlichen Kontakten für die Stromversorgung. Verschiedene Kombinationsmöglichkeiten siehe lt. Tabelle. Lichtleiter ermöglicht die Verwendung der identischen Buchse für verschiedenfarbige LEDs.

Outline Dimensions

Y-ConJack-51



PCB Layout



Material:

Jack body
Isolierkörper PA, UL94V-0

Shielding
Schirmung Nickel plated brass

Contact
Kontakte Contact area 30µ" Au/50µ" Ni
Solder area 80µ" Sn/50µ" Ni

Specifications:

Oper. Temp.: -40°C ~ +120°C
Betriebstemp.

Solder Temp.: Reflow max. 260°C / 10sec.
Löttemp.

Durability: 1,500 mechanical cycles
Lebensdauer

Current Rating: 2.1A @ 70°C (power contacts)
Bemessungsstrom



Part Number (Details)

Y-ConJack - * 1 - 3C - *

Series

Power Contacts 1 = without 2 = with

1 = 90°

3C = EMI version * = Shielding (see table below)

| Part Number | Signal Contacts | Power Contacts | Orientation | Shielding Orientation |
|-------------------|-----------------|----------------|-------------|-----------------------|
| Y-ConJack-11-3C-1 | 8 | 0 | 90° | left |
| Y-ConJack-11-3C-2 | 8 | 0 | 90° | top |
| Y-ConJack-11-3C-3 | 8 | 0 | 90° | right |
| Y-ConJack-11-3C-4 | 8 | 0 | 90° | left + top |
| Y-ConJack-11-3C-5 | 8 | 0 | 90° | right + top |
| Y-ConJack-11-3C-6 | 8 | 0 | 90° | right + left |
| Y-ConJack-11-3C-7 | 8 | 0 | 90° | left + top + right |
| Y-ConJack-21-3C-1 | 8 | 2 | 90° | left |
| Y-ConJack-21-3C-2 | 8 | 2 | 90° | top |
| Y-ConJack-21-3C-3 | 8 | 2 | 90° | right |
| Y-ConJack-21-3C-4 | 8 | 2 | 90° | left + top |
| Y-ConJack-21-3C-5 | 8 | 2 | 90° | right + top |
| Y-ConJack-21-3C-6 | 8 | 2 | 90° | right + left |
| Y-ConJack-21-3C-7 | 8 | 2 | 90° | left + top + right |

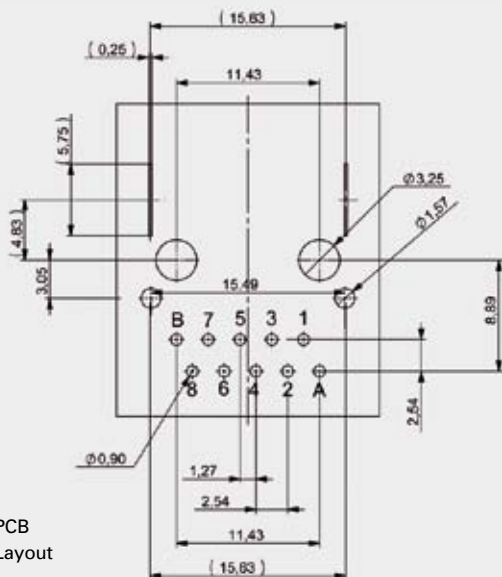
Description:

RJ45 EMI jack, Cat 5, 90° for THR soldering.
Available also with power contacts. Additional shield clips for improved EMI performance.
For use with all Y-Con plugs

RJ45 EMV Buchse Cat 5, 90° für THR-Verlötung.
Auch mit Kontakten für die Stromversorgung. Zusätzliche Schirmfedern verbessern die EMV Eigenschaften.
Für den Einsatz mit allen Y-Con Kabelsteckern

Outline Dimensions / PCB Layout

Example Y-ConJack-21-3C-7



Material:

Jack body PA, UL94V-0
Isolierkörper

Shielding Nickel plated brass
Shield Clips Stainless Steel
Schirmung

Contact Contact area 30µ" Au/50µ" Ni
Kontakte Solder area 80µ" Sn/50µ" Ni

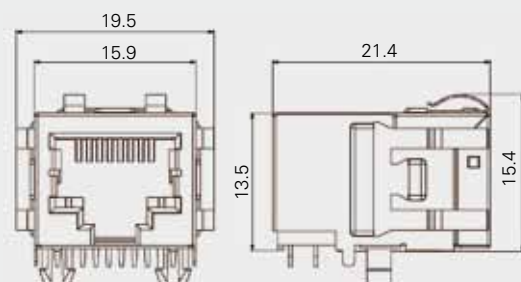
Specifications:

Oper. Temp.: -40°C ~ +120°C
Betriebstemp.

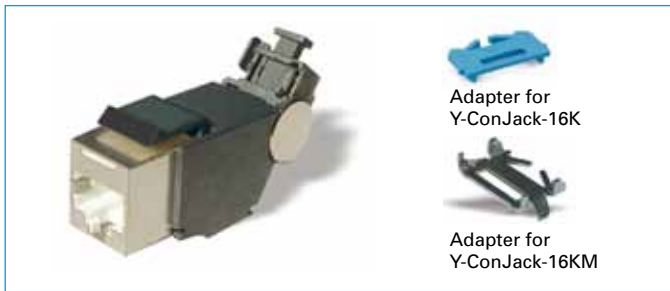
Solder Temp: Reflow max. 260°C / 10sec.
Löttemp.

Durability: 1,500 mechanical cycles
Lebensdauer

Current Rating: 2.1A @ 70°C (power contacts)
Bemessungsstrom



Industrial RJ45 Jacks



Part Number (Details)

Y-ConJack - 16 K M

Series

Design Number

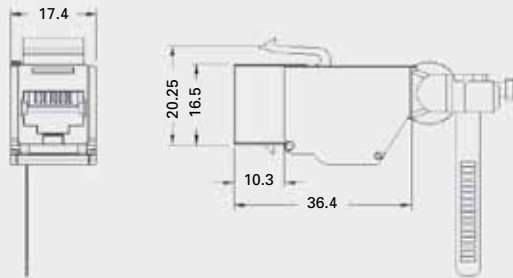
K = for use with Y-ConFlange-10-* only

KM = for use with Y-ConFlange-40-* only

Description:

RJ45, Cat 6, shielded Keystone jack 8 pin tool free. (Cat 6 i.a.w. ANSI / TIA / EIA 568-B.2-1) For AWG 24-26 (insulation Ø1.0 - 1.6mm). For use with Y-ConFlange-10-* or Y-ConFlange-40-*

RJ45, Cat 6, geschirmte Buchse 8-polig, werkzeuglos. (Cat 6 nach ANSI / TIA / EIA 568-B.2-1). Für AWG 24-26 (Isolation Ø1.0 - 1.6mm). Für den Einsatz mit Y-ConFlange-10-* oder Y-ConFlange-40-*



Material

Jack body Die-cast zinc
RJ45 body PA46
Isolierkörper

RJ45 shield Tin Plated Brass
Schirmung

RJ45 contact 40µ" Au/CuBe
IDC contact CuZn37
Kontakte

Specifications:

Operating Temp.: -40°C ~ +80°C
Betriebstemp.

Durability: 750 mechanical cycles
Lebensdauer



Part Number (Details)

Y-ConJack - 16 M

Series

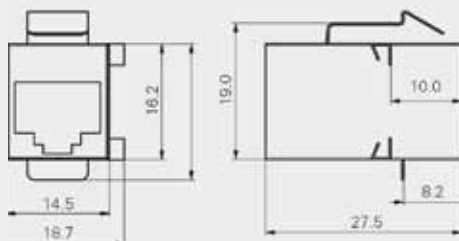
16 = for use with Y-ConFlange-10-* only

M = for use with Y-ConFlange-40-* only

Description:

RJ45 180° coupler jack, Cat 5, with 8 pin 1:1 wiring, (including flange adapter and locking clip). For use with Y-ConFlange-10-* or Y-ConFlange-40-*

RJ45 180°-Verbindungsbuchse, Cat 5, mit 8-poliger 1:1-Verdrahtung (inklusive Flansch-Adapter und Stopper-Keil). Für den Einsatz mit Y-ConFlange-10-* oder Y-ConFlange-40-*



Material

Jack body PBT, UL94V-0
Isolierkörper

Shielding Stainless Steel
Schirmung

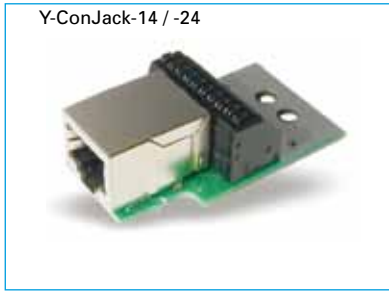
Contact Contact area Au/Ni
Kontakte

Adapter / Locking Clip PBT, UL94V-0
PA, UL94V-0

Specifications:

Operating Temp.: -20°C ~ +80°C
Betriebstemp.

Durability: 750 mechanical cycles
Lebensdauer



Part Number (Details)

Y-ConJack - * *

Series

Power Contacts 1 = w/o. 2 = with

Design Number

| Part Number | Signal Contacts | Power Contacts | Orientation | PCB |
|--------------|-----------------|----------------|-------------|------------------|
| Y-ConJack-13 | 8 | 0 | 90° | with solder pads |
| Y-ConJack-23 | 8 | 2 | 90° | with solder pads |
| Y-ConJack-14 | 8 | 0 | 90° | with terminals |
| Y-ConJack-24 | 8 | 2 | 90° | with terminals |

Description:

RJ45 PCB mounted jacks, Cat 5, with or without power contacts. For use with Y-ConFlange-10-*, Y-ConFlange-40-* and all Y-Con plugs

RJ45 Buchse auf PCB, Cat 5, mit oder ohne zusätzliche Kontakte für die Stromversorgung. Für den Einsatz mit Y-ConFlange-10-*, Y-ConFlange-40-* und allen Y-Con Kabelsteckern

Material:

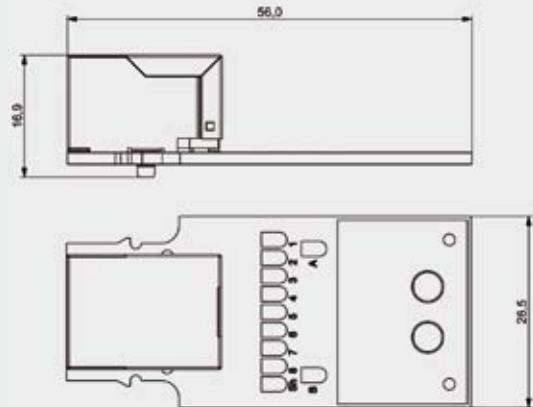
| | |
|-----------------------------------|------------------------------|
| Jack body <i>Isolierkörper</i> | PA, UL94V-0 |
| Shielding <i>Schirmung</i> | Nickel plated brass |
| Contact <i>Kontakte</i> | Contact area 30µ" Au/50µ" Ni |
| PCB | FR4, UL94V-0 |

Specifications:

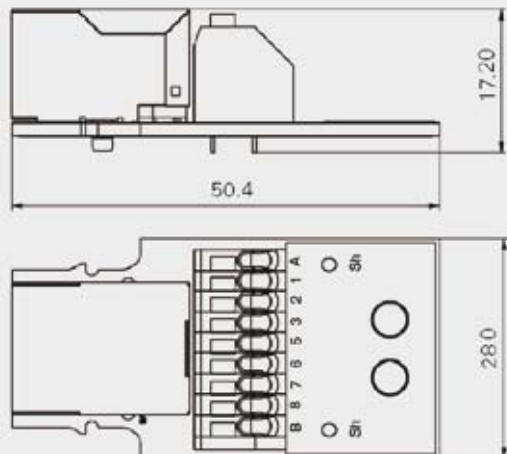
| | |
|---|------------------------------|
| Oper. Temp.: <i>Betriebstemp.</i> | -40°C ~ +120°C |
| Durability: <i>Lebensdauer</i> | 1,500 mechanical cycles |
| Current Rating: <i>Bemessungsstrom</i> | 2.1A @ 70°C (power contacts) |

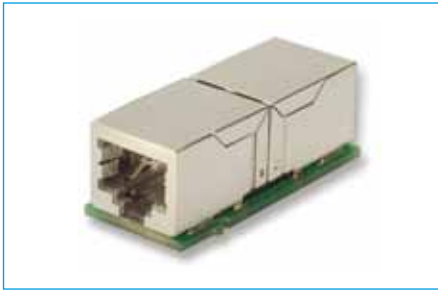
Outline Dimensions

Y-ConJack-13 / -23



Y-ConJack-14 / -24





Part Number (Details)

Y-ConJack - * *

Series

Power Contacts 1 = without 2 = with

Design Number

| Part Number | Signal Contacts | Power Contacts | Orientation | PCB |
|--------------|-----------------|----------------|-------------|---------------------------------|
| Y-ConJack-15 | 4 | 0 | 90° | Coupler Jack (wiring crossover) |
| Y-ConJack-25 | 4 | 2 | 90° | Coupler Jack (wiring crossover) |

Description:

RJ45 coupler jacks PCB mounted, Cat 5, with 4 pin crossover wiring, with or without power contacts. For use with Y-ConFlange-10-*, Y-ConFlange-40-* and all Y-Con plugs

RJ45 Verbindungsbuchse auf PCB, Cat 5, mit 4-poliger Crossover-Verdrahtung, mit oder ohne zusätzliche Kontakte für die Stromversorgung. Für den Einsatz mit Y-ConFlange-10-*, Y-ConFlange-40-* und allen Y-Con Kabelsteckern

Material:

| | |
|-----------------------------------|------------------------------|
| Jack body <i>Isolierkörper</i> | PA, UL94V-0 |
| Shielding <i>Schirmung</i> | Nickel plated brass |
| Contact <i>Kontakte</i> | Contact Area 30µ" Au/50µ" Ni |
| PCB | FR4, UL94V-0 |

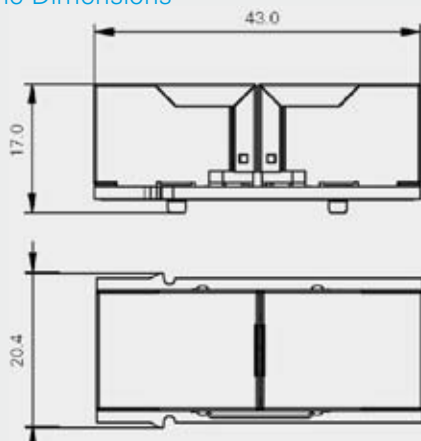
Specifications:

Oper. Temp.: -40°C ~ +120°C
Betriebstemp.

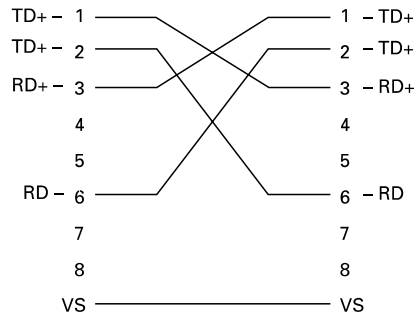
Durability: 1,500 mechanical cycles
Lebensdauer

Current Rating: 2.1A @ 70°C (power contacts)
Bemessungsstrom

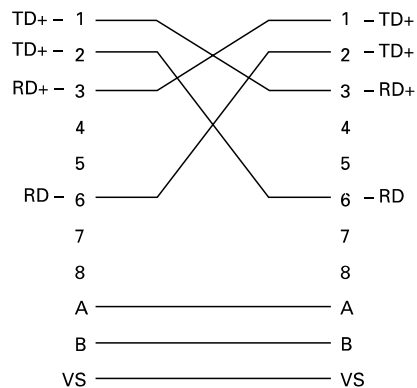
Outline Dimensions

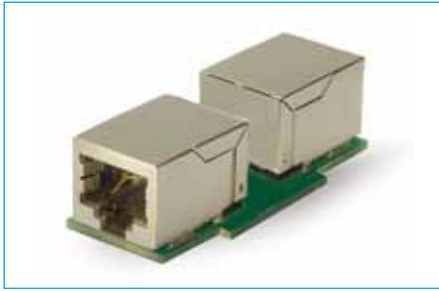


Wiring Diagram for Y-ConJack-15



Wiring Diagram for Y-ConJack-25





Part Number (Details)

Y-ConJack - 2 *C

| | |
|---------------------|--|
| Series | |
| With Power Contacts | |
| Design Number | |

| Part Number | Signal Contacts | Power Contacts | Orientation | PCB |
|---------------|-----------------|----------------|-------------|---------------------------------|
| Y-ConJack-25C | 4 | 2 | 90° | Coupler Jack (wiring crossover) |
| Y-ConJack-26C | 8 | 2 | 90° | Coupler Jack (wiring 1: 1) |

Description:

RJ45 coupler jacks PCB mounted Cat 5.
With power contacts and crossover or 1:1 wiring.
For use with Y-ConCoupler-10-*

*RJ45 Verbindungsbuchse auf PCB, Cat 5, Crossover oder 1 : 1 Vedrahtung. Mit zusätzlichen Kontakten für die Stromversorgung. Für den Einsatz mit Y-ConCoupler-10-**

Material:

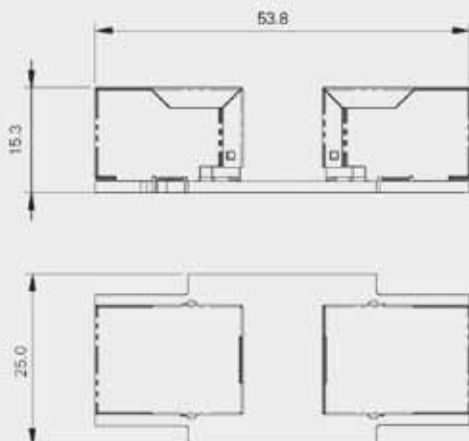
| | |
|-----------------------------------|------------------------------|
| Jack body <i>Isolierkörper</i> | PA, UL94V-0 |
| Shielding <i>Schirmung</i> | Nickel plated brass |
| Contact <i>Kontakte</i> | Contact Area 30µ" Au/50µ" Ni |
| PCB | FR4, UL94V-0 |

Specifications:

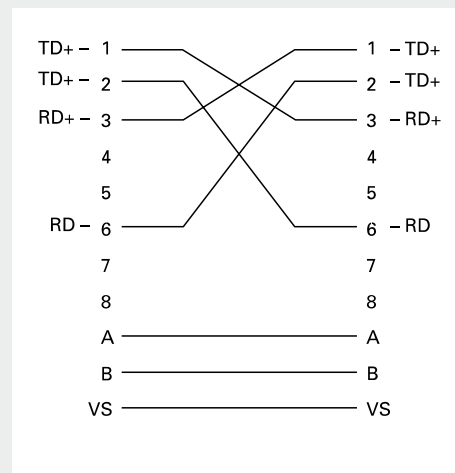
Oper. Temp.: -40°C ~ +120°C
Betriebstemp.

Durability: 1,500 mechanical cycles
Lebensdauer
Current Rating: 2.1A @ 70°C (power contacts)
Bemessungsstrom

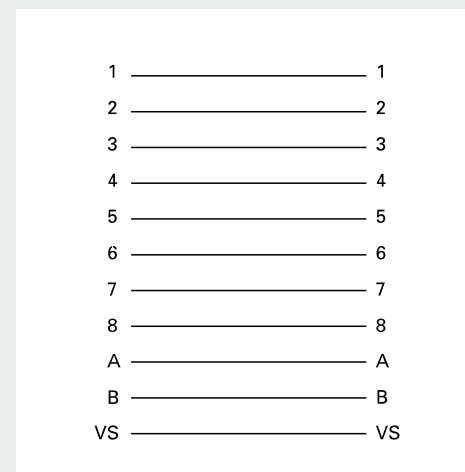
Outline Dimensions Y-ConJack-25C / -26C



Wiring Diagram for Y-ConJack-25C



Wiring Diagram for Y-ConJack-26C



Part Number Y-ConTool-11

Description:

1-step crimp tool for all Y-Con RJ45 plugs.
Crimps all contacts and fixes the square crimp in one action

*Einstufige Crimpzange für alle Y-Con RJ45 Stecker.
Crimpt alle Kontakte und die quadratische
Zugentlastung in einem Arbeitsgang*



Part Number Y-ConTool-20

Description:

Cable stripping tool with adjustable blades

*Abisolierwerkzeug für die Kabelummantelung
mit verstellbaren Klingen*



Part Number Y-ConTool-30

Description:

Cable-to-Plug assembly tool

Hilfswerkzeug für die Steckermontage



For assembly instructions please see our web site under:

⇒ Products - Y-Con Industrial Series - Assembly Instructions
(including films and the PDF file www.yamaichi.de/fdhtml/442_fdhtml/crimptool11.pdf)

Montageanleitungen stehen auf unserer Website zur Verfügung unter:

⇒ Products - Y-Con Industrial Series - Assembly Instructions
(mit Filmen sowie der PDF-Datei www.yamaichi.de/fdhtml/442_fdhtml/crimptool11.pdf)

Description:

100 Mbit, Cat 5 (Cat 5e), digital signal cable.
Silicon and CFC free

100 Mbps, Cat 5 (Cat 5e), Kabel für digitale Signale.
Silikon- und FCKW frei

Part Number (Details)

Y-ConCable - *

Series

See table below



Part Number Y-ConCable-1

Suitable for Y-ConPlug-21

| Signal | Power | Jacket | Temp. | Cable OD | Cable Chain | Bending Radius | Bending Cycles |
|---------------------------------|----------------------------------|--------|---------------|----------|-------------|----------------------|----------------|
| 2 x 2 | 2 | PVC | -20°C ~ +80°C | 6.9mm | No | 125mm multiple turns | max. 100,000 |
| AWG 24/7 0.22mm ² | AWG 22/19 0.38mm ² | Green | | (+0.1) | | 35mm single turn | |



Part Number Y-ConCable-2

Suitable for Y-ConPlug-11

| Signal | Power | Jacket | Temp. | Cable OD | Cable Chain | Bending Radius | Bending Cycles |
|---------------------------------|-------|--------|---------------|-----------|-------------|-----------------------|----------------|
| 2 x 2 | 0 | PVC | -20°C ~ +80°C | 6.85mm | No | min. 50mm single turn | - |
| AWG 24/7 0.22mm ² | | Grey | | (+/-0.15) | | | |



Part Number Y-ConCable-3

Suitable for Y-ConPlug-21

| Signal | Power | Jacket | Temp. | Cable OD | Cable Chain | Bending Radius | Bending Cycles |
|---------------------------------|---------------------------------|--------|---------------|----------|-------------|---------------------|----------------|
| 2 x 2 | 2 | PUR | -20°C ~ +80°C | 6.8mm | Yes | 70mm multiple turns | max. 1 million |
| AWG 26/7 0.14mm ² | AWG 22/7 0.34mm ² | Green | | (+0.2) | | 35mm single turn | |



Part Number Y-ConCable-4

Suitable for Y-ConPlug-41

| Signal | Power | Jacket | Temp. | Cable OD | Cable Chain | Bending Radius | Bending Cycles |
|---------------------------------|-------|--------|---------------|---------------|-------------|----------------|----------------|
| 4 x 2 | 0 | PUR | -20°C ~ +70°C | 6.8mm | Yes | 68mm | max. 1 million |
| AWG 26/7 0.14mm ² | | Green | | (+0.1/-0.3mm) | | | |



Part Number Y-ConCable-7

for ProfiNet

Suitable for Y-ConPlug-15

| Signal | Power | Jacket | Temp. | Cable OD | Cable Chain | Bending Radius | Bending Cycles |
|---------------------------------|-------|--------|---------------|----------|-------------|----------------------|------------------|
| 4 * | 0 | PUR | -20°C ~ +80°C | 6.8mm | Yes | 102mm multiple turns | max. 2.5 million |
| AWG 22/7 0.34mm ² | | Green | | (+0.2) | | | |



Part Number Y-ConCable-10

Suitable for Y-ConPlug-51

| Signal | Power | Jacket | Temp. | Cable OD | Cable Chain | Bending Radius | Bending Cycles |
|---------------------------------|----------------------------------|--------|---------------|----------|-------------|---------------------|----------------|
| 4 x 2 | 2 | PUR | -20°C ~ +70°C | 6.9mm | Yes | 70mm multiple turns | max. 1 million |
| AWG 26/7 0.14mm ² | AWG 23/19 0.25mm ² | Green | | (+0.1) | | | |

| Conductor Resistance | Insulation Resistance | Dielectric Strength | Capacitance | Characteristic Impedance | Near-end Crosstalk | Flame Resistance | Halogen Free |
|--|---|---------------------|-------------|--------------------------|--------------------|------------------|--------------|
| Data $\leq 90\Omega \times \text{km}$ | $\geq 1\text{G}\Omega \times \text{km}$ | 500V / 50Hz | 50nF / km | 100 +/- 15 Ω | 100Mhz | IEC 332-1 | No |
| Power $\leq 55\Omega \times \text{km}$ | | for 1 min | at 800Hz | at 1Mhz to 100Mhz | > 32dB / 100m | | |

| Conductor Resistance | Insulation Resistance | Dielectric Strength | Capacitance | Characteristic Impedance | Near-end Crosstalk | Flame Resistance | Halogen Free |
|---------------------------------------|---|---------------------|-------------|--------------------------|--------------------|------------------|--------------|
| Data $\leq 90\Omega \times \text{km}$ | $\geq 1\text{G}\Omega \times \text{km}$ | 500V / 50Hz | 50nF / km | 100 +/- 15 Ω | 100Mhz | IEC 332-1 | No |
| | | for 1 min | at 800Hz | at 1Mhz to 100Mhz | > 32dB / 100m | | |

| Conductor Resistance | Insulation Resistance | Dielectric Strength | Capacitance | Characteristic Impedance | Near-end Crosstalk | Flame Resistance | Halogen Free |
|--|---|---------------------|-------------|--------------------------|--------------------|------------------|--------------|
| Data $\leq 140\Omega \times \text{km}$ | $\geq 1\text{G}\Omega \times \text{km}$ | 500V / 50Hz | 50nF / km | 100 +/- 15 Ω | 100Mhz | IEC 332-1 | Yes |
| Power $\leq 62\Omega \times \text{km}$ | | for 1 min | at 800Hz | at 1Mhz to 100Mhz | > 32dB / 100m | | |

| Conductor Resistance | Insulation Resistance | Dielectric Strength | Capacitance | Characteristic Impedance | Near-end Crosstalk | Flame Resistance | Halogen Free |
|--|---|---------------------|-------------|--------------------------|--------------------|------------------|--------------|
| Data $\leq 140\Omega \times \text{km}$ | $\geq 140\text{M}\Omega \times \text{km}$ | 700V / 50Hz | 48nF / km | 100 +/- 15 Ω | 100Mhz | UL- Style 20963 | Yes |
| | | for 1 min | at 1,000Hz | at 1Mhz to 100Mhz | > 32dB / 100m | | |

| Conductor Resistance | Insulation Resistance | Dielectric Strength | Capacitance | Characteristic Impedance | Near-end Crosstalk | Flame Resistance | Halogen Free |
|---------------------------------------|---|---------------------|-------------|--------------------------|--------------------|------------------|--------------|
| Data $\leq 60\Omega \times \text{km}$ | $\geq 500\text{M}\Omega \times \text{km}$ | 2,000V / 50Hz | 53nF / km | 100 +/- 15 Ω | 100Mhz | UL- Style 20963 | Yes |
| | | for 1 min | at 800Hz | at 1Mhz to 100Mhz | > 50dB / 100m | | |

| Conductor Resistance | Insulation Resistance | Dielectric Strength | Capacitance | Characteristic Impedance | Near-end Crosstalk | Flame resistance | Halogen Free |
|--|---|---------------------|-------------|--------------------------|--------------------|------------------|--------------|
| Data $\leq 140\Omega \times \text{km}$ | $\geq 150\text{M}\Omega \times \text{km}$ | 1,000V / 50Hz | 48nF / km | 100 +/- 15 Ω | 100Mhz | UL- Style 20963 | Yes |
| Power $\leq 75\Omega \times \text{km}$ | | for 1 min | at 1,000Hz | at 1Mhz to 100Mhz | > 35dB / 100m | | |

IP67 / 68 / 69K Field Kits



Description:

IP67/68/69K RJ45
field kit for self-assembly

Part Number (Details)

Y-ConKit - 2*

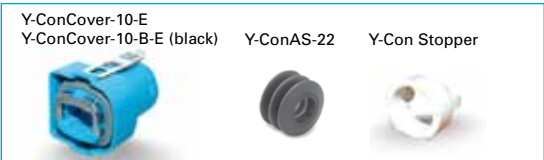
Series

See table below

IP67/68/69K RJ45 Konfektionierungs-Kit zur Selbstmontage

| Part Number | Cover | Terminator Cap | Plug | Signal Contacts | Power Contacts |
|------------------|--------------------|----------------|--------------|-----------------|----------------|
| Y-ConKit-20 | Y-ConCover-10 | Y-ConAS-23 | Y-ConPlug-11 | 4 (Ethernet) | 0 |
| Y-ConKit-20-B | Y-ConCover-10-B | Y-ConAS-23-B | Y-ConPlug-11 | 4 (Ethernet) | 0 |
| Y-ConKit-21 | Y-ConCover-10 | Y-ConAS-23 | Y-ConPlug-21 | 4 (Ethernet) | 2 |
| Y-ConKit-21-B | Y-ConCover-10-B | Y-ConAS-23-B | Y-ConPlug-21 | 4 (Ethernet) | 2 |
| Y-ConKit-21-B-LT | Y-ConCover-10-B-LT | Y-ConAS-23-B | Y-ConPlug-21 | 4 (Ethernet) | 2 |
| Y-ConKit-23 | Y-ConCover-10 | Y-ConAS-23 | Y-ConPlug-31 | 6 | 2 |
| Y-ConKit-24 | Y-ConCover-10 | Y-ConAS-23 | Y-ConPlug-41 | 8 | 0 |
| Y-ConKit-24-B | Y-ConCover-10-B | Y-ConAS-23-B | Y-ConPlug-41 | 8 | 0 |
| Y-ConKit-24-B-LT | Y-ConCover-10-B-LT | Y-ConAS-23-B | Y-ConPlug-41 | 8 | 0 |
| Y-ConKit-26 | Y-ConCover-10 | Y-ConAS-23 | Y-ConPlug-51 | 8 | 2 |

IP67 / 68 / 69K Field Kits (EMI)



Description:

IP67/68/69K EMI RJ45
Field kit for self-assembly

Part Number (Details)

Y-ConKit - 2*

Series

See table below

IP67/68/69K EMV RJ45 Konfektionierungs-Kit zur Selbstmontage

| Part Number | Cover | Terminator Cap | Plug | Signal Contacts | Power Contacts |
|-----------------|-------------------|----------------|--------------|-----------------|----------------|
| Y-ConKit-21-E | Y-ConCover-10-E | Y-ConAS-23 | Y-ConPlug-21 | 4 (Ethernet) | 2 |
| Y-ConKit-21-B-E | Y-ConCover-10-B-E | Y-ConAS-23-B | Y-ConPlug-21 | 4 (Ethernet) | 2 |

IP67 / 68 / 69K Flange Field Kits



Description:

IP67/68/69K RJ45
Flange field kit for
self-assembly

Part Number (Details)

Y-ConKit - 3*

Series

See table below

IP67 RJ45 Flansch Konfektionierungs-Kit zur Selbstmontage

| Part Number | Flange | Protection Cap |
|---------------|------------------|----------------|
| Y-ConKit-30 | Y-ConFlange-10 | Y-ConAS-24 |
| Y-ConKit-30-B | Y-ConFlange-10-B | Y-ConAS-24 |

IP67 / 68 / 69K Field Kits



Description:

IP67/68/69K RJ45 Field kit for self-assembly (metal)

IP67/68/69K RJ45 Konfektionierungs Kit zur Selbstmontage

Part Number (Details)

Y-ConKit - 4*

Series

See table below

| Part Number | Cover | Plug | Signal Contacts | Power Contacts |
|-------------|---------------|--------------|-----------------|----------------|
| Y-ConKit-40 | Y-ConCover-40 | Y-ConPlug-11 | 4 (Ethernet) | 0 |
| Y-ConKit-41 | Y-ConCover-40 | Y-ConPlug-21 | 4 (Ethernet) | 2 |

IP67 / 68 / 69K Metal Field Kits (EMI)



Description:

IP67/68/69K EMI RJ45 Field kit for self-assembly (metal)

IP67/68/69K EMV RJ45 Konfektionierungs-Kit zur Selbstmontage (Metalversion)

Part Number (Details)

Y-ConKit - 4*

Series

See table below

| Part Number | Cover | Plug | Signal Contacts | Power Contacts |
|---------------|-----------------|--------------|-----------------|----------------|
| Y-ConKit-40-E | Y-ConCover-40-E | Y-ConPlug-11 | 4 (Ethernet) | 0 |
| Y-ConKit-41-E | Y-ConCover-40-E | Y-ConPlug-21 | 4 (Ethernet) | 2 |

IP20 Field Kits



Description:

IP20 RJ45 Field kit for self-assembly

IP20 RJ45 Konfektionierungs-Kit zur Selbstmontage

Part Number (Details)

Y-ConKit - 1*

Series

See table below

| Part Number | Strain Relief | Plug | Signal Contacts | Power Contacts |
|-------------|---------------|--------------|-----------------|----------------|
| Y-ConKit-10 | Y-ConAS-11 | Y-ConPlug-11 | 4 (Ethernet) | 0 |
| Y-ConKit-11 | Y-ConAS-11 | Y-ConPlug-21 | 4 (Ethernet) | 2 |
| Y-ConKit-12 | Y-ConAS-11 | Y-ConPlug-51 | 8 | 2 |
| Y-ConKit-13 | Y-ConAS-11 | Y-ConPlug-31 | 6 | 2 |
| Y-ConKit-14 | Y-ConAS-11 | Y-ConPlug-41 | 8 | 0 |

IP20 Field Kits (EMI)



Description:

IP20 EMI RJ45 Field kit for self-assembly (Metal)

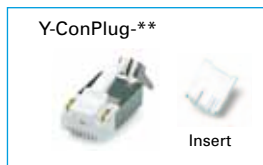
IP20 EMI RJ45 Konfektionierungs-Kit zur Selbstmontage (Metalversion)

Part Number (Details)

Y-ConKit - 1*

Series

See table below



| Part Number | Protection Cap | Cover Type | Plug Type | Signal Contacts | Power Contacts |
|-------------|----------------|---------------|--------------|-----------------|----------------|
| Y-ConKit-15 | Y-ConAS-12 | Y-ConCover-20 | Y-ConPlug-21 | 4 (Ethernet) | 2 |
| Y-ConKit-16 | Y-ConAS-12 | Y-ConCover-20 | Y-ConPlug-51 | 8 | 2 |
| Y-ConKit-17 | Y-ConAS-12 | Y-ConCover-20 | Y-ConPlug-11 | 4 (Ethernet) | 0 |



Part Number (Details)

Y-ConOutlet - **

Series

Design Number
(see table below)

| Part Number | Cable Outlet Diameter Size |
|----------------|----------------------------|
| Y-ConOutlet-10 | 5.0 to 9.0mm |
| Y-ConOutlet-11 | 6.0 to 13.0mm |

Description:

IP67 industrial outlets for structured cabling, including Y-ConFlange-10-* and cable fixing

IP67-geschützte Anschlussdosen für strukturierte Verkabelung, mit montiertem Y-ConFlange-10- und Kabelverschraubung*

Material:

Housing Aluminium
Gehäuse

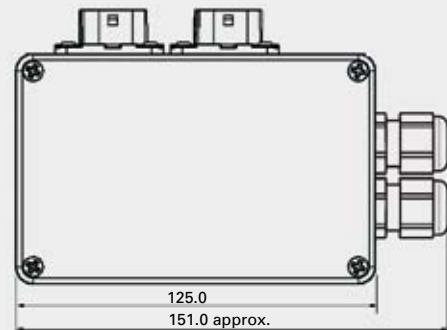
Flange PBT, UL94V-0
Flansch

Cable gland Nylon 6, UL94V-0
Kabelverschraubung

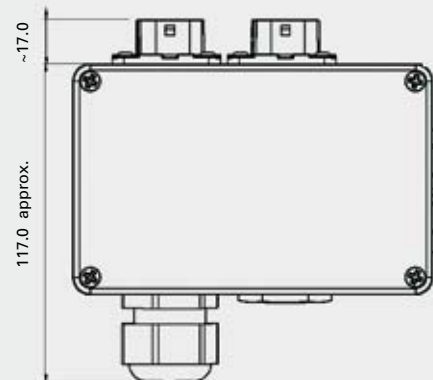
Specifications:

Operating Temp.: -20°C ~ +80°C
Betriebstemp.

Y-ConOutlet-10



Y-ConOutlet-11



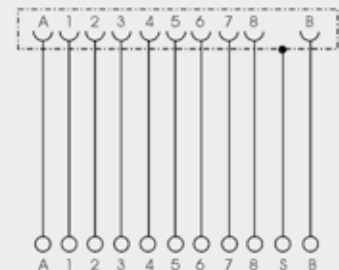
Part Number (Details)

Y-ConTerminal -10

Series

Design Number

Wiring Diagram



Cat 5 rail mounted terminal box for cabinet wiring, RJ45 / cage clamp incl. Y-ConJack-22 (with power contacts)

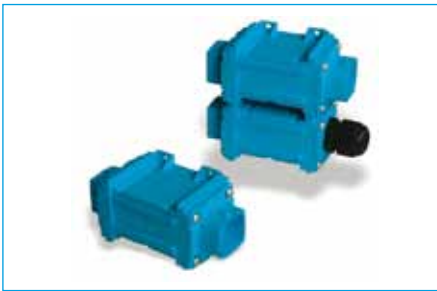
Cat 5 Hutschienen-Kabelverteiler für die Schaltschrankverdrahtung. RJ45 / Klemmanschluss inkl. Y-ConJack-22 (mit 2 Kontakten für die Stromversorgung)

Specifications:

Operating Temp.: -20°C ~ +80°C
Betriebstemp.

Durability: 1,000 mechanical cycles
Lebensdauer

Current Rating: 2.1A @ 70°C
Bemessungsstrom (power contacts)



Part Number (Details)

Y-ConCoupler - ** *

Series

Design Number
(see table below)

No Mark = Blue B = Blac

| Part Number | No. of Y-ConFlange-10* | Colour |
|-------------------|----------------------------------|--------|
| Y-ConCoupler-10 | 2 | Blue |
| Y-ConCoupler-10-B | 2 | Black |
| Y-ConCoupler-11 | 1 (plus cable gland Ø5.0 -9.0mm) | Blue |
| Y-ConCoupler-11-B | 1 (plus cable gland Ø5.0 -9.0mm) | Black |

Description:

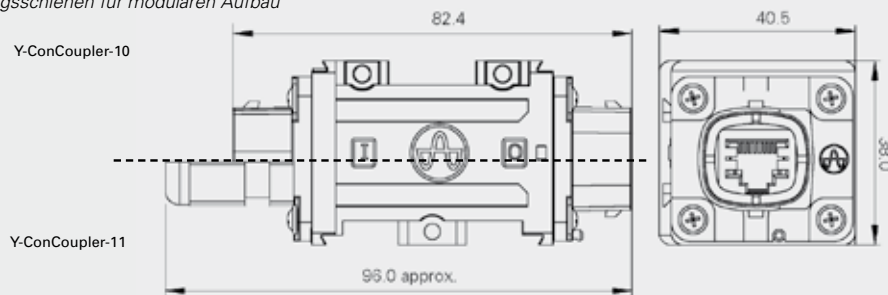
IP67 coupler module (w/o electronics) screw mount, guide rails for modular assembly

IP67 Kupplungsmodul (ohne Elektronik) mit Schraubhalterung und Führungsschienen für modularen Aufbau

Material: PBT, UL94V-0

Specifications:

Operating Temp.: -30°C ~ +120°C
Betriebstemp.



Part Number (Details)

Y-ConSwitch-1U7P

Series

Design Number

Description:

IP67 Ethernet switch*, 10BaseT / 100BaseTX, 7 data and 1 power port, unmanaged, Store/Forward, non-blocking, full or half duplex, auto-negotiated data control, screw mounted

IP67 Ethernet-Schalter*, 10BaseT/100BaseTX, 7 Datenports, 1 Stromversorgungsbuchse, unmanaged, Store / Forward, non-blocking, Voll- oder Halbduplexbetrieb, Auto-negotiated Data control, Wandbefestigung

* i.a.w. IEEE 802.3
IEEE 1588

Material:

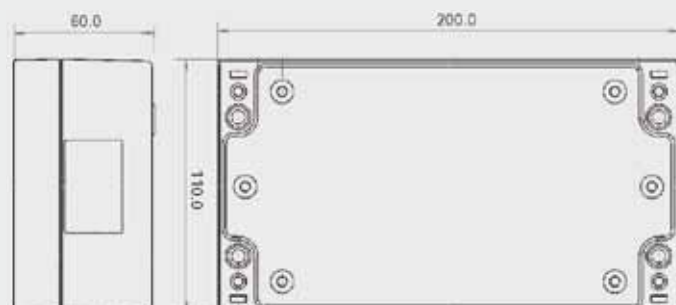
Housing Aluminium
Gehäuse

Flange PBT, UL94V-0
Flansch

Specifications

Operating Temp.: -40°C ~ +85°C
Betriebstemp.

Electrical specifications (on request)



Industrial Ethernet connected to sensors, actuators and encoders by **Y-Con RJ45 - M8/M12** converter cables.

M8/M12 features:

- Male and female versions 90° and 180°, PUR overmolded
- 360° shield for advanced shield connection
- Metal screw with vibration resistant locking

Industrial Ethernet verbunden mit Sensoren, Aktoren und Encodern über **Y-Con RJ45 - M8/M12** Verbindungskabel.

M8/M12 Merkmale:

- Stecker und Buchsen in 90° und 180° Versionen, PUR Umspritzung
- 360° Schirmanbindung für optimale Schirmeigenschaften
- Metallischer Drehverschluss mit vibrationsicherem Mechanismus

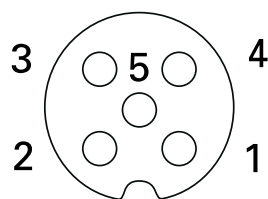


Table of available versions for M8 / M12 products

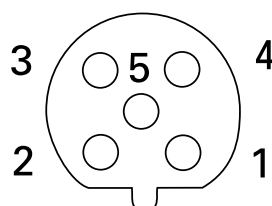
| Connector Type | Cable Mount | Panel Mount | Male | Female | 90° | 180° | Coding | Pin Count | Shielded |
|----------------|-------------|-------------|------|--------|-----|------|--------|------------|----------|
| M8 | o | | o | | | o | | 3, 4 | o |
| M8 | o | | | o | | o | | 3, 4 | o |
| M8 | o | | o | | o | | | 3, 4 | o |
| M8 | o | | | o | o | | | 3, 4 | o |
| M12 | o | | o | | | o | A | 3, 4, 5, 8 | o |
| M12 | o | | | o | | o | A | 3, 4, 5, 8 | o |
| M12 | o | | o | | o | | A | 3, 4, 5, 8 | o |
| M12 | o | | | o | o | | A | 3, 4, 5, 8 | o |
| M12 | o | | o | | | o | B, D | 3, 4, 5 | o |
| M12 | o | | | o | | o | B, D | 3, 4, 5 | o |
| M12 | o | | o | | o | | B, D | 3, 4, 5 | o |
| M12 | o | | | o | o | | B, D | 3, 4, 5 | o |

| Connector Type | Cable Mount | Panel Mount | Male | Female | 90° | 180° | Coding | Pin Count | Shielded |
|----------------|-------------|-------------|------|--------|-----|------|--------|------------|----------|
| M12 | | o | o | | | o | A | 3, 4, 5, 8 | o |
| M12 | | o | | o | | o | A | 3, 4, 5, 8 | o |
| M12 | | o | o | | o | | A | 3, 4, 5, 8 | o |
| M12 | | o | | o | o | | A | 3, 4, 5, 8 | o |
| M12 | | o | o | | | o | B, D | 3, 4, 5 | o |
| M12 | | o | | o | | o | B, D | 3, 4, 5 | o |
| M12 | | o | o | | o | | B, D | 3, 4, 5 | o |
| M12 | | o | | o | o | | B, D | 3, 4, 5 | o |

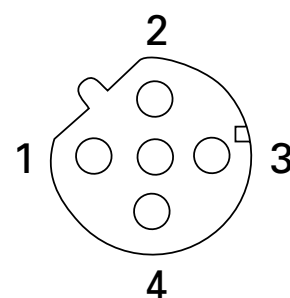
Max. cable diameter 8.50 / max. wire thickness 0.54mm²



A-Coding
(IEC 60947-2)
Female



B-Coding
(INTERBUS and PROFIBUS)
Female



D-Coding
(4 pin Ethernet)
Female

Y-Con + M8 /M12 Series

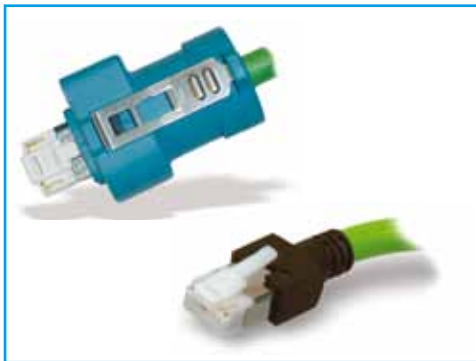
Part Number Example for RJ45 with M8 and M12

| | | | | | | | | | | |
|--------|---|------------------------|--------------------|---|-----------------------|---------------|---|--------------------|---|------------------|
| Y-ConC | - | R40 | 6P | - | MA | 4D | - | 2000 | - | A |
| Series | | RJ45 with 4+0 contacts | IP67 plastic cover | | M8 male shielded 180° | 4 pins Code D | | Cable length in mm | | Wiring T568A 1:1 |

Part Number (Details)

Y-ConC - *** ** - ** * * - **** - *

| | | | | | | | | | | |
|---|-----|----|---|----|---|---|---|------|---|---|
| Series | *** | ** | - | ** | * | * | - | **** | - | * |
| Interface Side 1 | | | | | | | | | | |
| <p>R40 = RJ45, 4+0 contacts</p> <p>R42 = RJ45, 4+2 contacts</p> <p>R60 = RJ45, 6+0 contacts</p> <p>R62 = RJ45, 6+2 contacts</p> <p>R80 = RJ45, 8+0 contacts</p> <p>R82 = RJ45, 8+2 contacts</p> | | | | | | | | | | |
| Protection side 1 | | | | | | | | | | |
| <p>6P = IP67 plastic cover</p> <p>6M = IP67 metal cover</p> <p>2S = IP20 strain relief</p> <p>2L = IP20Lock strain relief</p> <p>2U = IP20Lock 90° moulded</p> <p>2M = IP20 metal Cover-20</p> <p>CU = Customer specific</p> | | | | | | | | | | |
| Interface side 2 | | | | | | | | | | |
| <p>MA = M8 male shielded 180°</p> <p>MB = M8 female shielded 180°</p> <p>MC = M8 male shielded 90°</p> <p>MD = M8 female shielded 90°</p> <p>ME = M12 male shielded 180°</p> <p>MF = M12 female shielded 180°</p> <p>MG = M12 male shielded 90°</p> <p>MH = M12 female shielded 90°</p> | | | | | | | | | | |
| Pin counts 3, 4, 5 and 8 | | | | | | | | | | |
| Coding A, B and D | | | | | | | | | | |
| Length in mm | | | | | | | | | | |
| Wiring Plan A = T568A 1:1, B = T568A crossover, C = T568B 1 :1, D = T568B crossover, F = Custom | | | | | | | | | | |



Building on the success of ProfiBus, the ProfiNet transmission standard is set to become one of the most important for industrial automation applications. The Y-Con ProfiNet connector employs piercing contacts, and the plug mating face conforms to the RJ45 standard. It can thereby be used with standard RJ45 jacks and is backwards compatible.

Aufbauend auf dem Erfolg von ProfiBus ist der ProfiNet Übertragungsstandard dabei, einer der wichtigsten Verkabelungsstandards für Anwendungen der industriellen Automation zu werden. Der Y-Con ProfiNet Stecker verwendet Piercing-Kontakte. Das Steckgesicht ist identisch mit dem RJ45-Steckertyp. Somit ist er auch mit Standard RJ45-Buchsen anwendbar und abwärts kompatibel.



Part Number Y-ConPlug-15

Material:

Plug PBT, UL94V-0
Steckergehäuse

Shield: Nickel plated brass
Schirm

Contact Area: 30µ" Au over Ni
Kontakt

Description:

RJ45 Cat 5 plug for use in ProfiNet applications, with cable guide, shielding and cable crimp. 4 data contacts. Suitable for AWG22 cable with a lead $\leq \varnothing 1.40\text{mm}$

***RJ45 Cat 5 Kabelstecker für ProfiNet-Anwendungen** mit Kabelführung, Schirmung und Kabelcrimp. 4 Datenkontakte. Passend zu AWG22-Kabel mit Einzelader $\leq \varnothing 1,40\text{mm}$*

Specifications:

Operating Temp.: $-40^{\circ}\text{C} \sim +120^{\circ}\text{C}$
Betriebstemp.

Durability: 1,500 mechanical cycles
Lebensdauer



Part Number Y-ConCable-7

Description:

100 Mbit, Cat 5e ES, digital signal cable for use with Y-ConPlug-15 in ProfiNet applications, with 4 data lines,

***100 Mbps, Cat 5e ES**, Kabel für digitale Signale, für den Einsatz mit Y-Con-Plug15 bei ProfiNet-Anwendung mit 4 Datenleitungen,*

Material:

Jacket: PUR
Mantel

Bending Radius: 49mm multiple turns
Biegeradius 21mm single turn

Operating Temp.: $-20^{\circ}\text{C} \sim +80^{\circ}\text{C}$
Betriebstemp.

Colour: Green
Farbe

For more Y-ConCable-7 specifications see page 24



Part Number (Details)

Y-ConUSB-Stick - 3

Series

3 = 2MB

| Part Number | Memory Size |
|-------------------|-------------|
| *Y-ConUSB-Stick-3 | 2GB |

Description:

IP67/68/69K, USB stick with 2GB of flash memory.
For use with Y-ConFlange-**-*

*IP67/68/69K USB-Stick mit 2GB Flash-Speicher.
Für den Einsatz mit Y-ConFlange-**-**

Material:

Body PBT, UL94V-0
Gehäuse

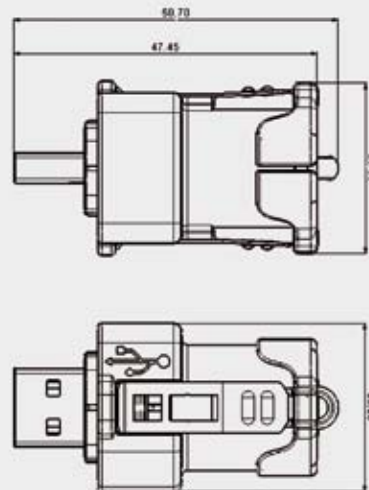
Seal FKM (Viton®)
Dichtung

Moulding Macromelt, halogen free
Vergussmasse

Fixing clips Stainless Steel
Rasthaken

Colour: Blue
Farbe

Outline Dimensions



Specifications:

Operating Temp.: -25°C ~ +80°C
Betriebstemp.

* For minimum order quantity please contact Yamaichi



Part Number (Details)

Y-ConFlange - 10 - *

| | |
|----------------|-----------|
| Series | |
| Design Number | |
| No Mark = Blue | B = Black |

| Part Number | Colour |
|------------------|--------|
| Y-ConFlange-10 | Blue |
| Y-ConFlange-10-B | Black |

Description:

Universal **mounting flange** with an integrated 2C seal (also in the screw area) to ensure IP6* protection when mounted with Y-ConCover-10-*

Universeller **Gehäuseflansch** mit integrierter 2K-Dichtung (auch im Schraubbereich). Damit sind für Y-ConCover-10-* im montierten Zustand die Schutzarten IP6* gewährleistet

Material:

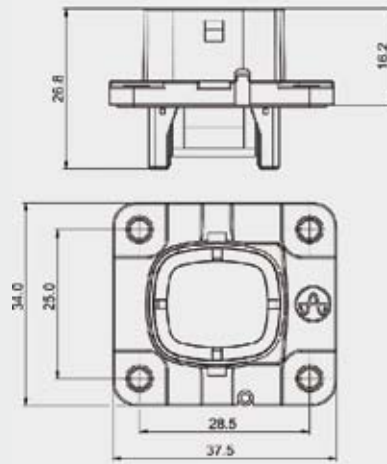
Flange Body PBT, UL94V-0
Flanschgehäuse

Flange Seal TPE, UL94 HB
Flanschdichtung

Specifications:

Operating Temp.: -40°C ~ +120°C
Betriebstemp.

Outline Dimensions



Part Number (Details)

Y-ConUSB-Adapter - **

| | |
|---------------|-------------------|
| Series | |
| Design Number | (see table below) |

| Part Number | Adapter Use |
|---------------------|-----------------------|
| Y-ConUSB-Adapter-10 | for all USB-A modules |
| Y-ConUSB-Adapter-20 | for all USB-B modules |

Description:

Y-ConFlange adapter modules for use with Y-ConUSB-PCB-**-** Jacks

Y-ConFlange Adaptergehäuse für die Y-ConUSB-PCB-**-** Buchsen

Material: PBT, black

Specifications:

Operating Temp.: -40°C ~ +120°C
Betriebstemp.

Part Number Y-ConUSB-PCB-11

USB-A Hi-Speed PCB mounted jack with PCB terminals¹⁾, including shield connection and fixing for cable straps. For use with Y-ConUSB-Adapter-10 and Y-ConFlange-10-*

USB-A Hi-Speed Buchse auf PCB mit Leiterplattenklemme¹⁾ inkl. Schirmanschluss und Bohrung für Kabelbinder. Für den Einsatz mit Y-ConUSB-Adapter-10 und Y-ConFlange-10-*

Operating Temp.: -25°C ~ +80°C
Betriebstemp.



¹⁾ cable according to Y-Con recommendation - on request
Kabellänge gemäß Y-Con Empfehlung - auf Anfrage

Part Number Y-ConUSB-PCB-12

USB-A / USB-A Hi-Speed PCB mounted coupler jack, for use with Y-ConUSB-Adapter-10 and Y-ConFlange-10-*

USB-A / USB-A Hi-Speed Buchse auf PCB. Für den Einsatz mit Y-ConUSB-Adapter-10 und Y-ConFlange-10-*

Operating Temp.: -25°C ~ +80°C
Betriebstemp.



Part Number Y-ConUSB-PCB-21

USB-B Hi-Speed PCB mounted jack with PCB terminals¹⁾, including shield connection and fixing for cable straps. For use with Y-ConUSB-Adapter-20 and Y-ConFlange-10-*

USB-B Hi-Speed Buchse auf PCB mit Leiterplattenklemme¹⁾ inkl. Schirmanschluss und Bohrung für Kabelbinder. Für den Einsatz mit Y-ConUSB-Adapter-20 und Y-ConFlange-10-*

Operating Temp.: -25°C ~ +80°C
Betriebstemp.



¹⁾ cable according to Y-Con recommendation - on request
Kabellänge gemäß Y-Con Empfehlung - auf Anfrage

Part Number Y-ConUSB-PCB-22

USB-B / USB-A Hi-Speed PCB mounted coupler jack, for use with Y-ConUSB-Adapter-20 and Y-ConFlange-10-*

USB-B / USB-A Hi-Speed Buchse auf PCB. Für den Einsatz mit Y-ConUSB-Adapter-20 und Y-ConFlange-10-*

Operating Temp.: -25°C ~ +80°C
Betriebstemp.



Part Number Y-ConUSB-PCB-32

USB-B / USB-B Hi-Speed PCB mounted coupler jack, for use with Y-ConUSB-Adapter-20 and Y-ConFlange-10-*

USB-B / USB-B Hi-Speed Buchse auf PCB. Für den Einsatz mit Y-ConUSB-Adapter-20 und Y-ConFlange-10-*

Operating Temp.: -25°C ~ +80°C
Betriebstemp.



Description:

Y-Con USB-A, IP67 / 68 / 69K and IP20 cable assembly in various configurations

Y-Con USB-A, IP67 / 68 / 69K und IP20 Kabelkonfektion in verschiedenen Konfigurationen

Material:

Cable Jacket: PUR, black
Mantel

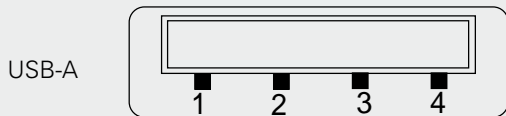
Specifications:

Operating Temp.: -25°C ~ +80°C
Betriebstemp.

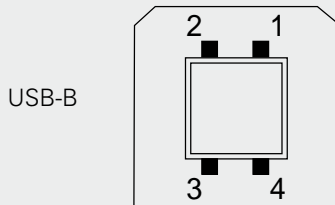
Other cable lengths and raw cable specifications on request
Andere Kabellängen und Kabelspezifikation auf Anfrage erhältlich



Wiring Information (standard)



| Pin No. | Name | Color | Notes |
|---------|------|-------|-----------------------|
| 1 | VBUS | Red | Power |
| 2 | D- | White | Data - (Twisted pair) |
| 3 | D+ | Green | Data + (Twisted pair) |
| 4 | GND | Black | Ground |



| Pin No. | Name | Color | Notes |
|---------|------|-------|-----------------------|
| 1 | VBUS | Red | Power |
| 2 | D- | White | Data - |
| 3 | D+ | Green | Data + (Twisted pair) |
| 4 | GND | Black | Ground |

Description:

Y-Con USB-B, IP67 / 68 / 69K and IP20 cable assembly in various configurations

Y-Con USB-B, IP67 / 68 / 69K und IP20 Kabelkonfektion in verschiedenen Konfigurationen

Material:

Cable Jacket: PUR, black
Mantel

Specifications:

Operating Temp.: -25°C ~ +80°C
Betriebstemp.

Other cable lengths and raw cable specifications on request
Andere Kabellängen und Kabelspezifikation auf Anfrage erhältlich



Y-ConUSB Cable Assemblies

Part Number Example for USB Cable Assemblies

| | | | | | | | | | | |
|--------|---|-----------------------|--------------------|---|-----------------------|-------------------------|---|--------------|---|----------|
| Y-ConC | - | UA4 | 6P | - | UB | 2S | - | 2000 | - | E |
| Series | | USB A with 4 contacts | IP67 plastic cover | | USB B with 4 Contacts | IP20 with strain relief | | Length in mm | | Standard |

Part Number (Details)

Y-ConC - *** ** - ** ** - ***** - *

| | | | | | | | | | |
|-------------------|--|----|------------|----|----|---|-------|---|---|
| Series | *** | ** | - | ** | ** | - | ***** | - | * |
| Interface Side 1 | UA4 = USB A, 4 contacts UB4 = USB B, 4 contacts | | | | | | | | |
| Protection Side 1 | 6P = IP67 plastic cover | | | | | | | | |
| | 2S = IP20 strain relief | | | | | | | | |
| | 2F = IP20 flat | | | | | | | | |
| | 2L = IP20Lock strain relief | | | | | | | | |
| Interface Side 2 | UA4 = USB A, 4 contacts UB4 = USB B, 4 contacts CU = customer specific FE = free end (cut only) | | | | | | | | |
| Protection Side 2 | 6P = IP67 plastic cover | | | | | | | | |
| | 2S = IP20 strain relief | | | | | | | | |
| | 2F = IP20 flat | | | | | | | | |
| | 2L = IP20Lock strain relief | | | | | | | | |
| | CU = customer specific | | | | | | | | |
| Length in mm | | | | | | | | | |
| Wiring Plan | E = Standard USB | | F = Custom | | | | | | |



Part Number (Details)

Y-ConC - IE6 ** - ** ** - **** - E

| | |
|-------------------|--|
| Series | Y-ConC |
| Interface side 1 | IE6 = IEEE, 6 contacts |
| Protection side 1 | 6P = IP67 plastic cover 2S = IP20 strain relief |
| Interface side 2 | IE = IEEE CU = customer specific FE = free end (cut only) |
| Protection side 2 | 6P = IP67 plastic cover 2S = IP20 strain relief CU = customer specific |
| Length in mm | |
| Wiring Plan | E = Standard IEEE F = Custom |

Description:

IEEE1394b (800 Mbit/s) cable assembly
Standard length = 2.0 meters.

IEEE1394b (800 Mbit/s) Kabelkonfektionen
Standardlänge = 2.0 Meter.

Other cable lengths and cable specifications available on request
Andere Kabellängen und Kabelspezifikation auf Anfrage erhältlich

Material:

Jacket: PUR, black
Mantel

Specifications:

Operating Temp.: -10°C ~ +70°C
Betriebstemp.





Part Number (Details)

Y-ConFlange - 10 *

Series

Design Number

No Mark = Blue B = Black

| Part Number | Colour |
|------------------|--------|
| Y-ConFlange-10 | Blue |
| Y-ConFlange-10-B | Black |

Description:

Universal **mounting flange** with an integrated 2C seal (also in the screw area) to ensure IP6* protection when mounted with Y-ConCover-10-*

(see page 6 for more details)

Universeller **Gehäuseflansch** mit integrierter 2K-Dichtung (auch im Schraubbereich), damit sind für Y-ConCover-10-* im montierten Zustand die Schutzarten IP6* gewährleistet



Part Number (Details)

Y-ConIEEE - Adapter - 10

Series

Design Number

Description:

Y-ConIEEE adapter module for use with Y-ConFlange-10-* and Y-ConIEEE-PCB-11

Y-ConIEEE Adaptergehäuse für den Einsatz mit Y-ConFlange-10-* und Y-ConIEEE-PCB-11

Material: PBT, black UL94V-0

Specifications:

Operating Temp.: -40°C ~ +120°C
Betriebstemp.



Part Number (Details)

Y-ConIEEE - PCB-11

Series

Design Number

Description:

IEEE1394b PCB mounted jack with PCB terminals, incl. shield connection and fixing for cable straps. For use with Y-ConIEEE-Adapter-10 and Y-ConFlange-10-*

IEEE1394b Buchse auf PCB mit Leiterplattenklemme inkl. Schirmanschluss und Bohrung für Kabelbinder. Für den Einsatz mit Y-ConIEEE-Adapter-10 und Y-ConFlange-10-*

Specifications:

Operating Temp.: -10°C ~ +70°C
Betriebstemp.

For further details please contact Yamaichi

| Test | Requirement | Standards |
|------------------------------|---|-------------------------------|
| Vibration | 10-500Hz, 50g, no contact interrupt >30ns | DIN IEC 60068-2-6 |
| Shock | 1 mio. shocks at 50g | – |
| Mating / Unmating Force IP20 | < 20N | DIN EN 60603-7 |
| Effectiveness of lock | 50N for 60sec | DIN EN 60603-7 |
| Rapid change of temperature | -40 ~ +85°C for 100 cycles | DIN IEC 60068-2-14 |
| Dry heat | 80°C + 120°C for 1,000 hrs | DIN IEC 60068-2-2 |
| Damp heat | 40°C, 93% humidity for 56 days | DIN IEC 60068-2-78 |
| Industrial atmosphere | 4 gases for 10 days | DIN IEC 60068-2-60 (method 4) |
| Electrical load | 1.5A for 1,000 hrs | DIN IEC 60512-5 |
| Current rating | 2.1A at 70°C | DIN IEC 60512-5-2 |
| Strain relief | 80N static + 30N dynamic | DIN 57472-625 |
| Drag Chain | min. 100,000 up to max. 1 mio. cycles | – |
| Ultraviolet radiation | 40°C, 16 hrs at 700W + 16 hrs at 0W | DIN IEC 60068-2-9 |
| Salt spray | 48 hrs | DIN IEC 60068-2-11 |
| Dust test | 20mbar for 8 hrs | DIN EN60068-2-68 |
| IP67 | 0.1 bar (= 1.0m depth) for 30 minutes | DIN 40050-9 |
| IP68 | 0.1 bar (= 1.0m depth) for 48 hrs | DIN 40050-9 |
| IP69K | High pressure water jet (80 bar) from 4 positions x 30 seconds 80°C water temperature | DIN 40050-9 |

Part Number Details

| | | | | | |
|--------------------------------------|---------------|----------------------------|----|---------------------------|-----------|
| Y-ConAS-11 | 8, 27 | Y-ConIP20Lock-Clip-1 | 11 | Y-ConKit-10 | 27 |
| Y-ConAS-12 | 8, 10, 27 | Y-ConIP20Lock-Clip-2 | 11 | Y-ConKit-11 | 27 |
| Y-ConAS-13 | 14 | Y-ConIP20Lock-Clip-3 | 11 | Y-ConKit-12 | 27 |
| Y-ConAS-21 | 2, 3, 4, 5 | Y-ConIP20Lock-Clip-4 | 11 | Y-ConKit-13 | 27 |
| Y-ConAS-23 | 26 | Y-ConIP20Lock-Clip-5 | 11 | Y-ConKit-14 | 27 |
| Y-ConAS-23-B | 26 | Y-ConIP20Lock-Clip-6 | 11 | Y-ConKit-15 | 27 |
| Y-ConAS-24 | 6, 26 | Y-ConIP20Lock-Clip-7 | 11 | Y-ConKit-16 | 27 |
| Y-ConAS-24-LT | 6 | Y-ConJack-11 | 14 | Y-ConKit-17 | 27 |
| Y-ConAS-25 | 6, 7 | Y-ConJack-11-3C-1 | 18 | Y-ConKit-20 | 26 |
| Y-ConCable-1 | 24 | Y-ConJack-11-3C-2 | 18 | Y-ConKit-20-B | 26 |
| Y-ConCable-2 | 24 | Y-ConJack-11-3C-3 | 18 | Y-ConKit-21 | 26 |
| Y-ConCable-3 | 24 | Y-ConJack-11-3C-4 | 18 | Y-ConKit-21-B | 26 |
| Y-ConCable-4 | 24 | Y-ConJack-11-3C-5 | 18 | Y-ConKit-21-B-E | 26 |
| Y-ConCable-7 | 24, 32 | Y-ConJack-11-3C-6 | 18 | Y-ConKit-21-B-LT | 26 |
| Y-ConCable-8 | 24 | Y-ConJack-11-3C-7 | 18 | Y-ConKit-21-E | 26 |
| Y-ConCable-10 | 24 | Y-ConJack-12 | 14 | Y-ConKit-23 | 26 |
| Y-ConCoupler-10 | 29 | Y-ConJack-13 | 20 | Y-ConKit-24 | 26 |
| Y-ConCoupler-10-B | 29 | Y-ConJack-14 | 20 | Y-ConKit-24-B | 26 |
| Y-ConCoupler-11 | 29 | Y-ConJack-15 | 21 | Y-ConKit-24-B-LT | 26 |
| Y-ConCoupler-11-B | 29 | Y-ConJack-16 | 19 | Y-ConKit-26 | 26 |
| Y-ConCover-10 | 2, 26 | Y-ConJack-16K | 19 | Y-ConKit-30 | 26 |
| Y-ConCover-10-B | 2, 26 | Y-ConJack-16KM | 19 | Y-ConKit-30-B | 26 |
| Y-ConCover-10-B-E | 3, 26 | Y-ConJack-16M | 19 | Y-ConKit-40 | 27 |
| Y-ConCover-10-B-LT | 2, 26 | Y-ConJack-21 | 14 | Y-ConKit-40-E | 27 |
| Y-ConCover-10-B-LT-E | 3 | Y-ConJack-21-3C-1 | 18 | Y-ConKit-41 | 27 |
| Y-ConCover-10-E | 3, 26 | Y-ConJack-21-3C-2 | 18 | Y-ConKit-41-E | 27 |
| Y-ConCover-10-LT | 2 | Y-ConJack-21-3C-3 | 18 | Y-ConOutlet-10 | 28 |
| Y-ConCover-10-LT-E | 3 | Y-ConJack-21-3C-4 | 18 | Y-ConOutlet-11 | 28 |
| Y-ConCover-20 | 10, 27 | Y-ConJack-21-3C-5 | 18 | Y-ConPlug-11 | 8, 26, 27 |
| Y-ConCover-30 | 2, 3 | Y-ConJack-21-3C-6 | 18 | Y-ConPlug-15 | 32 |
| Y-ConCover-40 | 4, 27 | Y-ConJack-21-3C-7 | 18 | Y-ConPlug-21 | 8, 26, 27 |
| Y-ConCover-40-B-E | 27 | Y-ConJack-21-PP | 14 | Y-ConPlug-31 | 8, 26, 27 |
| Y-ConCover-40-E | 5, 27 | Y-ConJack-22-THR | 14 | Y-ConPlug-41 | 8, 26, 27 |
| Y-ConCover-40-LT-E | 5 | Y-ConJack-22-WAVE | 14 | Y-ConPlug-51 | 8, 26, 27 |
| Y-ConCover-40-LT | 4 | Y-ConJack-23 | 20 | Y-ConSwitch-1U7P | 29 |
| Y-ConC Assemblies for IEEE | 38 | Y-ConJack-24 | 20 | Y-ConTerminal-10 | 28 |
| Y-ConC Assemblies for IP20Lock | 11 | Y-ConJack-25 | 21 | Y-ConTool-11 | 23 |
| Y-ConC Assemblies for RJ45 | 12 | Y-ConJack-25C | 22 | Y-ConTool-20 | 23 |
| Y-ConC Assemblies for USB | 31, 37 | Y-ConJack-26C | 22 | Y-ConTool-30 | 23 |
| Y-ConFlange-10 | 6, 26, 34, 39 | Y-ConJack-31 | 16 | Y-ConUSB-Adapter-10 | 34 |
| Y-ConFlange-10-B | 6, 26, 34, 39 | Y-ConJack-32 | 16 | Y-ConUSB-Adapter-20 | 34 |
| Y-ConFlange-40 | 7 | Y-ConJack-33 | 16 | Y-ConUSB-PCB-11 | 35 |
| Y-ConFlange-40-C | 7 | Y-ConJack-34 | 16 | Y-ConUSB-PCB-12 | 35 |
| Y-ConFlange-Punch-1 | 6, 7 | Y-ConJack-35 | 16 | Y-ConUSB-PCB-21 | 3 |
| Y-ConIEEE-Adapter-10 | 39 | Y-ConJack-36 | 16 | Y-ConUSB-PCB-22 | 35 |
| Y-ConIEEE-PCB-11 | 39 | Y-ConJack-51 | 17 | Y-ConUSB-PCB-32 | 35 |
| Y-ConIP20HFR-10 | 9 | Y-ConJack-52 | 17 | Y-ConUSB-Stick-3 | 33 |
| Y-ConIP20HFR-20 | 9 | Y-ConJack-53 | 17 | | |
| Y-ConIP20HFR-40 | 9 | Y-ConJack-54 | 17 | | |
| Y-ConIP20Lock-10 | 9 | Y-ConJack-55 | 17 | | |
| Y-ConIP20Lock-20 | 9 | Y-ConJack-56 | 17 | | |