

Series 80 "Mighty Mouse" Backshells, Boots and Clamps



Environmental Backshells

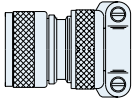
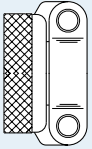
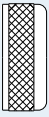
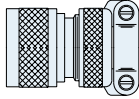
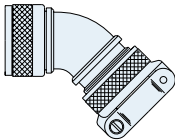
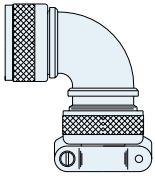


Environmental backshells feature silicone o-rings for a watertight seal.

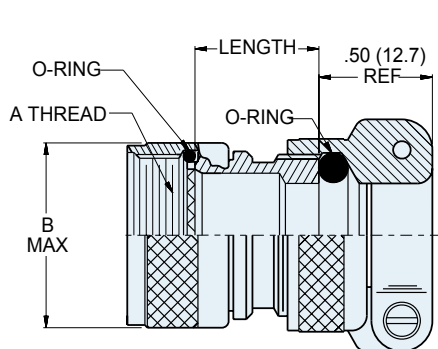
Straight Entry backshells are available with direct coupling or rotatable coupling.

45° and 90° adapters feature rotatable coupling nuts.

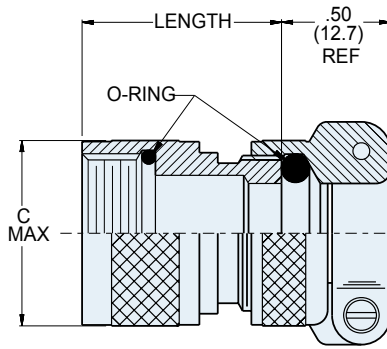
| MATERIALS | |
|---------------------------------|--|
| Adapter, Clamp, Nut and Saddles | Aluminum Alloy 6061-T6 or 300 Series Stainless Steel |
| O-Rings | Silicone Rubber |
| Hardware | 300 Series Stainless Steel |

| HOW TO ORDER | | | | | | | | | | | | | | | | | | | | | | | | | | | | | | | | | | | | | | | | | | | | | | | | | | | | | | | | | | | | | | | | | | | | | | | | | | | | | | | | | | | | | | | | | | | | | | | | | | | | | |
|--|---|--|------------------|------------------------|-------------|----------|----|----------|----|----------|----|----------|----|----------|----|----------|----|----------|----|----------|----|----------|----|----------|---|------------------|------------------------|------|------|-----|------|------|--|-----|------|------|--|-----|------|------|--|-----|------|------|--|-----|------|------|--|-----|------|------|--|-----|------|------|--|-----|------|------|--|-----|------|------|--|---|-------------|-----------------|---|------|---|------|---|------|---|-------|---|-------|----|-------|----|-------|----|-------|----|-------|----|-------|----|-------|----|-------|----|-------|----|-------|----|-------|----|-------|--|
| Sample Part Number | | | | | | | | | | | | | | | | | | | | | | | | | | | | | | | | | | | | | | | | | | | | | | | | | | | | | | | | | | | | | | | | | | | | | | | | | | | | | | | | | | | | | | | | | | | | | | | | | | | | | |
| 370MS037 | C | 10 | 05- | 6 | N | | | | | | | | | | | | | | | | | | | | | | | | | | | | | | | | | | | | | | | | | | | | | | | | | | | | | | | | | | | | | | | | | | | | | | | | | | | | | | | | | | | | | | | | | | | | | | | | |
| Part Number | Shell Material / Finish | Size Code | Cable Entry Code | Length | Clamp Style | | | | | | | | | | | | | | | | | | | | | | | | | | | | | | | | | | | | | | | | | | | | | | | | | | | | | | | | | | | | | | | | | | | | | | | | | | | | | | | | | | | | | | | | | | | | | | | | |
|  <p>370MS038 Straight Entry, Rotatable Coupling</p> | <p>C Aluminum / Black Anodize</p> <p>M Aluminum / Electroless Nickel</p> <p>NF Aluminum / Cadmium with Olive Drab Chromate</p> <p>ZN Aluminum / Zinc-Nickel with Olive Drab Chromate</p> <p>ZNU Aluminum / Zinc-Nickel with Black Chromate</p> <p>Z1 Stainless Steel / Passivated</p> | <table border="1"> <thead> <tr> <th>Size Code</th> <th>Thread Size</th> </tr> </thead> <tbody> <tr><td>05</td><td>.2500-32</td></tr> <tr><td>06</td><td>.3125-32</td></tr> <tr><td>11</td><td>.3750-32</td></tr> <tr><td>07</td><td>.4375-28</td></tr> <tr><td>08</td><td>.5000-28</td></tr> <tr><td>09</td><td>.5625-24</td></tr> <tr><td>10</td><td>.6250-24</td></tr> <tr><td>12</td><td>.6875-24</td></tr> <tr><td>13</td><td>.7500-20</td></tr> <tr><td>14</td><td>.9375-20</td></tr> </tbody> </table> | Size Code | Thread Size | 05 | .2500-32 | 06 | .3125-32 | 11 | .3750-32 | 07 | .4375-28 | 08 | .5000-28 | 09 | .5625-24 | 10 | .6250-24 | 12 | .6875-24 | 13 | .7500-20 | 14 | .9375-20 | <table border="1"> <thead> <tr> <th>Cable Entry Code</th> <th>Cable Sealing Diameter</th> <th>Max.</th> <th>Min.</th> </tr> </thead> <tbody> <tr><td>01-</td><td>.109</td><td>.031</td><td></td></tr> <tr><td>02-</td><td>.172</td><td>.078</td><td></td></tr> <tr><td>03-</td><td>.234</td><td>.140</td><td></td></tr> <tr><td>04-</td><td>.297</td><td>.203</td><td></td></tr> <tr><td>05-</td><td>.359</td><td>.265</td><td></td></tr> <tr><td>06-</td><td>.422</td><td>.328</td><td></td></tr> <tr><td>07-</td><td>.484</td><td>.390</td><td></td></tr> <tr><td>08-</td><td>.547</td><td>.453</td><td></td></tr> <tr><td>09-</td><td>.609</td><td>.515</td><td></td></tr> </tbody> </table> | Cable Entry Code | Cable Sealing Diameter | Max. | Min. | 01- | .109 | .031 | | 02- | .172 | .078 | | 03- | .234 | .140 | | 04- | .297 | .203 | | 05- | .359 | .265 | | 06- | .422 | .328 | | 07- | .484 | .390 | | 08- | .547 | .453 | | 09- | .609 | .515 | | <p>Straight Entry 370MS Only</p> <table border="1"> <thead> <tr> <th>Length Code</th> <th>Length (Inches)</th> </tr> </thead> <tbody> <tr><td>5</td><td>.625</td></tr> <tr><td>6</td><td>.750</td></tr> <tr><td>7</td><td>.875</td></tr> <tr><td>8</td><td>1.000</td></tr> <tr><td>9</td><td>1.125</td></tr> <tr><td>10</td><td>1.250</td></tr> <tr><td>11</td><td>1.375</td></tr> <tr><td>12</td><td>1.500</td></tr> <tr><td>13</td><td>1.625</td></tr> <tr><td>14</td><td>1.750</td></tr> <tr><td>15</td><td>1.875</td></tr> <tr><td>16</td><td>2.000</td></tr> <tr><td>17</td><td>2.125</td></tr> <tr><td>18</td><td>2.250</td></tr> <tr><td>19</td><td>2.375</td></tr> <tr><td>20</td><td>2.500</td></tr> </tbody> </table> <p>Specify length in increments of .125 inches (3.18 mm.)</p> | Length Code | Length (Inches) | 5 | .625 | 6 | .750 | 7 | .875 | 8 | 1.000 | 9 | 1.125 | 10 | 1.250 | 11 | 1.375 | 12 | 1.500 | 13 | 1.625 | 14 | 1.750 | 15 | 1.875 | 16 | 2.000 | 17 | 2.125 | 18 | 2.250 | 19 | 2.375 | 20 | 2.500 |  <p>Omit for screw clamp with saddle bars</p>  <p>N Compression Nut, Low Profile</p> |
| | | | Size Code | Thread Size | | | | | | | | | | | | | | | | | | | | | | | | | | | | | | | | | | | | | | | | | | | | | | | | | | | | | | | | | | | | | | | | | | | | | | | | | | | | | | | | | | | | | | | | | | | | | | | | | |
| | | | 05 | .2500-32 | | | | | | | | | | | | | | | | | | | | | | | | | | | | | | | | | | | | | | | | | | | | | | | | | | | | | | | | | | | | | | | | | | | | | | | | | | | | | | | | | | | | | | | | | | | | | | | | | |
| | | | 06 | .3125-32 | | | | | | | | | | | | | | | | | | | | | | | | | | | | | | | | | | | | | | | | | | | | | | | | | | | | | | | | | | | | | | | | | | | | | | | | | | | | | | | | | | | | | | | | | | | | | | | | | |
| | | | 11 | .3750-32 | | | | | | | | | | | | | | | | | | | | | | | | | | | | | | | | | | | | | | | | | | | | | | | | | | | | | | | | | | | | | | | | | | | | | | | | | | | | | | | | | | | | | | | | | | | | | | | | | |
| | | | 07 | .4375-28 | | | | | | | | | | | | | | | | | | | | | | | | | | | | | | | | | | | | | | | | | | | | | | | | | | | | | | | | | | | | | | | | | | | | | | | | | | | | | | | | | | | | | | | | | | | | | | | | | |
| | | | 08 | .5000-28 | | | | | | | | | | | | | | | | | | | | | | | | | | | | | | | | | | | | | | | | | | | | | | | | | | | | | | | | | | | | | | | | | | | | | | | | | | | | | | | | | | | | | | | | | | | | | | | | | |
| | | | 09 | .5625-24 | | | | | | | | | | | | | | | | | | | | | | | | | | | | | | | | | | | | | | | | | | | | | | | | | | | | | | | | | | | | | | | | | | | | | | | | | | | | | | | | | | | | | | | | | | | | | | | | | |
| | | | 10 | .6250-24 | | | | | | | | | | | | | | | | | | | | | | | | | | | | | | | | | | | | | | | | | | | | | | | | | | | | | | | | | | | | | | | | | | | | | | | | | | | | | | | | | | | | | | | | | | | | | | | | | |
| | | | 12 | .6875-24 | | | | | | | | | | | | | | | | | | | | | | | | | | | | | | | | | | | | | | | | | | | | | | | | | | | | | | | | | | | | | | | | | | | | | | | | | | | | | | | | | | | | | | | | | | | | | | | | | |
| | | | 13 | .7500-20 | | | | | | | | | | | | | | | | | | | | | | | | | | | | | | | | | | | | | | | | | | | | | | | | | | | | | | | | | | | | | | | | | | | | | | | | | | | | | | | | | | | | | | | | | | | | | | | | | |
| | | | 14 | .9375-20 | | | | | | | | | | | | | | | | | | | | | | | | | | | | | | | | | | | | | | | | | | | | | | | | | | | | | | | | | | | | | | | | | | | | | | | | | | | | | | | | | | | | | | | | | | | | | | | | | |
| | | | Cable Entry Code | Cable Sealing Diameter | Max. | Min. | | | | | | | | | | | | | | | | | | | | | | | | | | | | | | | | | | | | | | | | | | | | | | | | | | | | | | | | | | | | | | | | | | | | | | | | | | | | | | | | | | | | | | | | | | | | | | | |
| | | | 01- | .109 | .031 | | | | | | | | | | | | | | | | | | | | | | | | | | | | | | | | | | | | | | | | | | | | | | | | | | | | | | | | | | | | | | | | | | | | | | | | | | | | | | | | | | | | | | | | | | | | | | | | |
| 02- | .172 | .078 | | | | | | | | | | | | | | | | | | | | | | | | | | | | | | | | | | | | | | | | | | | | | | | | | | | | | | | | | | | | | | | | | | | | | | | | | | | | | | | | | | | | | | | | | | | | | | | | | | | |
| 03- | .234 | .140 | | | | | | | | | | | | | | | | | | | | | | | | | | | | | | | | | | | | | | | | | | | | | | | | | | | | | | | | | | | | | | | | | | | | | | | | | | | | | | | | | | | | | | | | | | | | | | | | | | | |
| 04- | .297 | .203 | | | | | | | | | | | | | | | | | | | | | | | | | | | | | | | | | | | | | | | | | | | | | | | | | | | | | | | | | | | | | | | | | | | | | | | | | | | | | | | | | | | | | | | | | | | | | | | | | | | |
| 05- | .359 | .265 | | | | | | | | | | | | | | | | | | | | | | | | | | | | | | | | | | | | | | | | | | | | | | | | | | | | | | | | | | | | | | | | | | | | | | | | | | | | | | | | | | | | | | | | | | | | | | | | | | | |
| 06- | .422 | .328 | | | | | | | | | | | | | | | | | | | | | | | | | | | | | | | | | | | | | | | | | | | | | | | | | | | | | | | | | | | | | | | | | | | | | | | | | | | | | | | | | | | | | | | | | | | | | | | | | | | |
| 07- | .484 | .390 | | | | | | | | | | | | | | | | | | | | | | | | | | | | | | | | | | | | | | | | | | | | | | | | | | | | | | | | | | | | | | | | | | | | | | | | | | | | | | | | | | | | | | | | | | | | | | | | | | | |
| 08- | .547 | .453 | | | | | | | | | | | | | | | | | | | | | | | | | | | | | | | | | | | | | | | | | | | | | | | | | | | | | | | | | | | | | | | | | | | | | | | | | | | | | | | | | | | | | | | | | | | | | | | | | | | |
| 09- | .609 | .515 | | | | | | | | | | | | | | | | | | | | | | | | | | | | | | | | | | | | | | | | | | | | | | | | | | | | | | | | | | | | | | | | | | | | | | | | | | | | | | | | | | | | | | | | | | | | | | | | | | | |
| Length Code | Length (Inches) | | | | | | | | | | | | | | | | | | | | | | | | | | | | | | | | | | | | | | | | | | | | | | | | | | | | | | | | | | | | | | | | | | | | | | | | | | | | | | | | | | | | | | | | | | | | | | | | | | | | |
| 5 | .625 | | | | | | | | | | | | | | | | | | | | | | | | | | | | | | | | | | | | | | | | | | | | | | | | | | | | | | | | | | | | | | | | | | | | | | | | | | | | | | | | | | | | | | | | | | | | | | | | | | | | |
| 6 | .750 | | | | | | | | | | | | | | | | | | | | | | | | | | | | | | | | | | | | | | | | | | | | | | | | | | | | | | | | | | | | | | | | | | | | | | | | | | | | | | | | | | | | | | | | | | | | | | | | | | | | |
| 7 | .875 | | | | | | | | | | | | | | | | | | | | | | | | | | | | | | | | | | | | | | | | | | | | | | | | | | | | | | | | | | | | | | | | | | | | | | | | | | | | | | | | | | | | | | | | | | | | | | | | | | | | |
| 8 | 1.000 | | | | | | | | | | | | | | | | | | | | | | | | | | | | | | | | | | | | | | | | | | | | | | | | | | | | | | | | | | | | | | | | | | | | | | | | | | | | | | | | | | | | | | | | | | | | | | | | | | | | |
| 9 | 1.125 | | | | | | | | | | | | | | | | | | | | | | | | | | | | | | | | | | | | | | | | | | | | | | | | | | | | | | | | | | | | | | | | | | | | | | | | | | | | | | | | | | | | | | | | | | | | | | | | | | | | |
| 10 | 1.250 | | | | | | | | | | | | | | | | | | | | | | | | | | | | | | | | | | | | | | | | | | | | | | | | | | | | | | | | | | | | | | | | | | | | | | | | | | | | | | | | | | | | | | | | | | | | | | | | | | | | |
| 11 | 1.375 | | | | | | | | | | | | | | | | | | | | | | | | | | | | | | | | | | | | | | | | | | | | | | | | | | | | | | | | | | | | | | | | | | | | | | | | | | | | | | | | | | | | | | | | | | | | | | | | | | | | |
| 12 | 1.500 | | | | | | | | | | | | | | | | | | | | | | | | | | | | | | | | | | | | | | | | | | | | | | | | | | | | | | | | | | | | | | | | | | | | | | | | | | | | | | | | | | | | | | | | | | | | | | | | | | | | |
| 13 | 1.625 | | | | | | | | | | | | | | | | | | | | | | | | | | | | | | | | | | | | | | | | | | | | | | | | | | | | | | | | | | | | | | | | | | | | | | | | | | | | | | | | | | | | | | | | | | | | | | | | | | | | |
| 14 | 1.750 | | | | | | | | | | | | | | | | | | | | | | | | | | | | | | | | | | | | | | | | | | | | | | | | | | | | | | | | | | | | | | | | | | | | | | | | | | | | | | | | | | | | | | | | | | | | | | | | | | | | |
| 15 | 1.875 | | | | | | | | | | | | | | | | | | | | | | | | | | | | | | | | | | | | | | | | | | | | | | | | | | | | | | | | | | | | | | | | | | | | | | | | | | | | | | | | | | | | | | | | | | | | | | | | | | | | |
| 16 | 2.000 | | | | | | | | | | | | | | | | | | | | | | | | | | | | | | | | | | | | | | | | | | | | | | | | | | | | | | | | | | | | | | | | | | | | | | | | | | | | | | | | | | | | | | | | | | | | | | | | | | | | |
| 17 | 2.125 | | | | | | | | | | | | | | | | | | | | | | | | | | | | | | | | | | | | | | | | | | | | | | | | | | | | | | | | | | | | | | | | | | | | | | | | | | | | | | | | | | | | | | | | | | | | | | | | | | | | |
| 18 | 2.250 | | | | | | | | | | | | | | | | | | | | | | | | | | | | | | | | | | | | | | | | | | | | | | | | | | | | | | | | | | | | | | | | | | | | | | | | | | | | | | | | | | | | | | | | | | | | | | | | | | | | |
| 19 | 2.375 | | | | | | | | | | | | | | | | | | | | | | | | | | | | | | | | | | | | | | | | | | | | | | | | | | | | | | | | | | | | | | | | | | | | | | | | | | | | | | | | | | | | | | | | | | | | | | | | | | | | |
| 20 | 2.500 | | | | | | | | | | | | | | | | | | | | | | | | | | | | | | | | | | | | | | | | | | | | | | | | | | | | | | | | | | | | | | | | | | | | | | | | | | | | | | | | | | | | | | | | | | | | | | | | | | | | |
|  <p>370MS037 Straight Entry, Direct Coupling</p> | | | | | | | | | | | | | | | | | | | | | | | | | | | | | | | | | | | | | | | | | | | | | | | | | | | | | | | | | | | | | | | | | | | | | | | | | | | | | | | | | | | | | | | | | | | | | | | | | | | | | |
|  <p>370MB038 45° Entry</p> | | | | | | | | | | | | | | | | | | | | | | | | | | | | | | | | | | | | | | | | | | | | | | | | | | | | | | | | | | | | | | | | | | | | | | | | | | | | | | | | | | | | | | | | | | | | | | | | | | | | | |
|  <p>370MA038 90° Entry</p> | | | | | | | | | | | | | | | | | | | | | | | | | | | | | | | | | | | | | | | | | | | | | | | | | | | | | | | | | | | | | | | | | | | | | | | | | | | | | | | | | | | | | | | | | | | | | | | | | | | | | |

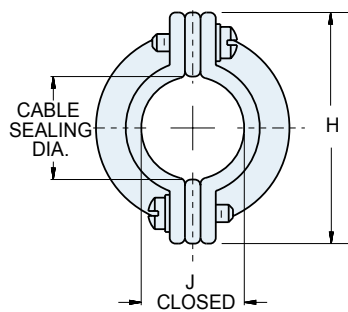
Environmental Backshells



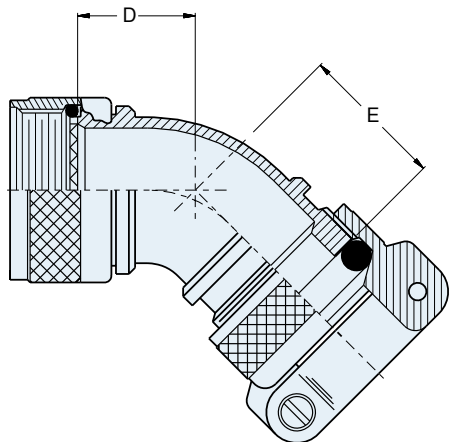
STRAIGHT ENTRY
ROTATABLE COUPLING
370MS038



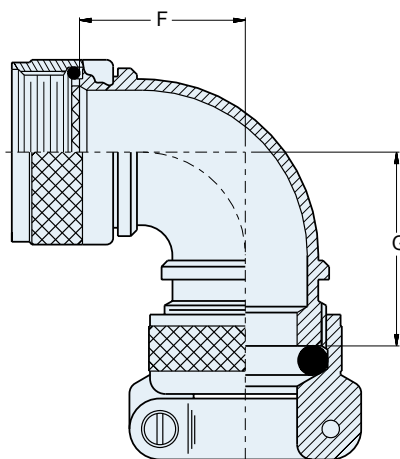
STRAIGHT ENTRY
DIRECT COUPLING
370MS037



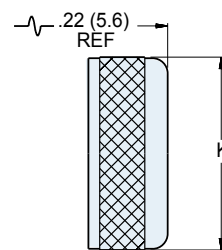
SADDLE CLAMP



45° ENTRY
ROTATABLE COUPLING
370MB038



90° ENTRY
ROTATABLE COUPLING
370MA038



CLAMP STYLE N
COMPRESSION NUT

| DIMENSIONS | | | | | | | |
|------------|----------|--------|-------|--------|-------|--------------|-------|
| Size Code | A Thds. | B Max. | | C Max. | | Std. Length* | |
| | | In. | mm. | In. | mm. | In. | mm. |
| 05 | .2500-32 | .470 | 11.94 | .350 | 8.89 | .750 | 19.05 |
| 06 | .3125-32 | .530 | 13.46 | .415 | 10.54 | .750 | 19.05 |
| 11 | .3750-32 | .570 | 14.48 | .465 | 11.68 | .750 | 19.05 |
| 07 | .4375-28 | .637 | 16.18 | .530 | 13.46 | .750 | 19.05 |
| 08 | .5000-28 | .700 | 17.78 | .595 | 15.11 | .750 | 19.05 |
| 09 | .5625-24 | .758 | 19.25 | .650 | 16.51 | .750 | 19.05 |
| 10 | .6250-24 | .819 | 20.80 | .715 | 18.16 | .750 | 19.05 |
| 12 | .6875-24 | .896 | 22.76 | .785 | 19.94 | .880 | 22.35 |
| 13 | .7500-20 | .930 | 23.62 | .830 | 21.08 | .880 | 22.35 |
| 14 | .9375-20 | 1.137 | 28.88 | 1.020 | 25.91 | 1.000 | 25.40 |

*Choose standard length for best availability

| DIMENSIONS | | | | | | | | | | | | | | | | |
|------------------|--------------------|------|--------|-------|--------|-------|--------|-------|--------|-------|-------|-------|------------|-------|------|-------|
| Cable Entry Code | Cable Sealing Dia. | | D Max. | | E Max. | | F Max. | | G Max. | | H | | Ø J Closed | | Ø K | |
| | Max. | Min. | In. | mm. | In. | mm. | In. | mm. | In. | mm. | In. | mm. | In. | mm. | In. | mm. |
| 01 | .109 | .031 | .603 | 15.32 | .581 | 14.76 | .724 | 18.39 | .702 | 17.83 | .496 | 12.60 | .110 | 2.79 | .398 | 10.11 |
| 02 | .172 | .078 | .603 | 15.32 | .581 | 14.76 | .724 | 18.39 | .702 | 17.83 | .582 | 14.78 | .170 | 4.32 | .460 | 11.68 |
| 03 | .234 | .140 | .603 | 15.32 | .581 | 14.76 | .724 | 18.39 | .702 | 17.83 | .656 | 16.66 | .230 | 5.84 | .523 | 13.28 |
| 04 | .297 | .203 | .629 | 15.98 | .607 | 15.42 | .786 | 19.96 | .764 | 19.41 | .726 | 18.44 | .300 | 7.62 | .585 | 14.86 |
| 05 | .359 | .265 | .629 | 15.98 | .607 | 15.42 | .786 | 19.96 | .764 | 19.41 | .885 | 22.48 | .360 | 9.14 | .647 | 16.43 |
| 06 | .422 | .328 | .655 | 16.64 | .633 | 16.00 | .848 | 21.54 | .826 | 20.98 | .952 | 24.18 | .420 | 10.67 | .710 | 18.03 |
| 07 | .484 | .390 | .655 | 16.64 | .633 | 16.00 | .848 | 21.54 | .826 | 20.98 | 1.018 | 25.86 | .480 | 12.19 | .773 | 19.63 |
| 08 | .547 | .453 | .707 | 17.96 | .685 | 17.40 | .911 | 23.14 | .889 | 22.58 | 1.084 | 27.53 | .550 | 13.97 | .835 | 21.21 |
| 09 | .609 | .515 | .707 | 17.96 | .685 | 17.40 | .911 | 23.14 | .889 | 22.58 | 1.148 | 29.16 | .610 | 15.49 | .897 | 22.78 |