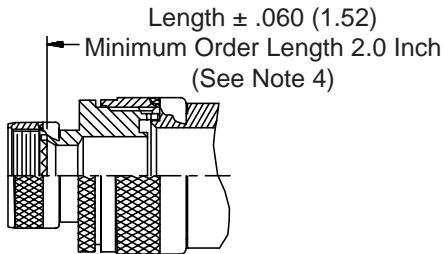
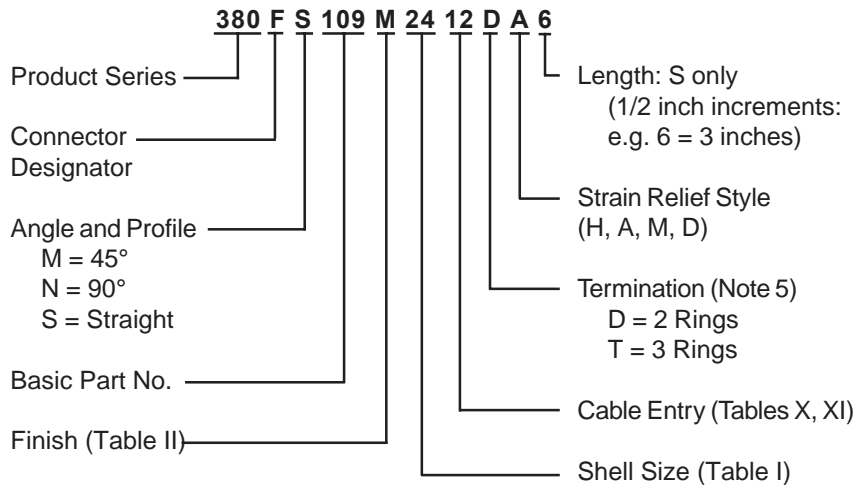
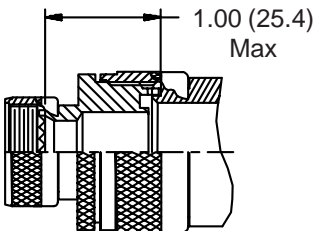


CONNECTOR DESIGNATORS
A-F-H-L-S
SELF-LOCKING
ROTATABLE COUPLING

TYPE E INDIVIDUAL AND/OR OVERALL SHIELD TERMINATION



STYLE 2 (STRAIGHT See Note 1)



STYLE 2 (45° & 90° See Note 1)

