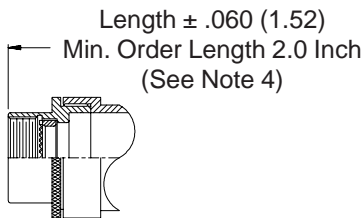
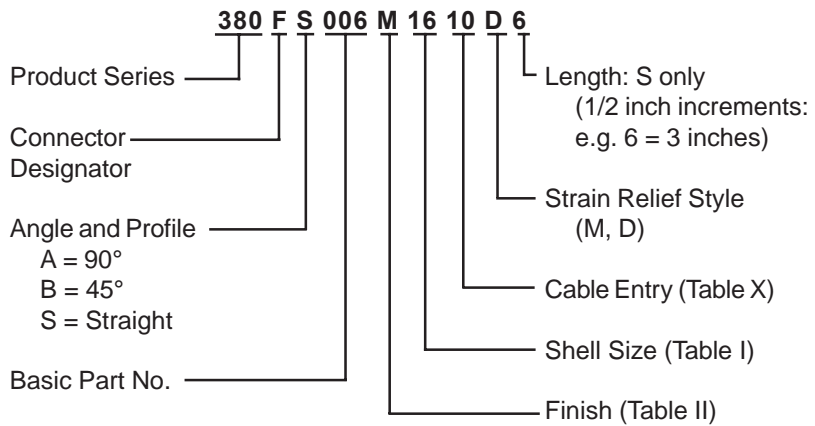


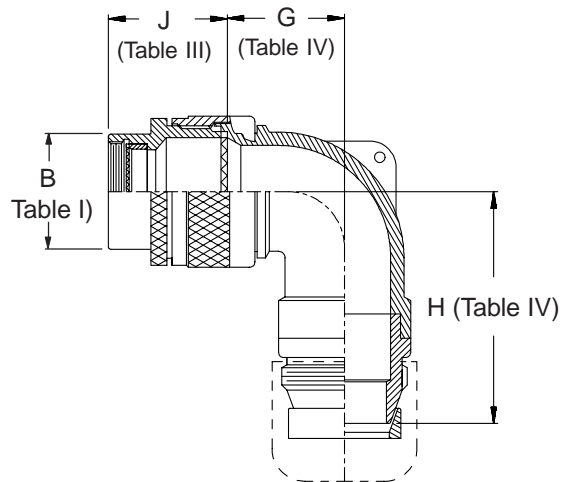
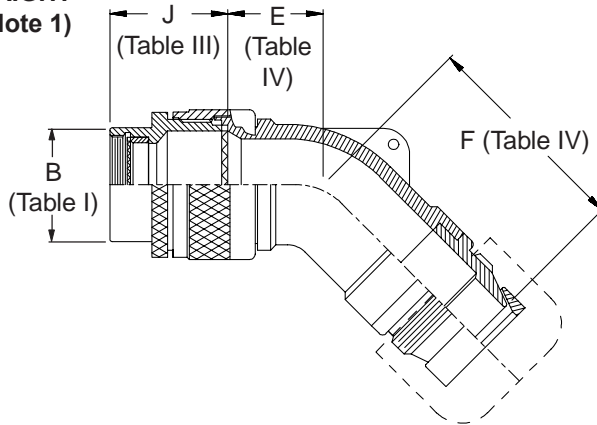
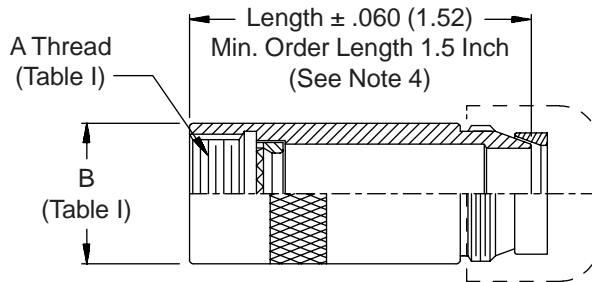
**CONNECTOR
 DESIGNATORS**
A-B*-C-D-E-F
G-H-J-K-L-S

* Conn. Desig. B See Note 5
**DIRECT
 COUPLING**

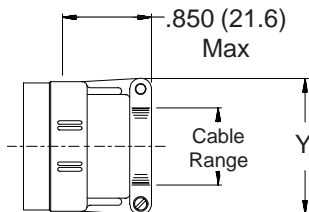
**TYPE C OVERALL
 SHIELD TERMINATION**



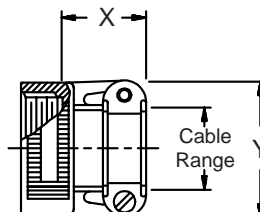
**STYLE 2
 (STRAIGHT
 See Note 1)**



STYLE M
 Medium Duty - Dash No. 01-04
 (Table X)



STYLE M
 Medium Duty - Dash No. 10-28
 (Table X)



STYLE D
 Medium Duty
 (Table X)

