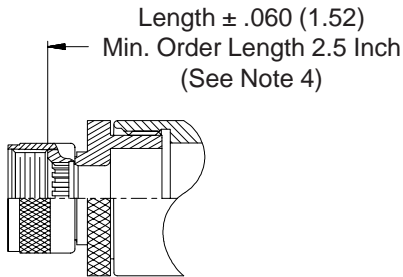
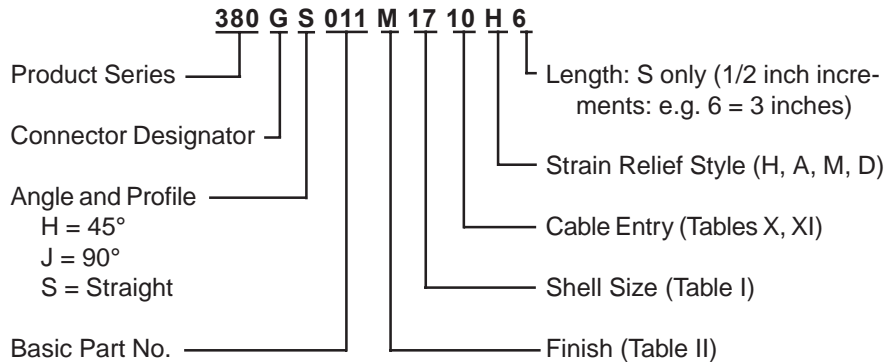


**CONNECTOR
DESIGNATOR**

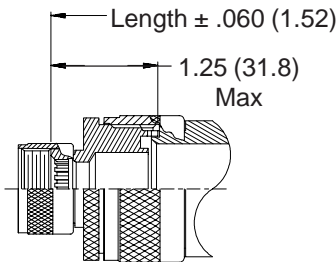
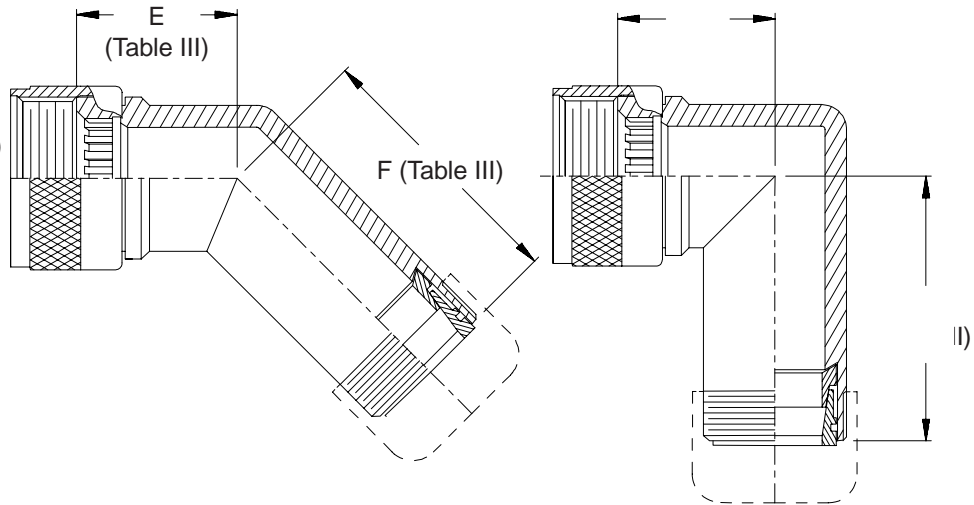
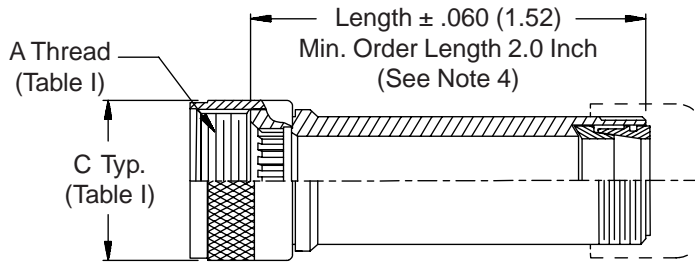
G

**ROTATABLE
COUPLING**

**TYPE A OVERALL
SHIELD TERMINATION**



**STYLE 2
(STRAIGHT
See Note 1)**



**STYLE 2
(45° & 90°
See Note 1)**

