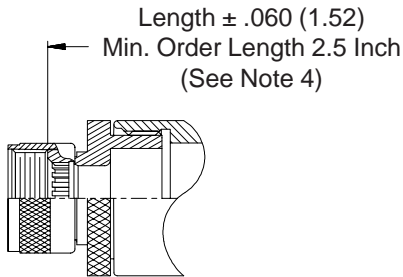
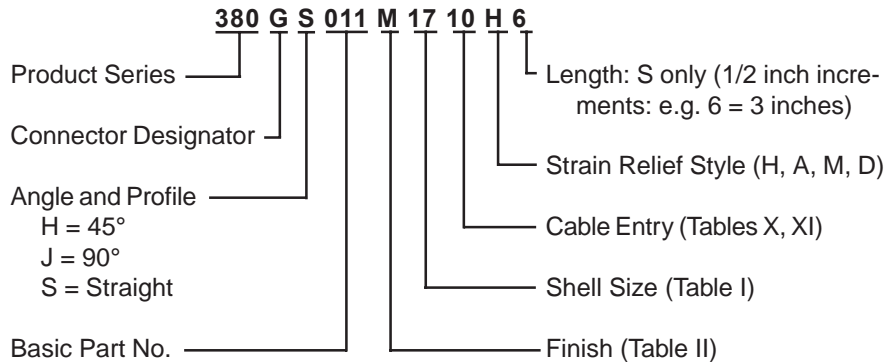


**CONNECTOR  
DESIGNATOR**

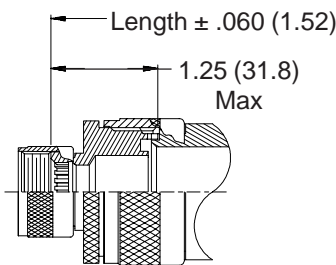
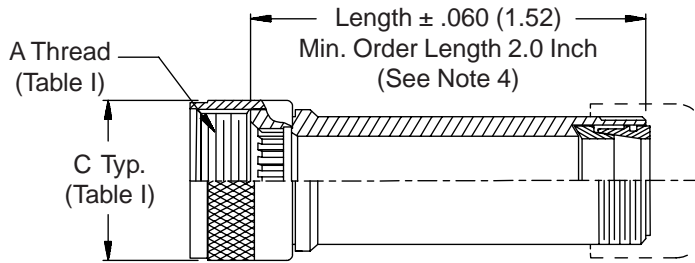
**G**

**ROTATABLE  
COUPLING**

**TYPE A OVERALL  
SHIELD TERMINATION**



**STYLE 2  
(STRAIGHT  
See Note 1)**



**STYLE 2  
(45° & 90°  
See Note 1)**

