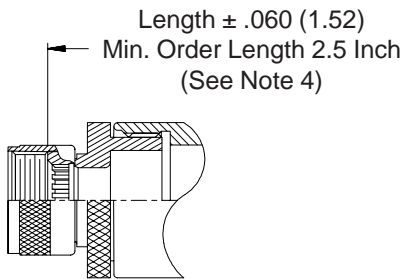
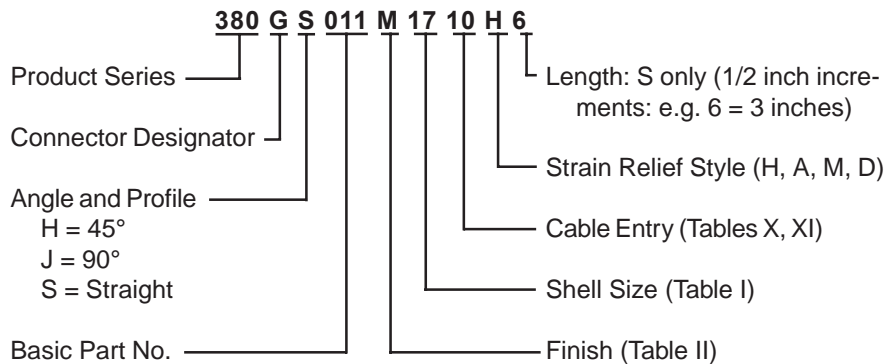


**CONNECTOR  
DESIGNATOR**

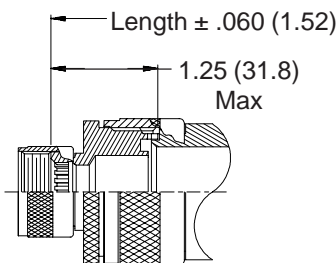
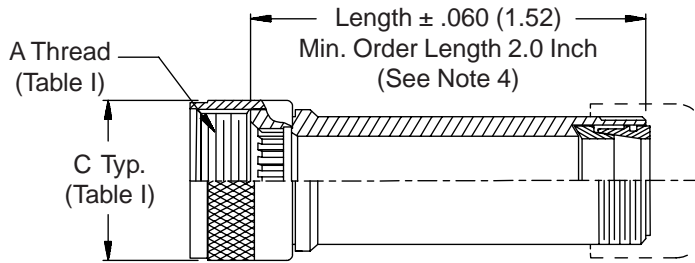
**G**

**ROTATABLE  
COUPLING**

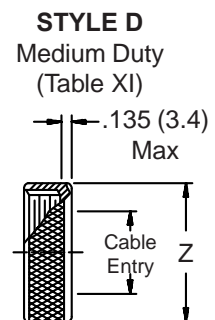
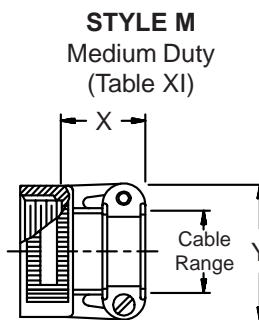
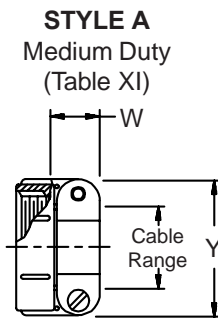
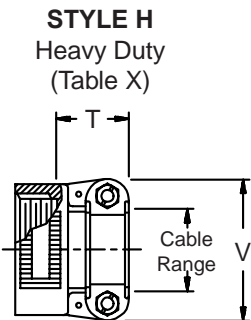
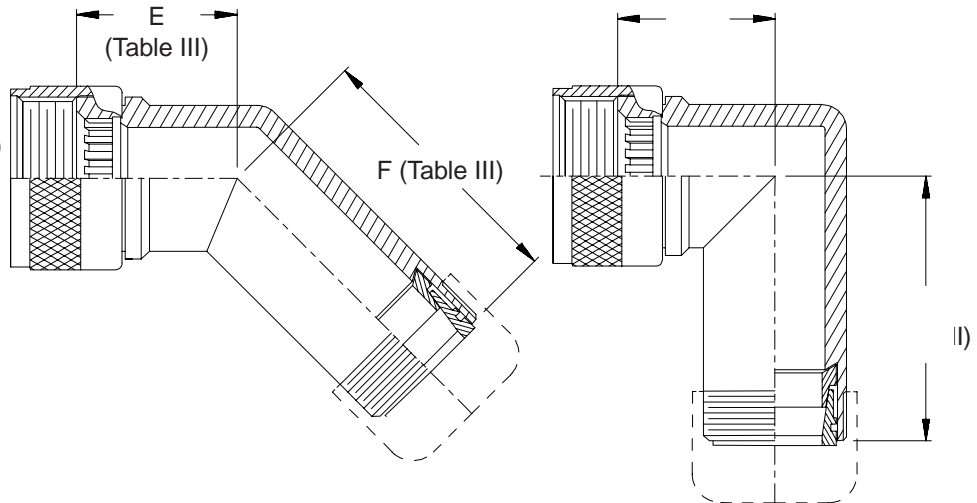
**TYPE A OVERALL  
SHIELD TERMINATION**



**STYLE 2  
(STRAIGHT  
See Note 1)**



**STYLE 2  
(45° & 90°  
See Note 1)**



**380-011**  
**EMI/RFI Non-Environmental Backshell**  
with Strain Relief  
**Type A - Rotatable Coupling - Standard Profile**



See inside back cover fold-out or pages 13 and 14 for unabridged  
**Tables I and II.**

TABLE III: ELBOW DIMENSIONS								
Shell Size	E		F		G		H	
	Max		Max		Max		Max	
11	1.240	(31.5)	1.050	(26.7)	1.380	(35.1)	1.190	(30.2)
13	1.260	(32.0)	1.070	(27.2)	1.440	(36.6)	1.250	(31.8)
15	1.290	(32.8)	1.100	(27.9)	1.500	(38.1)	1.320	(33.5)
17	1.310	(33.3)	1.120	(28.4)	1.570	(39.9)	1.380	(35.1)
19	1.340	(34.0)	1.150	(29.2)	1.630	(41.4)	1.460	(37.1)
23	1.380	(35.1)	1.190	(30.2)	1.730	(43.9)	1.540	(39.1)
25	1.410	(35.8)	1.220	(31.0)	1.800	(45.7)	1.610	(40.9)
29	1.580	(40.1)	1.390	(35.3)	2.040	(51.8)	1.850	(47.0)
33	1.620	(41.1)	1.430	(36.3)	2.130	(54.1)	1.940	(49.3)

1. When maximum cable entry (page 21) is exceeded, Style 2 will be supplied. Dimensions E, F, G & H will not apply. Please consult factory.
2. Metric dimensions (mm) are indicated in parentheses.
3. Cable range is defined as the accommodations range for the wire bundle or cable. Dimensions shown are not intended for inspection criteria.
4. Consult factory for shorter lengths on straight backshells.

TABLE X: CABLE ENTRY						
Dash No.	T	V	Cable Range			
			Min		Max	
04	.780 (19.8)	.957 (24.3)	.125 (3.2)	.312 (7.9)		
06	.780 (19.8)	1.145 (29.1)	.250 (6.4)	.437 (11.1)		
08	.780 (19.8)	1.332 (33.8)	.312 (7.9)	.562 (14.3)		
10	.780 (19.8)	1.332 (33.8)	.350 (8.9)	.625 (15.9)		
12	.811 (20.6)	1.551 (39.4)	.500 (12.7)	.750 (19.1)		
16	.905 (23.0)	1.770 (45.0)	.625 (15.9)	.937 (23.8)		
20	1.092 (27.7)	2.113 (53.7)	.875 (22.2)	1.250 (31.8)		
24	1.124 (28.5)	2.363 (60.0)	1.000 (25.4)	1.375 (34.9)		
28	1.399 (35.5)	2.770 (70.4)	1.250 (31.8)	1.625 (41.3)		
32	1.399 (35.5)	3.020 (76.7)	1.437 (36.5)	1.875 (47.6)		

TABLE II: STANDARD FINISHES	
GLENNAIR SYMBOL	FINISH
B	Cadmium Plate, Olive Drab
M	Electroless Nickel
NF	Cadmium Plate, Olive Drab Over Electroless Nickel
See Inside Back Cover for Additional Finish Options	

-445

Now Available with the "NESTOR"

Add "-445" to Specify  
Glenair's Non-Detent,  
Spring-Loaded, Self-Locking  
Coupling. See Page 41 for Details.

TABLE XI: CABLE ENTRY							
Dash No.	W	X	Y	Z	Cable Range		
					Min **		Max
03*	.437 (11.1)	.760 (19.3)	.843 (21.4)	.630 (16.0)	.156 (4.0)	.250 (6.4)	
04*	.437 (11.1)	.760 (19.3)	.906 (23.0)	.755 (19.2)	.188 (4.8)	.312 (7.9)	
06*	.500 (12.7)	.760 (19.3)	1.093 (27.8)	.942 (23.9)	.281 (7.1)	.438 (11.1)	
08	.563 (14.3)	.760 (19.3)	1.187 (30.1)	1.067 (27.1)	.344 (8.7)	.562 (14.3)	
10	.563 (14.3)	.760 (19.3)	1.281 (32.5)	1.192 (30.3)	.375 (9.5)	.625 (15.9)	
12	.563 (14.3)	.760 (19.3)	1.500 (38.1)	1.380 (35.1)	.438 (11.1)	.750 (19.1)	
16	.656 (16.7)	1.073 (27.3)	1.719 (43.7)	1.535 (39.0)	.562 (14.3)	.938 (23.8)	
20	.656 (16.7)	1.323 (33.6)	2.062 (52.4)	1.848 (46.9)	.750 (19.1)	1.250 (31.8)	
24	.656 (16.7)	1.323 (33.6)	2.312 (58.7)	2.255 (57.3)	.781 (19.8)	1.375 (34.9)	
28	1.188 (30.2)	1.572 (39.9)	2.719 (69.1)	2.505 (63.6)	.969 (24.6)	1.625 (41.3)	
32*	1.187 (30.1)	1.572 (39.9)	2.969 (75.4)	2.755 (70.0)	1.125 (28.6)	1.875 (47.6)	
40*	1.125 (28.6)	1.572 (39.9)	3.531 (89.7)	3.255 (82.7)	1.469 (37.3)	2.375 (60.3)	

\* Not available in Style M clamp. \*\* Not Applicable Style D