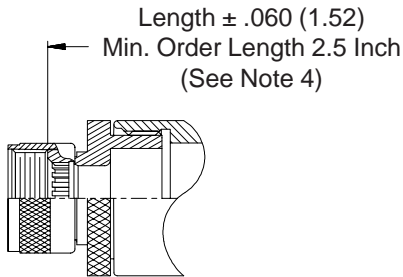
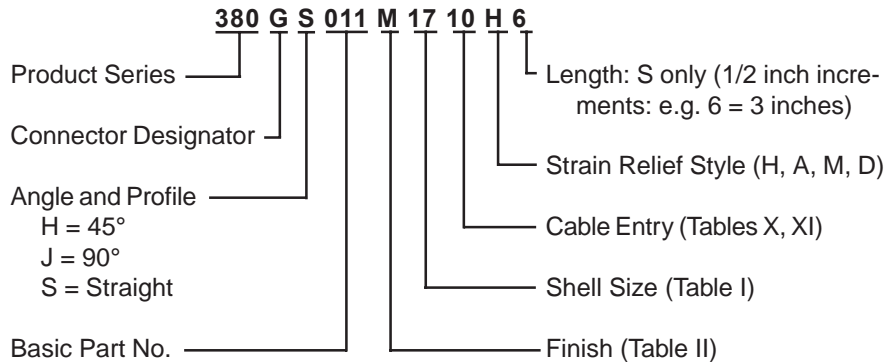


**CONNECTOR
DESIGNATOR**

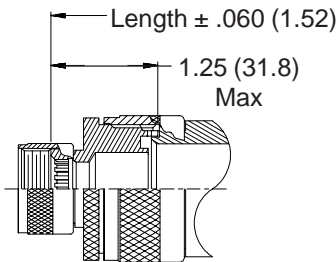
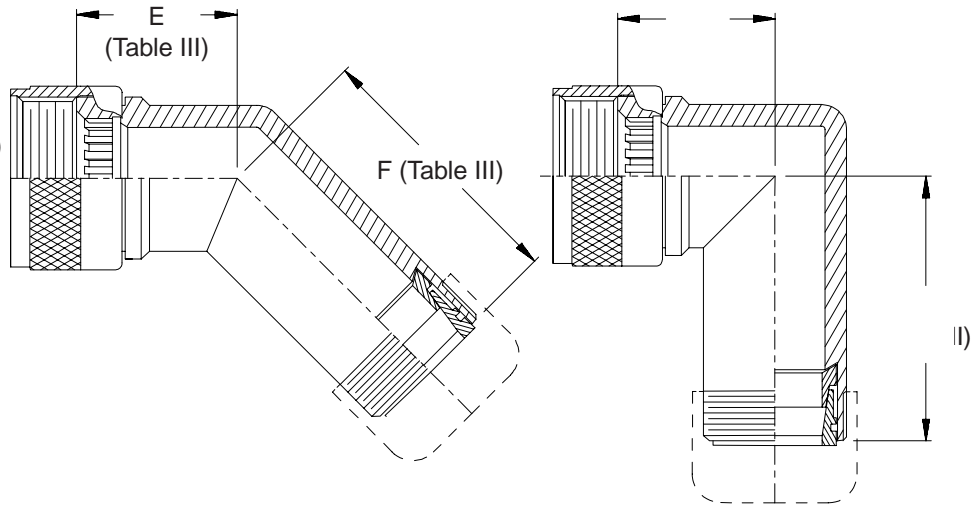
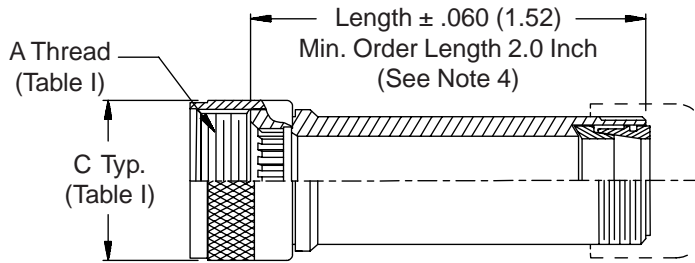
G

**ROTATABLE
COUPLING**

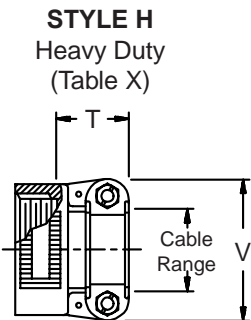
**TYPE A OVERALL
SHIELD TERMINATION**



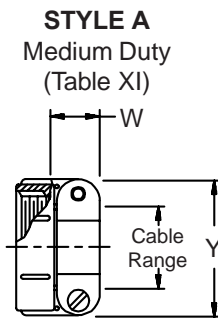
**STYLE 2
(STRAIGHT
See Note 1)**



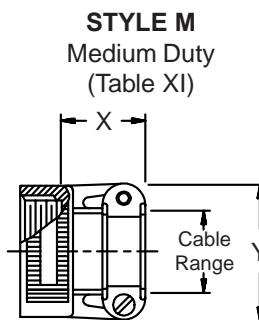
**STYLE 2
(45° & 90°
See Note 1)**



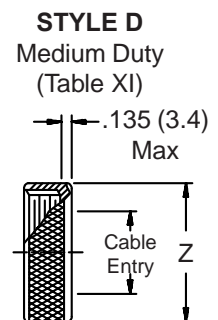
**STYLE H
Heavy Duty
(Table X)**



**STYLE A
Medium Duty
(Table XI)**



**STYLE M
Medium Duty
(Table XI)**



**STYLE D
Medium Duty
(Table XI)**

