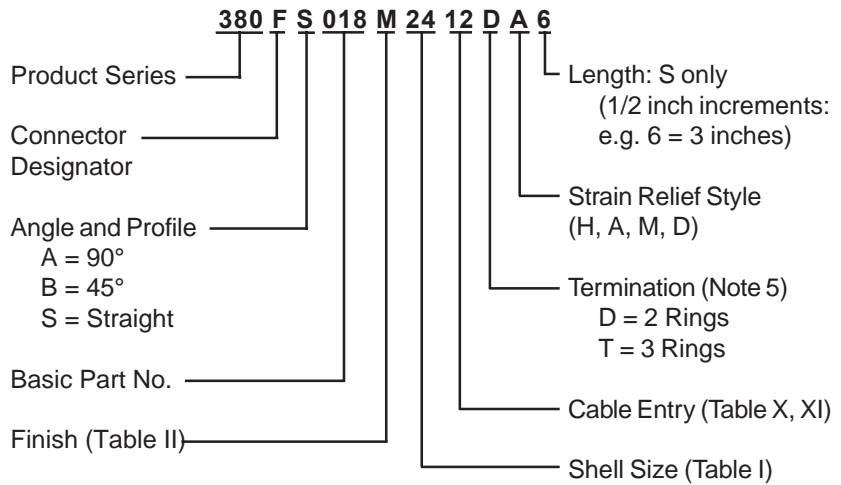


**380-018**  
**EMI/RFI Non-Environmental Backshell**  
**with Strain Relief**  
**Type E - Rotatable Coupling - Low Profile**

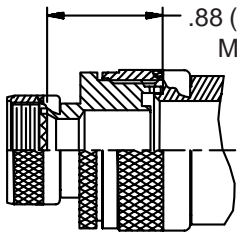
**CONNECTOR  
 DESIGNATORS  
 A-F-H-L-S**

**ROTATABLE  
 COUPLING**

**TYPE E INDIVIDUAL  
 AND/OR OVERALL  
 SHIELD TERMINATION**



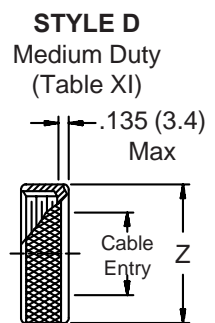
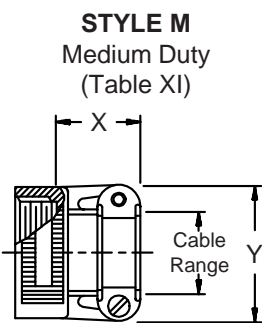
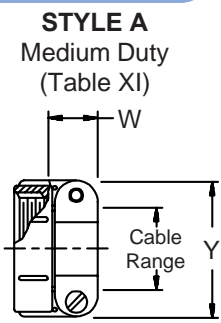
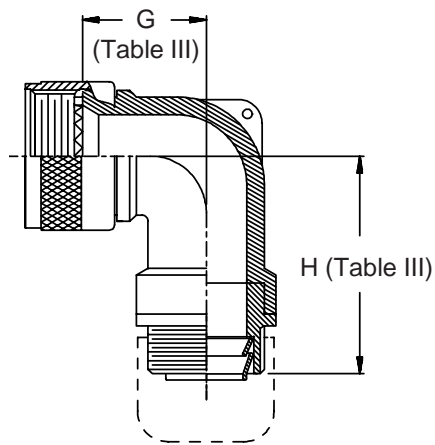
**STYLE 2  
 (STRAIGHT  
 See Note 1)**



**STYLE 2  
 (45° & 90°  
 See Note 1)**



**-445** Now Available with the "NESTOR"  
 Glenair's Non-Detent, Spring-Loaded, Self-Locking Coupling. Add "-445" to Specify This AS85049 Style "N" Coupling Interface.



**380-018**  
**EMI/RFI Non-Environmental Backshell**  
 with Strain Relief  
 Type E - Rotatable Coupling - Low Profile



See inside back cover fold-out or pages 13 and 14 for unabridged Tables I and II.

| TABLE III: ELBOW DIMENSIONS |    |              |              |              |              |  |
|-----------------------------|----|--------------|--------------|--------------|--------------|--|
| Shell Size                  |    | E<br>Max     | F<br>Max     | G<br>Max     | H<br>Max     |  |
| Conn. Desig.<br>A-F-L-S     | H  |              |              |              |              |  |
| 08                          | 09 | .457 (11.6)  | 1.470 (37.3) | .500 (12.7)  | 1.480 (37.6) |  |
| 10                          | 11 | .520 (13.2)  | 1.530 (38.9) | .595 (15.1)  | 1.600 (40.6) |  |
| 12                          | 13 | .582 (14.8)  | 1.590 (40.4) | .610 (15.5)  | 1.620 (41.1) |  |
| 14                          | 15 | .645 (16.4)  | 1.680 (42.7) | .700 (17.8)  | 1.690 (42.9) |  |
| 16                          | 17 | .738 (18.7)  | 1.790 (45.5) | .885 (22.5)  | 1.950 (49.5) |  |
| 18                          | 19 | .926 (23.5)  | 1.980 (50.3) | .975 (24.8)  | 2.060 (52.3) |  |
| 20                          | 21 | .926 (23.5)  | 1.980 (50.3) | .975 (24.8)  | 2.060 (52.3) |  |
| 22                          | 23 | 1.020 (25.9) | 2.130 (54.1) | 1.125 (28.6) | 2.060 (52.3) |  |
| 24                          | 25 | 1.020 (25.9) | 2.130 (54.1) | 1.125 (28.6) | 2.060 (52.3) |  |

| TABLE II: STANDARD FINISHES                            |  |
|--|--|
| GLENAIR SYMBOL   | FINISH   |
| B  | Cadmium Plate, Olive Drab                            |
| M  | Electroless Nickel                                   |
| NF   | Cadmium Plate, Olive Drab<br>Over Electroless Nickel |
| See Inside Back Cover<br>for Additional Finish Options |  |

| TABLE X: CABLE ENTRY |              |              |              |              |              |              |
|----------------------|--------------|--------------|--------------|--------------|--------------|--------------|
| Dash No.             | T<br>Max     | V<br>Max     | Cable Range  |              |              |              |
|                      |              |              | Min          | Max          | Min          | Max          |
| 04                   | .780 (19.8)  | .957 (24.3)  | .125 (3.2)   | .312 (7.9)   | .125 (3.2)   | .312 (7.9)   |
| 06                   | .780 (19.8)  | 1.145 (29.1) | .250 (6.4)   | .437 (11.1)  | .250 (6.4)   | .437 (11.1)  |
| 08                   | .780 (19.8)  | 1.332 (33.8) | .312 (7.9)   | .562 (14.3)  | .312 (7.9)   | .562 (14.3)  |
| 10                   | .780 (19.8)  | 1.332 (33.8) | .350 (8.9)   | .625 (15.9)  | .350 (8.9)   | .625 (15.9)  |
| 12                   | .811 (20.6)  | 1.551 (39.4) | .500 (12.7)  | .750 (19.1)  | .500 (12.7)  | .750 (19.1)  |
| 16                   | .905 (23.0)  | 1.770 (45.0) | .625 (15.9)  | .937 (23.8)  | .625 (15.9)  | .937 (23.8)  |
| 20                   | 1.092 (27.7) | 2.113 (53.7) | .875 (22.2)  | 1.250 (31.8) | .875 (22.2)  | 1.250 (31.8) |
| 24                   | 1.124 (28.5) | 2.363 (60.0) | 1.000 (25.4) | 1.375 (34.9) | 1.000 (25.4) | 1.375 (34.9) |
| 28                   | 1.399 (35.5) | 2.770 (70.4) | 1.250 (31.8) | 1.625 (41.3) | 1.250 (31.8) | 1.625 (41.3) |
| 32                   | 1.399 (35.5) | 3.020 (76.7) | 1.437 (36.5) | 1.875 (47.6) | 1.437 (36.5) | 1.875 (47.6) |

1. When maximum cable entry (page 21) is exceeded, Style 2 will be supplied. Dimensions E, F, G and H will not apply. Please consult factory.
2. Metric dimensions (mm) are indicated in parentheses.
3. Cable range is defined as the accommodations range for the wire bundle or cable. Dimensions shown are not intended for inspection criteria.
4. Consult factory for shorter lengths on straight backshells.
5. Designate Symbol T for 3 ring termination of individual and overall braid. Designate D for standard 2 ring termination of individual or overall braid.

| TABLE XI: CABLE ENTRY |              |              |              |              |              |              |              |
|-----------------------|--------------|--------------|--------------|--------------|--------------|--------------|--------------|
| Dash No.              | W<br>Max     | X<br>Max     | Y<br>Max     | Z<br>Max     | Cable Range  |              |              |
|                       |              |              |              |              | Min**        | Max          | Max          |
| 03*                   | .437 (11.1)  | .760 (19.3)  | .843 (21.4)  | .630 (16.0)  | .156 (4.0)   | .250 (6.4)   | .250 (6.4)   |
| 04*                   | .437 (11.1)  | .760 (19.3)  | .906 (23.0)  | .755 (19.2)  | .188 (4.8)   | .312 (7.9)   | .312 (7.9)   |
| 06*                   | .500 (12.7)  | .760 (19.3)  | 1.093 (27.8) | .942 (23.9)  | .281 (7.1)   | .438 (11.1)  | .438 (11.1)  |
| 08                    | .563 (14.3)  | .760 (19.3)  | 1.187 (30.1) | 1.067 (27.1) | .344 (8.7)   | .562 (14.3)  | .562 (14.3)  |
| 10                    | .563 (14.3)  | .760 (19.3)  | 1.281 (32.5) | 1.192 (30.3) | .375 (9.5)   | .625 (15.9)  | .625 (15.9)  |
| 12                    | .563 (14.3)  | .760 (19.3)  | 1.500 (38.1) | 1.380 (35.1) | .438 (11.1)  | .750 (19.1)  | .750 (19.1)  |
| 16                    | .656 (16.7)  | 1.073 (27.3) | 1.719 (43.7) | 1.535 (39.0) | .562 (14.3)  | .938 (23.8)  | .938 (23.8)  |
| 20                    | .656 (16.7)  | 1.323 (33.6) | 2.062 (52.4) | 1.848 (46.9) | .750 (19.1)  | 1.250 (31.8) | 1.250 (31.8) |
| 24                    | .656 (16.7)  | 1.323 (33.6) | 2.312 (58.7) | 2.255 (57.3) | .781 (19.8)  | 1.375 (34.9) | 1.375 (34.9) |
| 28                    | 1.188 (30.2) | 1.572 (39.9) | 2.719 (69.1) | 2.505 (63.6) | .969 (24.6)  | 1.625 (41.3) | 1.625 (41.3) |
| 32*                   | 1.187 (30.1) | 1.572 (39.9) | 2.969 (75.4) | 2.755 (70.0) | 1.125 (28.6) | 1.875 (47.6) | 1.875 (47.6) |
| 40*                   | 1.125 (28.6) | 1.572 (39.9) | 3.531 (89.7) | 3.255 (82.7) | 1.469 (37.3) | 2.375 (60.3) | 2.375 (60.3) |

\* Not available in Style M clamp.      \*\* Not Applicable Style D