



380-100 Composite Cone and Ring Style EMI/RFI Shield Termination Backshell with Self-Locking Rotatable Coupling and Qwik Clamp

A

| CONNECTOR DESIGNATOR: | |
|---------------------------|---|
| A | MIL-DTL-5015, -26482 Series II, and -83723 Series I and III |
| F | MIL-DTL-38999 Series I, II |
| L | MIL-DTL-38999 Series 1.5 (JN1003) |
| H | MIL-DTL-38999 Series III and IV |
| G | MIL-DTL-28840 |
| U | DG123 and DG123A |
| SELF-LOCKING | |
| ROTATABLE COUPLING | |
| STANDARD PROFILE | |

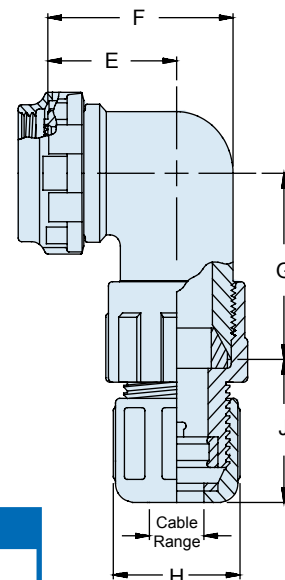
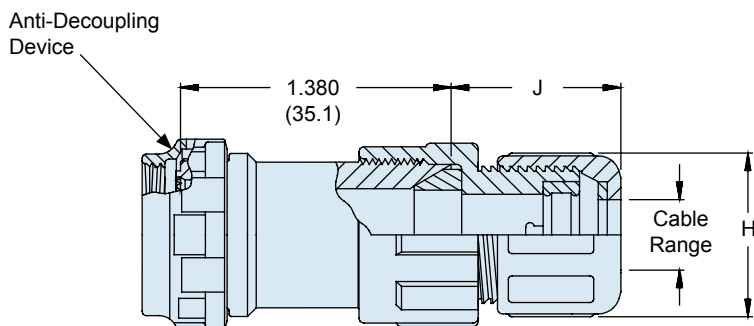
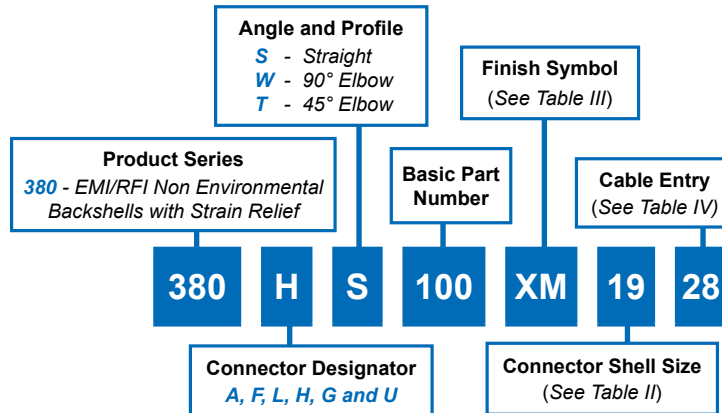


TABLE II: CONNECTOR SHELL SIZE

| Shell Size For | | | | | E | F | G | Max Entry |
|----------------------|-----|----|----|----|-------------|-------------|-------------|------------|
| Connector Designator | | | | | | | | |
| A | F/L | H | G | U | ± .06 (1.5) | ± .09 (2.3) | ± .09 (2.3) | Dash No.** |
| 08 | 08 | 09 | - | - | .69 (17.5) | .88 (22.4) | 1.06 (26.9) | 08 |
| 10 | 10 | 11 | - | 08 | .75 (19.1) | 1.00 (25.4) | 1.13 (28.7) | 12 |
| 12 | 12 | 13 | 11 | 10 | .81 (20.6) | 1.13 (28.7) | 1.19 (30.2) | 16 |
| 14 | 14 | 15 | 13 | 12 | .88 (22.4) | 1.31 (33.3) | 1.25 (31.8) | 20 |
| 16 | 16 | 17 | 15 | 14 | .94 (23.9) | 1.38 (35.1) | 1.31 (33.3) | 24 |
| 18 | 18 | 19 | 17 | 16 | .97 (24.6) | 1.44 (36.6) | 1.34 (34.0) | 28 |
| 20 | 20 | 21 | 19 | 18 | 1.06 (26.9) | 1.63 (41.4) | 1.44 (36.6) | 32 |
| 22 | 22 | 23 | - | 20 | 1.13 (28.7) | 1.75 (44.5) | 1.50 (38.1) | 36 |
| 24 | 24 | 25 | 23 | 22 | 1.19 (30.2) | 1.88 (47.8) | 1.56 (39.6) | 40 |
| 28 | - | - | 25 | 24 | 1.34 (34.0) | 2.13 (54.1) | 1.66 (42.2) | 44 |

**Consult factory for additional entry sizes available.
See introduction for additional connector front-end details.

US PATENT 5211576

380-100
Composite Cone and Ring Style
EMI/RFI Shield Termination Backshell
with Self-Locking Rotatable Coupling and Qwik Clamp

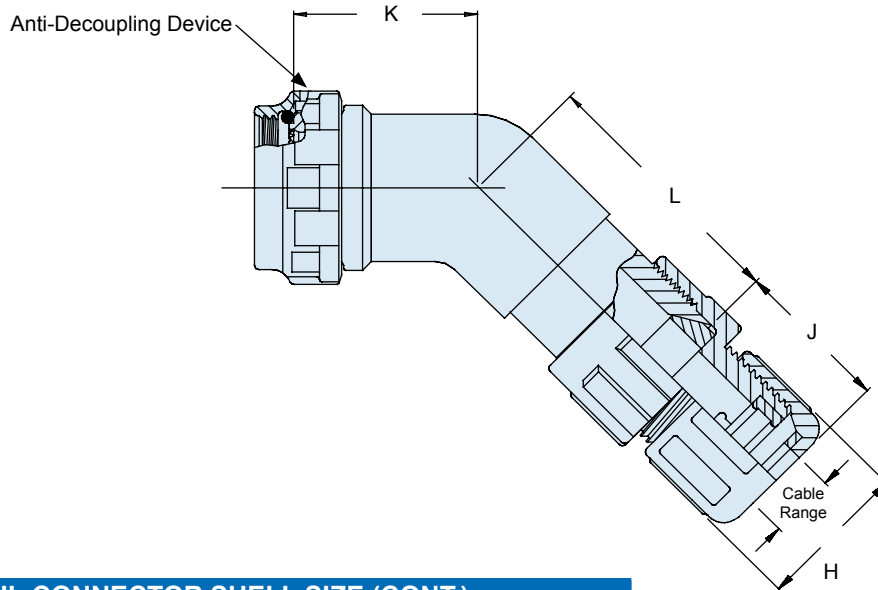


TABLE II: CONNECTOR SHELL SIZE (CONT.)

| Shell Size For Connector Designator | | K | | L | | Max Entry Dash No. * |
|-------------------------------------|----|-------|--------|-------|--------|----------------------|
| A & F/L | H | ± .06 | (1.5) | ± .06 | (1.5) | |
| 08 | 09 | .72 | (18.3) | .88 | (22.4) | 08 |
| 10 | 11 | .75 | (19.1) | .94 | (23.9) | 12 |
| 12 | 13 | .75 | (19.1) | 1.00 | (25.4) | 16 |
| 14 | 15 | .76 | (19.3) | 1.03 | (26.2) | 20 |
| 16 | 17 | .78 | (19.8) | 1.06 | (26.9) | 24 |
| 18 | 19 | .79 | (20.1) | 1.07 | (27.2) | 28 |
| 20 | 21 | .82 | (20.8) | 1.09 | (27.7) | 32 |
| 22 | 23 | .86 | (21.8) | 1.14 | (29.0) | 36 |
| 24 | 25 | .92 | (23.4) | 1.17 | (29.7) | 40 |

* Consult factory for additional entry sizes available.

NOTES

1. Coupling nut supplied unplated.
2. See Table I in Intro for front-end dimensional details.
3. Metric dimensions (mm) are in parentheses and are for reference only.

TABLE IV: CABLE ENTRY

| Entry Code | H (Max) | J (Max) | Cable Range | | | |
|------------|-------------|-------------|-------------|-------------|-------------|-------------|
| | | | Minimum | Maximum | Minimum | Maximum |
| 08 | .72 (18.3) | .87 (22.1) | .10 (2.5) | .25 (6.4) | .10 (2.5) | .25 (6.4) |
| 12 | .91 (23.1) | 1.01 (25.7) | .20 (5.1) | .38 (9.7) | .20 (5.1) | .38 (9.7) |
| 16 | 1.09 (27.7) | 1.11 (28.2) | .33 (8.4) | .50 (12.7) | .33 (8.4) | .50 (12.7) |
| 20 | 1.22 (31.0) | 1.11 (28.2) | .45 (11.4) | .63 (15.9) | .45 (11.4) | .63 (15.9) |
| 24 | 1.34 (34.0) | 1.11 (28.2) | .52 (13.2) | .75 (19.1) | .52 (13.2) | .75 (19.1) |
| 28 | 1.53 (38.9) | 1.26 (32.0) | .64 (16.3) | .88 (22.2) | .64 (16.3) | .88 (22.2) |
| 32 | 1.72 (43.7) | 1.41 (35.8) | .77 (19.6) | 1.00 (25.4) | .77 (19.6) | 1.00 (25.4) |
| 36 | 1.85 (47.0) | 1.41 (35.8) | .86 (21.8) | 1.13 (28.6) | .86 (21.8) | 1.13 (28.6) |
| 40 | 1.97 (50.0) | 1.41 (35.8) | .98 (24.9) | 1.25 (31.8) | .98 (24.9) | 1.25 (31.8) |
| 44 | 2.09 (53.1) | 1.53 (38.9) | 1.13 (28.6) | 1.38 (34.9) | 1.13 (28.6) | 1.38 (34.9) |

TABLE III: FINISH

| Symbol | Finish Description |
|--------|--|
| XM | 2000 Hour Corrosion Resistant Electroless Nickel |
| XMT | 2000 Hour Corrosion Resistant Ni-PTFE, Nickel-Fluorocarbon Polymer. <i>1000 Hour Grey™</i> |
| XW | 2000 Hour Corrosion Resistant Cadmium/Olive Drab over Electroless Nickel |