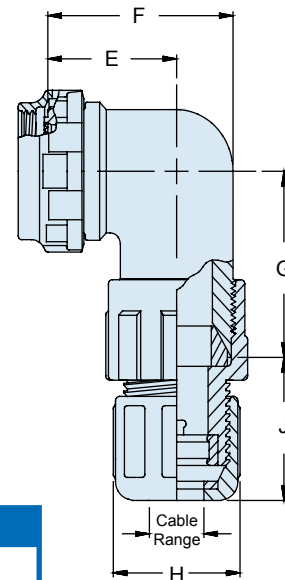
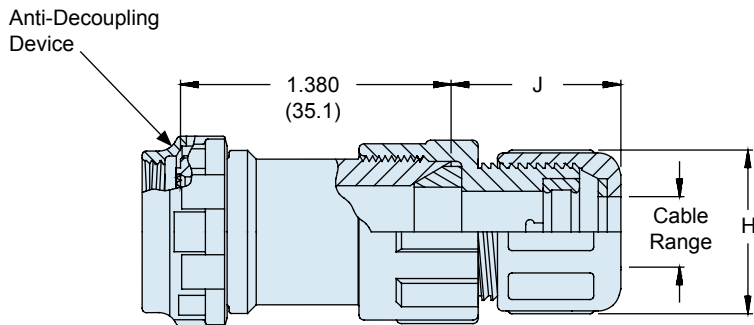
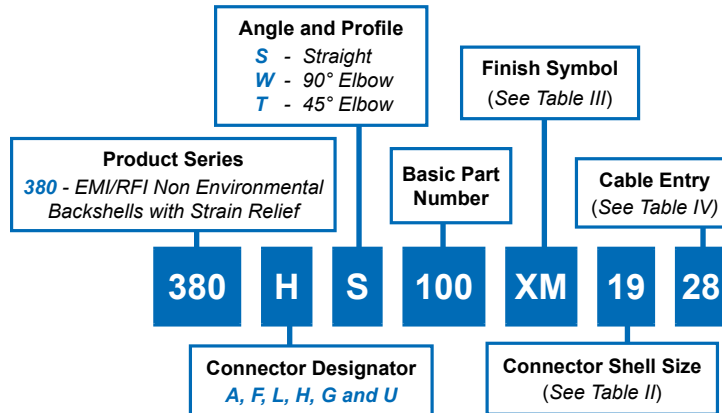


# 380-100 Composite Cone and Ring Style EMI/RFI Shield Termination Backshell with Self-Locking Rotatable Coupling and Qwik Clamp

A

CONNECTOR DESIGNATOR:	
<b>A</b>	MIL-DTL-5015, -26482 Series II, and -83723 Series I and III
<b>F</b>	MIL-DTL-38999 Series I, II
<b>L</b>	MIL-DTL-38999 Series 1.5 (JN1003)
<b>H</b>	MIL-DTL-38999 Series III and IV
<b>G</b>	MIL-DTL-28840
<b>U</b>	DG123 and DG123A
<b>SELF-LOCKING</b>	
<b>ROTATABLE COUPLING</b>	
<b>STANDARD PROFILE</b>	



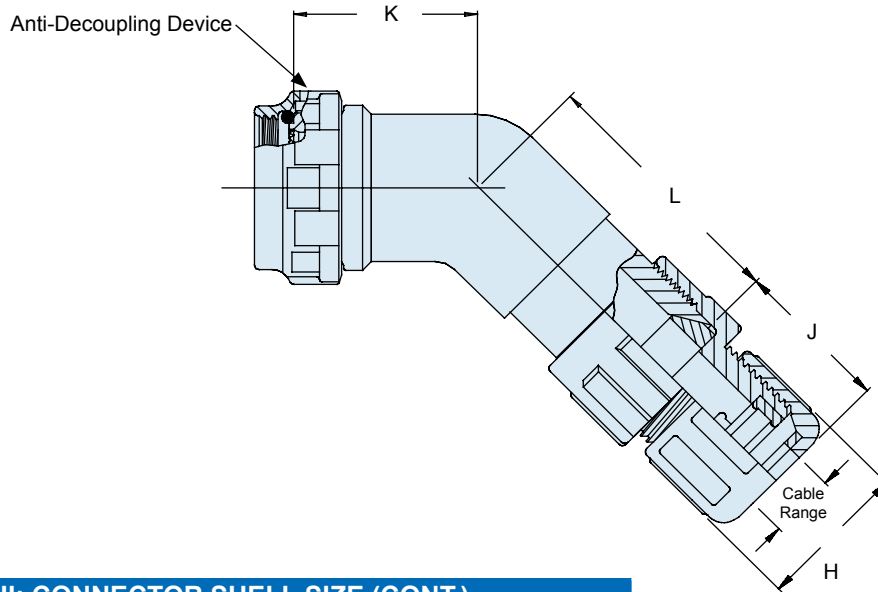
**TABLE II: CONNECTOR SHELL SIZE**

Shell Size For Connector Designator					E	F	G	Max Entry
A	F/L	H	G	U	± .06 (1.5)	± .09 (2.3)	± .09 (2.3)	Dash No.**
08	08	09	-	-	.69 (17.5)	.88 (22.4)	1.06 (26.9)	08
10	10	11	-	08	.75 (19.1)	1.00 (25.4)	1.13 (28.7)	12
12	12	13	11	10	.81 (20.6)	1.13 (28.7)	1.19 (30.2)	16
14	14	15	13	12	.88 (22.4)	1.31 (33.3)	1.25 (31.8)	20
16	16	17	15	14	.94 (23.9)	1.38 (35.1)	1.31 (33.3)	24
18	18	19	17	16	.97 (24.6)	1.44 (36.6)	1.34 (34.0)	28
20	20	21	19	18	1.06 (26.9)	1.63 (41.4)	1.44 (36.6)	32
22	22	23	-	20	1.13 (28.7)	1.75 (44.5)	1.50 (38.1)	36
24	24	25	23	22	1.19 (30.2)	1.88 (47.8)	1.56 (39.6)	40
28	-	-	25	24	1.34 (34.0)	2.13 (54.1)	1.66 (42.2)	44

\*\*Consult factory for additional entry sizes available.  
See introduction for additional connector front-end details.

**US PATENT 5211576**

**380-100**  
**Composite Cone and Ring Style**  
**EMI/RFI Shield Termination Backshell**  
**with Self-Locking Rotatable Coupling and Qwik Clamp**



**TABLE II: CONNECTOR SHELL SIZE (CONT.)**

Shell Size For Connector Designator		K		L		Max Entry Dash No. *
A & F/L	H	± .06	(1.5)	± .06	(1.5)	
08	09	.72	(18.3)	.88	(22.4)	08
10	11	.75	(19.1)	.94	(23.9)	12
12	13	.75	(19.1)	1.00	(25.4)	16
14	15	.76	(19.3)	1.03	(26.2)	20
16	17	.78	(19.8)	1.06	(26.9)	24
18	19	.79	(20.1)	1.07	(27.2)	28
20	21	.82	(20.8)	1.09	(27.7)	32
22	23	.86	(21.8)	1.14	(29.0)	36
24	25	.92	(23.4)	1.17	(29.7)	40

\* Consult factory for additional entry sizes available.

**NOTES**

1. Coupling nut supplied unplated.
2. See Table I in Intro for front-end dimensional details.
3. Metric dimensions (mm) are in parentheses and are for reference only.

**TABLE IV: CABLE ENTRY**

Entry Code	H (Max)	J (Max)	Cable Range		
			Minimum	Maximum	
08	.72 (18.3)	.87 (22.1)	.10 (2.5)	.25 (6.4)	
12	.91 (23.1)	1.01 (25.7)	.20 (5.1)	.38 (9.7)	
16	1.09 (27.7)	1.11 (28.2)	.33 (8.4)	.50 (12.7)	
20	1.22 (31.0)	1.11 (28.2)	.45 (11.4)	.63 (15.9)	
24	1.34 (34.0)	1.11 (28.2)	.52 (13.2)	.75 (19.1)	
28	1.53 (38.9)	1.26 (32.0)	.64 (16.3)	.88 (22.2)	
32	1.72 (43.7)	1.41 (35.8)	.77 (19.6)	1.00 (25.4)	
36	1.85 (47.0)	1.41 (35.8)	.86 (21.8)	1.13 (28.6)	
40	1.97 (50.0)	1.41 (35.8)	.98 (24.9)	1.25 (31.8)	
44	2.09 (53.1)	1.53 (38.9)	1.13 (28.6)	1.38 (34.9)	

**TABLE III: FINISH**

Symbol	Finish Description
XM	2000 Hour Corrosion Resistant Electroless Nickel
XMT	2000 Hour Corrosion Resistant Ni-PTFE, Nickel-Fluorocarbon Polymer. 1000 Hour Grey™
XW	2000 Hour Corrosion Resistant Cadmium/Olive Drab over Electroless Nickel