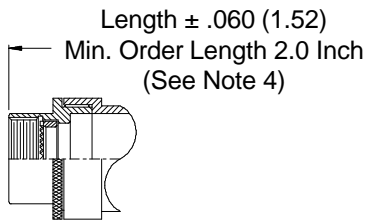
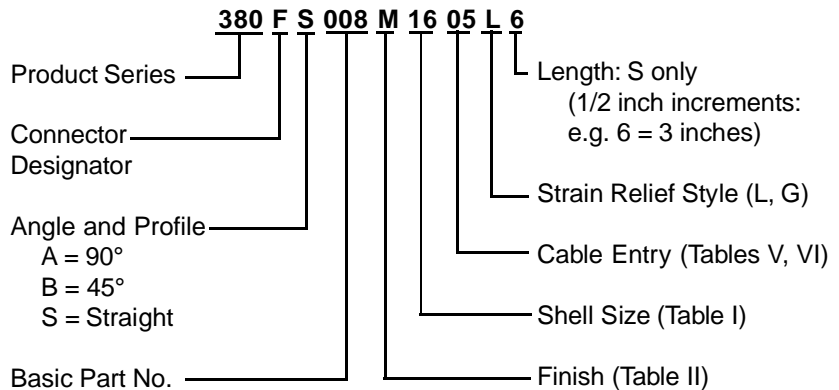


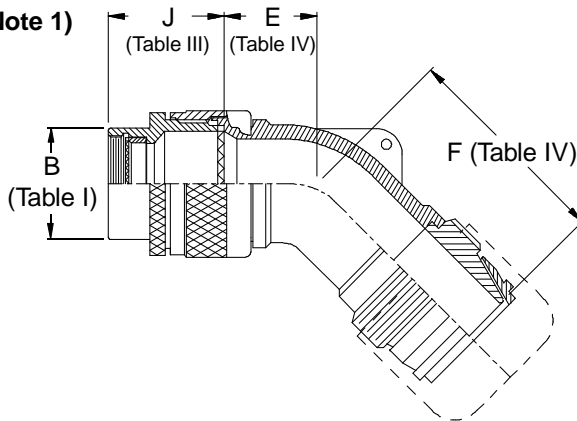
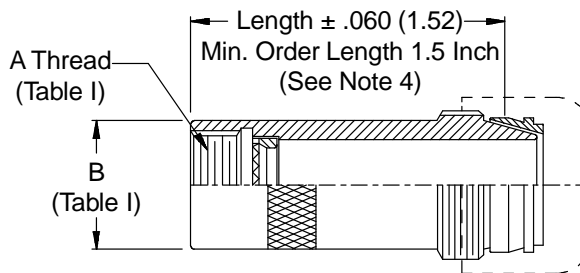
**CONNECTOR  
 DESIGNATORS**  
**A-B\*-C-D-E-F**  
**G-H-J-K-L-S**

\* Conn. Desig. B See Note 5  
**DIRECT COUPLING**

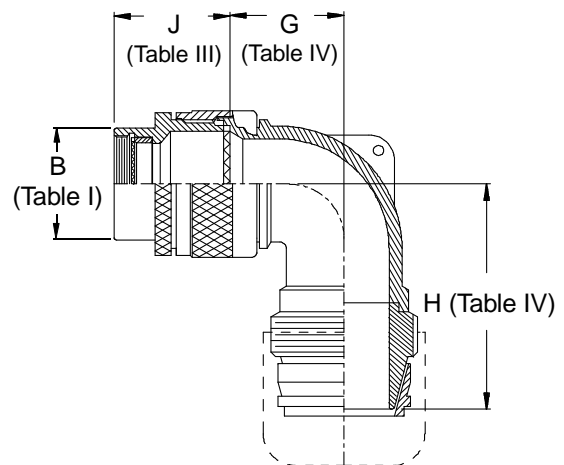
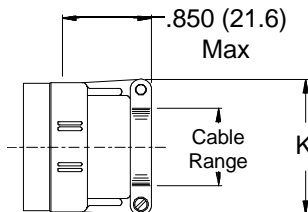
**TYPE C OVERALL  
 SHIELD TERMINATION**



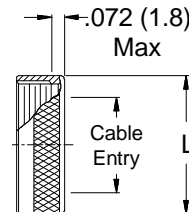
**STYLE 2**  
**(STRAIGHT)**  
 See Note 1)



**STYLE L**  
 Light Duty  
 (Table V)



**STYLE G**  
 Light Duty  
 (Table VI)



**380-008**  
**EMI/RFI Non-Environmental Backshell**  
**Light-Duty with Strain Relief**  
**Type C - Direct Coupling - Low Profile**



**TABLE III: FRONT ADAPTER**

| Shell Size | J Max - Conn. Designator |              |              |
|------------|--------------------------|--------------|--------------|
|            | A-E-F                    |              |              |
|            | J-H-L-S                  | D-B-G-K      | C            |
| 08/09      | 1.180 (30.0)             | 1.250 (31.8) |              |
| 10/11      | 1.180 (30.0)             | 1.250 (31.8) |              |
| 12/13      | 1.180 (30.0)             | 1.250 (31.8) | 1.735 (44.1) |
| 14/15      | 1.180 (30.0)             | 1.250 (31.8) | 1.915 (48.6) |
| 16/17      | 1.380 (35.0)             | 1.560 (39.6) | 1.915 (48.6) |
| 18/19      | 1.380 (35.0)             | 1.560 (39.6) | 1.915 (48.6) |
| 20/21      | 1.380 (35.0)             | 1.560 (39.6) | 1.915 (48.6) |
| 22/23      | 1.380 (35.0)             | 1.560 (39.6) | 1.915 (48.6) |
| 24/25      | 1.380 (35.0)             | 1.560 (39.6) | 1.915 (48.6) |
| 28/29      | 1.610 (40.9)             | 1.560 (39.6) | 1.915 (48.6) |
| 32/33      | 1.610 (40.9)             | 1.750 (44.5) | 1.915 (48.6) |
| 36         | 1.610 (40.9)             | 1.750 (44.5) | 1.915 (48.6) |
| 40         | 1.610 (40.9)             | 2.190 (55.6) | 1.915 (48.6) |

See inside back cover fold-out or pages 13 and 14 for un-abridged Tables I and II.

1. When maximum cable entry (page 22) is exceeded, Style 2 will be supplied. (Function S only).
2. Metric dimensions (mm) are indicated in parentheses.
3. Cable range is defined as the accommodations range for the wire bundle or cable. Dimensions shown are not intended for inspection criteria.
4. Consult factory for shorter lengths on straight backshells.
5. When using Connector Designator B refer to pages 18 and 19 for part number development.

**TABLE IV: ELBOW DIMENSIONS**

| Elbow Size | E Max        | F Max        | G Max        | H Max        |
|------------|--------------|--------------|--------------|--------------|
| 01         | .457 (11.6)  | 1.680 (42.7) | .636 (16.2)  | 1.781 (45.2) |
| 02         | .457 (11.6)  | 1.680 (42.7) | .636 (16.2)  | 1.781 (45.2) |
| 03         | .520 (13.2)  | 1.740 (44.2) | .709 (18.0)  | 1.901 (48.3) |
| 04         | .582 (14.8)  | 1.800 (45.7) | .734 (18.6)  | 1.921 (48.8) |
| 05         | .738 (18.7)  | 2.000 (50.8) | .825 (21.0)  | 1.991 (50.6) |
| 06         | .926 (23.5)  | 2.190 (55.6) | .990 (25.1)  | 2.081 (52.9) |
| 07         | .926 (23.5)  | 2.190 (55.6) | 1.090 (27.7) | 2.251 (57.2) |
| 08         | 1.020 (25.9) | 2.340 (59.4) | 1.325 (33.7) | 2.361 (60.0) |
| 09         | 1.020 (25.9) | 2.340 (59.4) | 1.325 (33.7) | 2.361 (60.0) |
| 10         | 1.145 (29.1) | 2.390 (60.7) | 1.325 (33.7) | 2.361 (60.0) |

**TABLE II: STANDARD FINISHES**

| GLENAIR SYMBOL | FINISH  |
|----------------|---|
| B              | Cadmium Plate, Olive Drab                         |
| M              | Electroless Nickel                                |
| NF             | Cadmium Plate, Olive Drab Over Electroless Nickel |

See Inside Back Cover for Additional Finish Options

**TABLE V: CABLE ENTRY**

| Dash No. | K Max        | Cable Range |              |
|----------|--------------|-------------|--------------|
|          |              | Min         | Max          |
| 01       | .781 (19.8)  | .062 (1.6)  | .125 (3.2)   |
| 02       | .968 (24.6)  | .125 (3.2)  | .250 (6.4)   |
| 03       | 1.046 (26.6) | .250 (6.4)  | .375 (9.5)   |
| 04       | 1.156 (29.4) | .250 (6.4)  | .500 (12.7)  |
| 05       | 1.218 (30.9) | .375 (9.5)  | .625 (15.9)  |
| 06       | 1.343 (34.1) | .500 (12.7) | .750 (19.1)  |
| 07       | 1.468 (37.3) | .625 (15.9) | .875 (22.2)  |
| 08       | 1.593 (40.5) | .625 (15.9) | 1.000 (25.4) |
| 09       | 1.718 (43.6) | .750 (19.1) | 1.125 (28.6) |
| 10       | 1.843 (46.8) | .875 (22.2) | 1.250 (31.8) |

**TABLE VI: CABLE ENTRY**

| Dash No. | L Max        | Cable Entry Max |
|----------|--------------|-----------------|
| 01       | .593 (15.1)  | .125 (3.2)      |
| 02       | .718 (18.2)  | .250 (6.4)      |
| 03       | .843 (21.4)  | .375 (9.5)      |
| 04       | .968 (24.6)  | .500 (12.7)     |
| 05       | 1.109 (28.2) | .625 (15.9)     |
| 06       | 1.218 (30.9) | .750 (19.1)     |
| 07       | 1.343 (34.1) | .875 (22.2)     |
| 08       | 1.468 (37.3) | 1.000 (25.4)    |
| 09       | 1.593 (40.5) | 1.125 (28.6)    |
| 10       | 1.718 (43.6) | 1.250 (31.8)    |