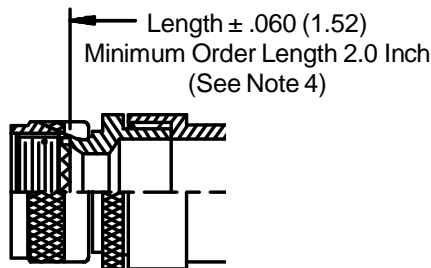
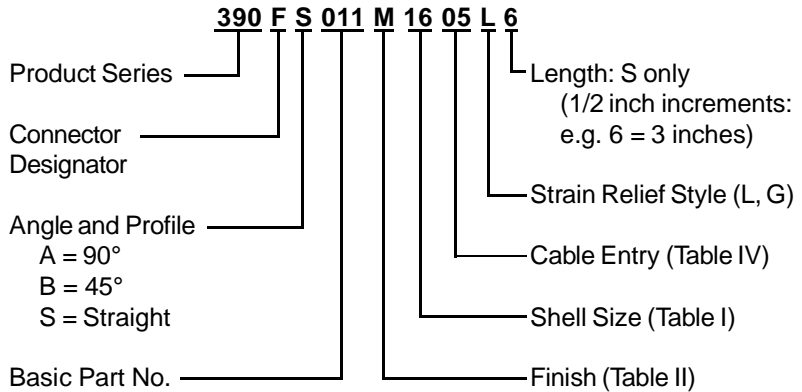


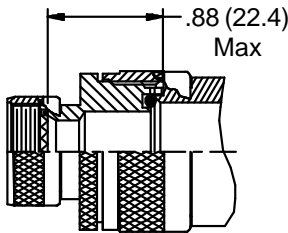
**CONNECTOR  
 DESIGNATORS  
 A-F-H-L-S**

**ROTATABLE  
 COUPLING**

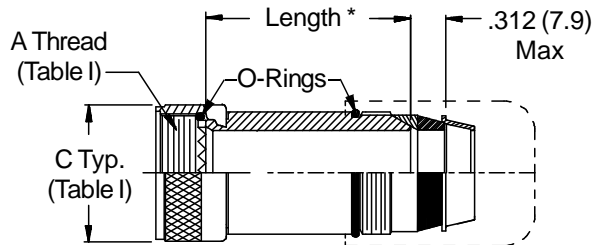
**TYPE C OVERALL  
 SHIELD TERMINATION**



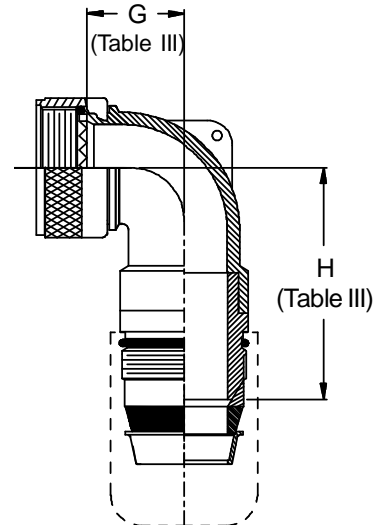
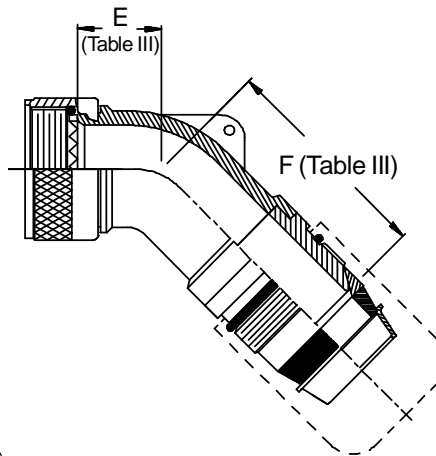
**STYLE 2  
 (STRAIGHT  
 See Note 1)**



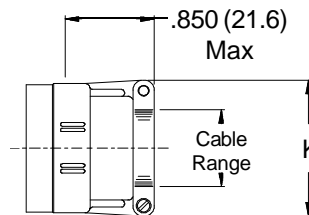
**STYLE 2  
 (45° & 90°  
 See Note 1)**



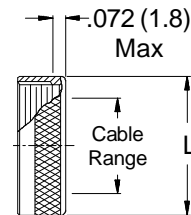
\* Length  $\pm .060$  (1.52)  
 Minimum Order Length 1.5 Inch  
 (See Note 4)



**STYLE L  
 Light Duty  
 (Table IV)**



**STYLE G  
 Light Duty  
 (Table IV)**



**-445** Now Available with the "NESTOR"  
**Glenair's Non-Detent, Spring-Loaded, Self-Locking Coupling.**  
 Add "-445" to Specify This AS85049 Style "N" Coupling Interface.

**390-011**  
**Splash-Proof EMI/RFI Cable Sealing Backshell**  
**Light-Duty with Strain Relief**  
**Type C - Rotatable Coupling - Low Profile**



See inside back cover fold-out or pages 13 and 14 for Tables I and II.

TABLE III: ELBOW DIMENSIONS						
Shell Size		E Max	F Max	G Max	H Max	
Conn. Desig. A-F-L-S	H					
08	09			.500 (12.7)	1.698 (43.1)	
10	11	.520 (13.2)	1.748 (44.4)	.595 (15.1)	1.818 (46.2)	
12	13	.582 (14.8)	1.808 (45.9)	.610 (15.5)	1.838 (46.7)	
14	15	.645 (16.4)	1.898 (48.2)	.700 (17.8)	1.908 (48.5)	
16	17	.738 (18.7)	2.008 (51.0)	.885 (22.5)	1.998 (50.7)	
18	19	.926 (23.5)	2.198 (55.8)	.975 (24.8)	2.168 (55.1)	
20	21	.926 (23.5)	2.198 (55.8)	.975 (24.8)	2.168 (55.1)	
22	23	1.020 (25.9)	2.348 (59.6)	1.125 (28.6)	2.278 (57.9)	
24	25	1.020 (25.9)	2.348 (59.6)	1.125 (28.6)	2.278 (57.9)	
28		1.145 (29.1)	2.398 (60.9)	1.225 (31.1)	2.448 (62.2)	
32		1.207 (30.7)	2.498 (63.4)	1.575 (40.0)	2.698 (68.5)	
36		1.238 (31.4)	2.588 (65.7)	1.775 (45.1)	2.698 (68.5)	

TABLE IV: CABLE ENTRY						
Dash No.	K Max	L Max	Cable Range			
			Min	Max		
01	.781 (19.8)	.593 (15.1)	.062 (1.6)	.125 (3.2)		
02	.968 (24.6)	.718 (18.2)	.125 (3.2)	.250 (6.4)		
03	1.046 (26.6)	.843 (21.4)	.250 (6.4)	.375 (9.5)		
04	1.156 (29.4)	.968 (24.6)	.375 (9.5)	.500 (12.7)		
05	1.218 (30.9)	1.109 (28.2)	.500 (12.7)	.625 (15.9)		
06	1.343 (34.1)	1.218 (30.9)	.625 (15.9)	.750 (19.1)		
07	1.468 (37.3)	1.343 (34.1)	.750 (19.1)	.875 (22.2)		
08	1.593 (40.5)	1.468 (37.3)	.875 (22.2)	1.000 (25.4)		
09	1.718 (43.6)	1.593 (40.5)	1.000 (25.4)	1.125 (28.6)		
10	1.843 (46.8)	1.718 (43.6)	1.125 (28.6)	1.250 (31.8)		

1. When maximum cable entry (page 21) is exceeded, Style 2 will be supplied. Dimensions E, F, G and H will not apply. Please consult factory.
2. Metric dimensions (mm) are indicated in parentheses.
3. Cable range is defined as the accommodations range for the wire bundle or cable. Dimensions shown are not intended for inspection criteria.
4. Consult factory for shorter lengths on straight backshells.
5. Interface O-Ring not supplied with Connector Designator A.