

**PLEASE CHECK WWW.MOLEX.COM FOR LATEST PART INFORMATION**

**Part Number:** [0015040293](#)  
**Status:** **Active**  
**Description:** Universal Polarizing Key, White

**Documents:**  
[Drawing \(PDF\)](#)

[RoHS Certificate of Compliance \(PDF\)](#)

**General**

Product Family	Accessories
Series	40713
Comments	Delivered on a Carrier With 20 Parts per Strip
Component Type	Polarizing Key
Product Name	MX-50™

**Physical**

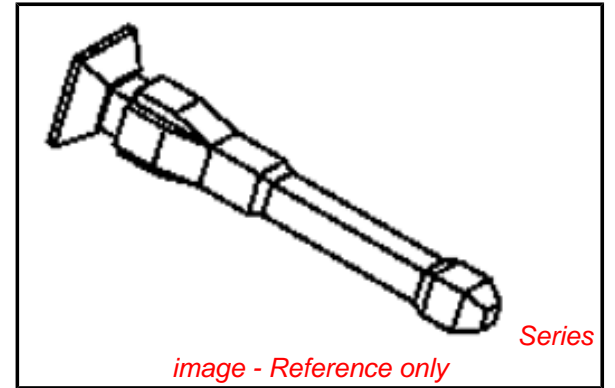
Circuits (Loaded)	1
Lock to Mating Part	No
Packaging Type	Bag

**Material Info**

Old Part Number	40713-02
-----------------	----------

**Reference - Drawing Numbers**

Sales Drawing	SD-40713-**
---------------	-------------



**EU RoHS**

**ELV and RoHS  
Compliant**  
**REACH SVHC**  
 Not Reviewed  
**Halogen-Free  
Status**

**China RoHS**



**Need more information on product  
environmental compliance?**

Email [productcompliance@molex.com](mailto:productcompliance@molex.com)  
 For a multiple part number RoHS Certificate of  
 Compliance, [click here](#)

Please visit the [Contact Us](#) section for any  
 non-product compliance questions.

**Search Parts in this Series**

[40713Series](#)

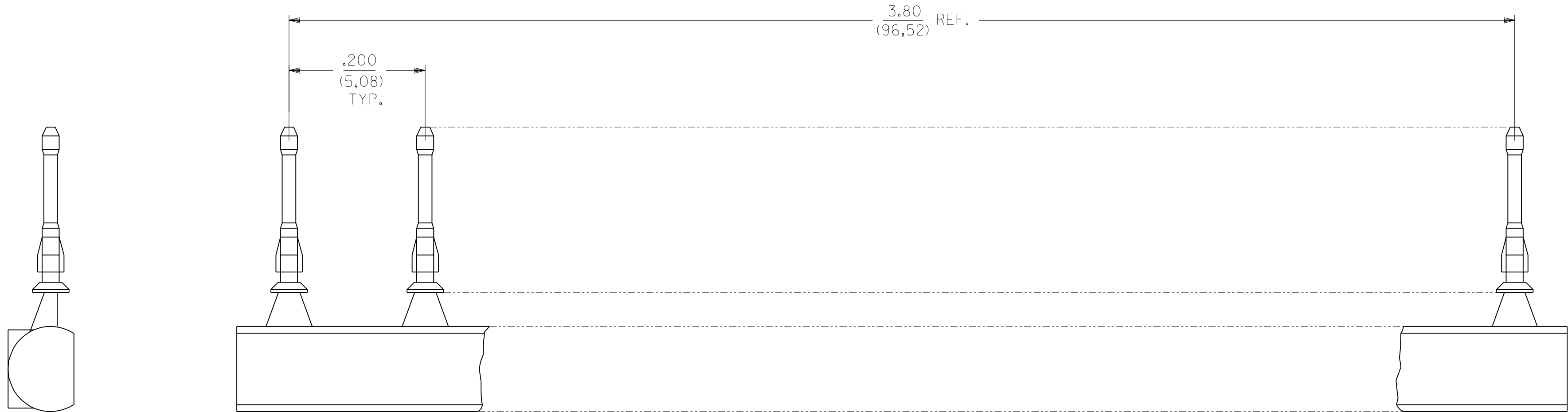
**Use With**

[70066 SL™](#) Crimp Housing, . [70450 SL™](#)  
 Crimp Housing. [70400 C-Grid SL™](#) IDT  
 Connector Assembly. [70430 C-Grid SL™](#) .  
[71850 C-Grid®](#) Receptacle. [71395 C-Grid®](#)  
 PCB Connector

13 12 11 10 9 8 7 6 40713 4 3 2 1

J  
I  
H  
G  
F  
E  
D  
C  
B  
A

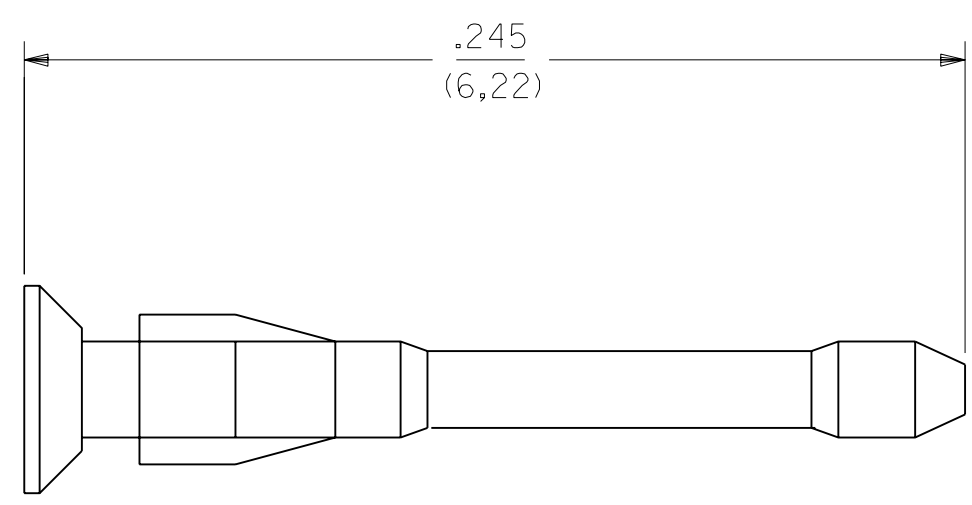
J  
I  
H  
G  
F  
E  
D  
C  
B  
A



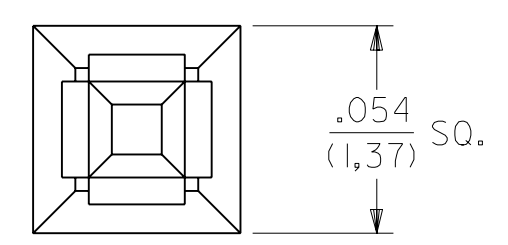
SCALE 8:1

NOTES:

1. MATERIAL: G.F. POLYESTER; UL 94V-0, COLOR: SEE CHART
2. TO BE USED WITH PRODUCT HAVING .032 - .038 SQ. PIN WINDOWS.
3. KEY IS MOLDED AS A 20-PIECE UNIT.
4. PART FUNCTIONS WITH OR WITHOUT PRESENCE OF CONTACT IN HOUSING.



SCALE 20:1



40713		ADD TO CAD	
		ECN UDT2001-0538	
		SCHAFFER 00/11/17	
D			

15-04-0293	WHITE
15-04-0292	BLACK
ORDER NO.	COLOR PIN MATERIAL

DIMENSIONS SHOWN (METRIC) INCH		▽ = 0	▼ = 0	REVISE ONLY ON CAD SYSTEM	
UNLESS OTHERWISE SPECIFIED TOLERANCES: ANGULAR ± 1/2°					
		INCH		METRIC	
3 PLACE	± .005	---		---	
2 PLACE	± .01	± 0,13		---	
1 PLACE	---	± 0,25		---	
DRAFT WHERE APPLICABLE MUST REMAIN WITHIN DIMENSIONS					
DRWG. BY: JJS	CHK'D. BY: DJB	FILE NAME		TITLE	
APP'D. BY: DJB	SCALE: 20:1	SEE CHART		UNIVERSAL POLARIZING PIN	
		PART NO. SD-40713-***		SHEET NO. 1 OF 1	
		MFG. SH. 60532		DATE 11/17/00	
		LITSLI, ILL. U.S.A.		DIV. DD	
		THIS DRAWING CONTAINS INFORMATION THAT IS PROPRIETARY TO MOLEX INC. AND SHOULD NOT BE USED WITHOUT WRITTEN PERMISSION.		SIZE C	

13 12 11 10 9 8 7 6 5 4 3 2 1