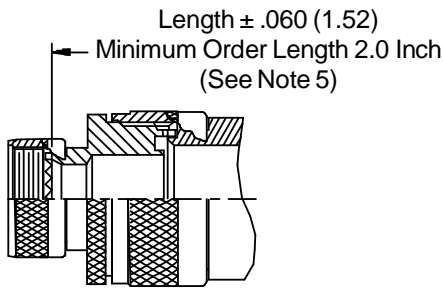
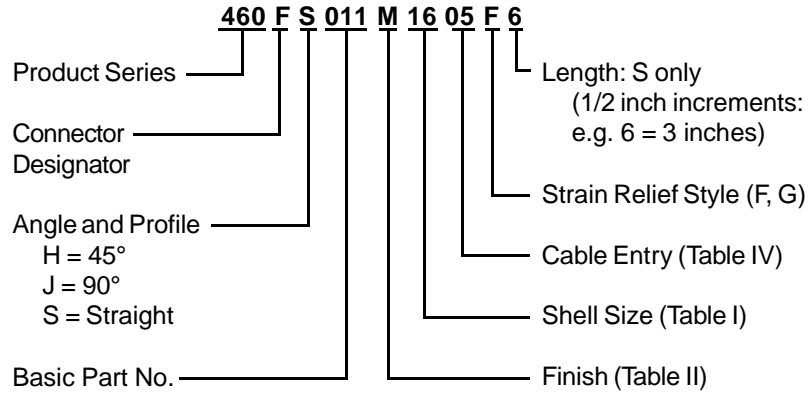
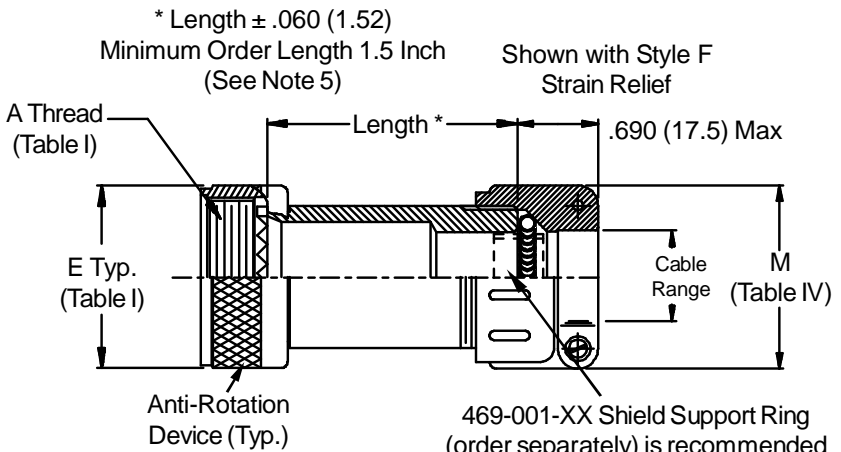


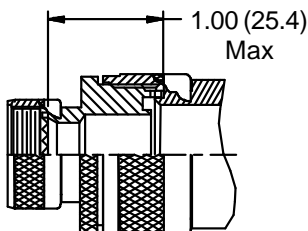
**CONNECTOR
 DESIGNATORS
 A-F-H-L-S
 SELF-LOCKING
 ROTATABLE
 COUPLING**



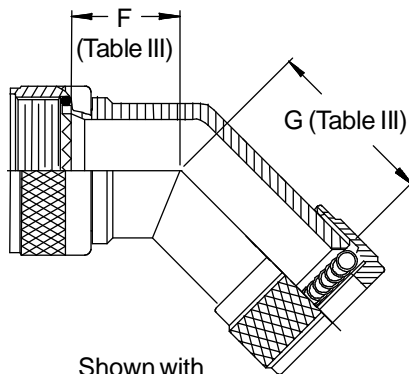
**STYLE 2
 (STRAIGHT
 See Note 1)**



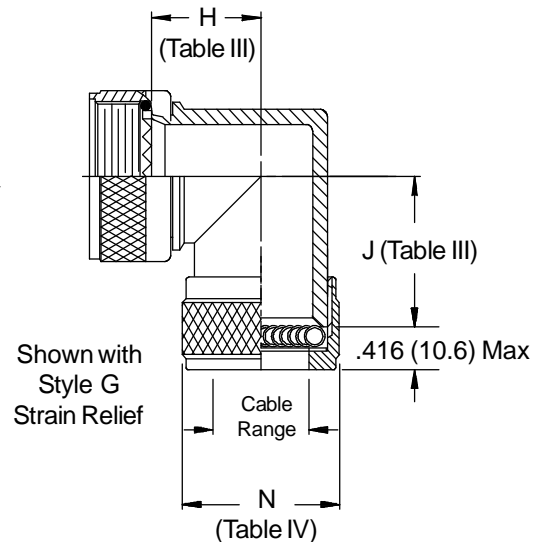
469-001-XX Shield Support Ring (order separately) is recommended for use in all G-Spring backshells (see page 463-8)



**STYLE 2
 (45° & 90°
 See Note 1)**



Shown with Style G Strain Relief



See inside back cover fold-out or pages 13 and 14 for Tables I and II.

TABLE III: ELBOW DIMENSIONS							
Shell Size		F	G	H	J		
Conn. Desig.	H					Max	Max
A-F-L-S							
08	09	.795 (20.2)	.950 (24.1)	.906 (23.0)	1.040 (26.4)		
10	11	.820 (20.8)	.980 (24.9)	.966 (24.5)	1.090 (27.7)		
12	13	.844 (21.4)	1.000 (25.4)	1.026 (26.1)	1.150 (29.2)		
14	15	.861 (21.9)	1.030 (26.2)	1.076 (27.3)	1.200 (30.5)		
16	17	.888 (22.6)	1.050 (26.7)	1.136 (28.9)	1.250 (31.8)		
18	19	.904 (23.0)	1.060 (26.9)	1.176 (29.9)	1.300 (33.0)		
20	21	.929 (23.6)	1.080 (27.4)	1.236 (31.4)	1.360 (34.5)		
22	23	.956 (24.3)	1.120 (28.4)	1.296 (32.9)	1.420 (36.1)		
24	25	.979 (24.9)	1.150 (29.2)	1.356 (34.4)	1.480 (37.6)		
28		1.197 (30.4)	1.270 (32.3)	1.636 (41.6)	1.600 (40.6)		
32		1.294 (32.9)	1.350 (34.3)	1.876 (47.7)	1.780 (45.2)		
36		1.340 (34.0)	1.515 (38.5)	1.986 (50.4)	1.890 (48.0)		

TABLE IV: CABLE ENTRY						
Dash No.	M	N	Cable Range			
			Max	Min	Max	Max
01	.843 (21.4)	.625 (15.9)	.156 (4.0)	.250 (6.4)		
02	.968 (24.6)	.750 (19.1)	.188 (4.8)	.375 (9.5)		
03	1.046 (26.6)	.875 (22.2)	.250 (6.4)	.438 (11.1)		
04	1.156 (29.4)	1.000 (25.4)	.280 (7.1)	.500 (12.7)		
05	1.218 (30.9)	1.125 (28.6)	.375 (9.5)	.625 (15.9)		
06	1.343 (34.1)	1.250 (31.8)	.500 (12.7)	.750 (19.1)		
07	1.468 (37.3)	1.375 (34.9)	.625 (15.9)	.875 (22.2)		
08	1.593 (40.5)	1.500 (38.1)	.750 (19.1)	1.000 (25.4)		
09	1.718 (43.6)	1.625 (41.3)	.875 (22.2)	1.125 (28.6)		
10	1.843 (46.8)	1.750 (44.5)	1.000 (25.4)	1.250 (31.8)		
11*	2.187 (55.5)	1.875 (47.6)	1.125 (28.6)	1.375 (34.9)		
12*	2.311 (58.7)	2.000 (50.8)	1.250 (31.8)	1.500 (38.1)		
13*	2.437 (61.9)	2.125 (54.0)	1.375 (34.9)	1.625 (41.3)		
14*	2.546 (64.7)	2.250 (57.2)	1.500 (38.1)	1.750 (44.5)		

* Consult factory for availability

1. Shield Support Ring (469-001-XX) is recommended for use in all G-Spring backshells (see page 463-8).
2. When maximum cable entry (page 21) is exceeded, Style 2 will be supplied. Dimensions E, F, G, and H will not apply. Please consult factory.
3. Metric dimensions (mm) are indicated in parentheses.
4. Cable range is defined as the accommodations range for the wire bundle or cable. Dimensions shown are not intended for inspection criteria.
5. Consult factory for shorter lengths on straight backshells.