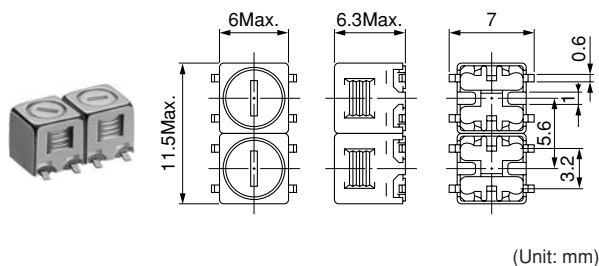


5CHLW Double Tuned, 5CHW Double Tuned, 5CHT Triple Tuned

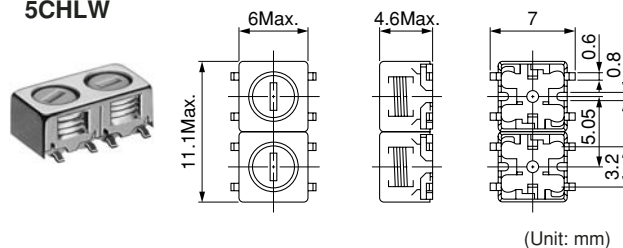
Frequency Range: 5CHLW 780~1150MHz

5CHW, 5CHT 400~520MHz

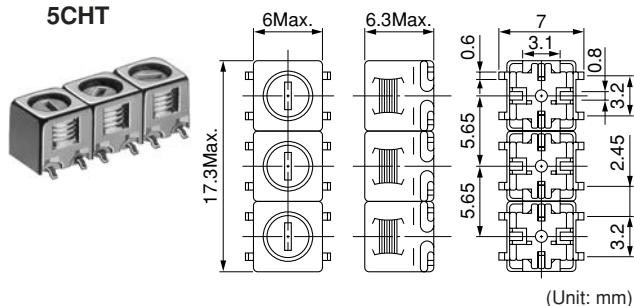
5CHW



5CHLW



5CHT



Features

- Compact low-profile helical filters for surface mounting, ideal for mobile communications equipment.
- RoHS compliant

Applications

- Surface mounting type: Cellular, cordless telephones, paging devices, etc.

特長

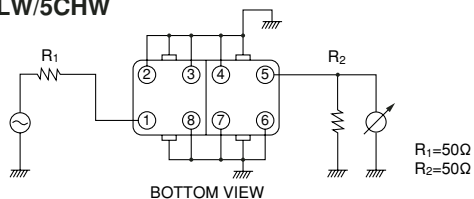
- 移動体通信用に最適な小型薄形の面実装形ヘリカルフィルタ
- RoHS 指令対応

用途

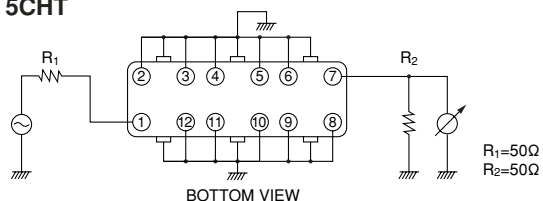
- 面実装タイプ：自動車電話、コードレス電話など

Test circuits 測定回路

5CHLW/5CHW



5CHT



continued from previous page
前頁より続く

SELECTION GUIDE FOR STANDARD FILTERS

TYPE 5CHLW (Double tuned)

| 東光品番 | 中心周波数 | 帯域幅 | 選択度 | | リップル | 挿入損失 |
|------------------|------------------------|-----------------------------|-----------------------|-----------------------|------------------|--------------------------|
| TOKO Part Number | Center Frequency (MHz) | Bandwidth (-1dB) (MHz) Min. | Selectivity | | Ripple (dB) Max. | Insertion Loss (dB) Max. |
| | | | Fo - 100MHz (dB) Min. | Fo + 100MHz (dB) Min. | | |
| 477MS-1031A | 832.5 | 25 | 25 | 18 | 1.0 | 2.5 |
| 477MS-1032A | 850 | 25 | 25 | 17 | 1.0 | 2.5 |
| 477MS-1033A | 870 | 25 | 25 | 18 | 1.0 | 2.5 |
| 477MS-1034A | 902.5 | 25 | 24 | 18 | 1.0 | 2.5 |
| 477MS-1035A | 915 | 25 | 25 | 18 | 1.0 | 2.5 |
| 477MS-1036A | 933 | 25 | 25 | 18 | 1.0 | 2.5 |
| 477MS-1037A | 947.5 | 25 | 25 | 18 | 1.0 | 2.5 |
| 477MS-1038A | 950 | 25 | 22 | 17 | 1.0 | 2.5 |

TYPE 5CHW (Double tuned)

| 東光品番 | 中心周波数 | 帯域幅 | 選択度 | | リップル | 挿入損失 |
|------------------|------------------------|-----------------------------|----------------------|----------------------|------------------|--------------------------|
| TOKO Part Number | Center Frequency (MHz) | Bandwidth (-1dB) (MHz) Min. | Selectivity | | Ripple (dB) Max. | Insertion Loss (dB) Max. |
| | | | Fo - 50MHz (dB) Min. | Fo + 50MHz (dB) Min. | | |
| 492S-1051A | 420 | 10 | 14 | 20 | 0.5 | 3.0 |
| 492S-1052A | 425 | 10 | 14 | 20 | 0.5 | 3.0 |
| 492S-1053A | 427 | 10 | 14 | 20 | 0.5 | 3.0 |
| 492S-1054A | 430 | 10 | 14 | 20 | 0.5 | 3.5 |
| 492S-1055A | 435 | 10 | 14 | 20 | 0.5 | 3.5 |
| 492S-1056A | 440 | 10 | 13 | 18 | 0.5 | 3.5 |
| 492S-1057A | 450 | 10 | 12 | 17 | 0.5 | 3.5 |
| 492S-1058A | 452 | 10 | 12 | 17 | 0.5 | 3.5 |
| 492S-1059A | 456 | 10 | 12 | 16 | 0.5 | 3.5 |
| 492S-1060A | 460 | 10 | 12 | 16 | 0.5 | 3.5 |
| 492S-1061A | 463.5 | 10 | 12 | 16 | 0.5 | 3.5 |
| 492S-1062A | 465 | 10 | 12 | 16 | 0.5 | 3.5 |
| 492S-1063A | 470 | 10 | 12 | 15 | 0.5 | 3.5 |
| 492S-1064A | 480 | 10 | 12 | 15 | 0.5 | 3.5 |
| 492S-1065A | 510 | 10 | 12 | 15 | 0.5 | 3.5 |

TYPE 5CHT (Triple tuned)

| 東光品番 | 中心周波数 | 帯域幅 | 選択度 | | リップル | 挿入損失 |
|------------------|------------------------|-----------------------------|----------------------|----------------------|------------------|--------------------------|
| TOKO Part Number | Center Frequency (MHz) | Bandwidth (-1dB) (MHz) Min. | Selectivity | | Ripple (dB) Max. | Insertion Loss (dB) Max. |
| | | | Fo - 50MHz (dB) Min. | Fo + 50MHz (dB) Min. | | |
| 493S-1066A | 395 | 10 | 33 | 33 | 0.5 | 4.5 |
| 493S-1067A | 420 | 10 | 30 | 30 | 0.5 | 4.5 |
| 493S-1068A | 425 | 10 | 30 | 30 | 0.5 | 4.5 |
| 493S-1069A | 430 | 10 | 30 | 30 | 0.5 | 4.5 |
| 493S-1070A | 435 | 10 | 30 | 30 | 0.5 | 4.5 |
| 493S-1071A | 440 | 10 | 27 | 27 | 0.5 | 4.5 |
| 493S-1072A | 450 | 10 | 27 | 27 | 0.5 | 4.5 |
| 493S-1073A | 452 | 10 | 27 | 27 | 0.5 | 4.5 |
| 493S-1074A | 456 | 10 | 27 | 27 | 0.5 | 4.5 |
| 493S-1075A | 460 | 10 | 27 | 27 | 0.5 | 4.5 |
| 493S-1076A | 465 | 10 | 27 | 27 | 0.5 | 4.5 |
| 493S-1077A | 470 | 10 | 27 | 27 | 0.5 | 4.5 |
| 493S-1078A | 480 | 10 | 26 | 26 | 0.5 | 4.5 |
| 493S-1079A | 485 | 10 | 26 | 26 | 0.5 | 4.5 |
| 493S-1080A | 510 | 10 | 25 | 25 | 0.5 | 4.5 |