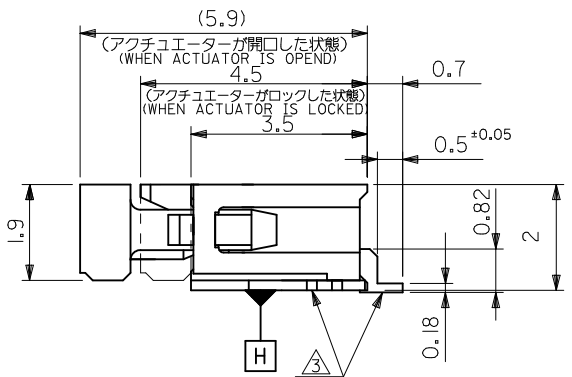
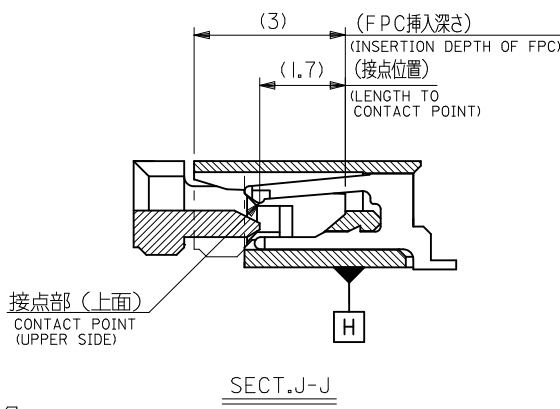
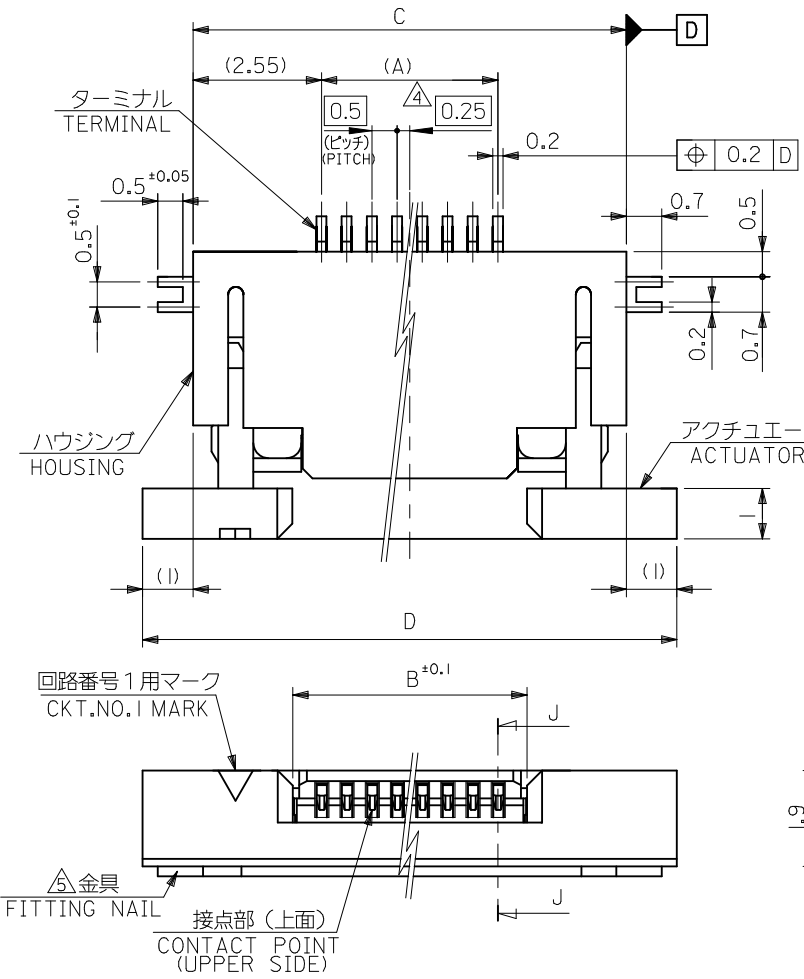
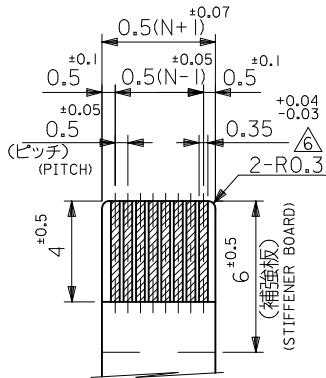


注記 NOTES

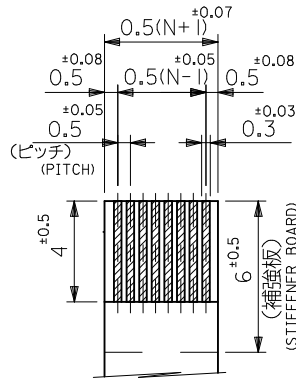
1. 使用材料 : MATERIAL  
 ハウジング : 46ナイロン, UL 94V-0  
 HOUSING : 46NYLON  
 アクチュエータ : PPS, UL 94V-0  
 ACTUATOR  
 ターミナル : リン青銅 (t=0.2)  
 TERMINAL : PHOS-BRO  
 : 錫ビスマスマッキ 1.0マイクロメートル以上  
 TIN-BISMUTH I.O MICROMETER MINIMUM  
 : ニッケル下地 1.0マイクロメートル以上  
 NICKEL (UNDER PLATING) I.O MICROMETER MINIMUM  
 金具 : リン青銅 (t=0.2)  
 FITTING NAIL : PHOS-BRO  
 : 錫メッキ 1.0マイクロメートル以上  
 TIN I.O MICROMETER MINIMUM  
 : ニッケル下地 1.0マイクロメートル以上  
 NICKEL (UNDER PLATING) I.O MICROMETER MINIMUM
2. エンボステープ梱包時は、アクチュエータがロックした状態とする。  
 IN THE PACKAGE, ACTUATOR OF PART NO.52435-\*\*26 SHOULD BE LOCKED.
- △ソルダーテール半田付け面のズレ量、及び金具半田付け面のズレ量は、基準面 H に対し上方向 0.1 MAX. , 下方向 0.15MAX. とする。  
 MISALIGNMENT OF SOLDER TAILS AND FITTING NAILS FROM H UPPER DIRECTION: 0.1 MAX. , LOWER DIRECTION: 0.15MAX.
- △偶数極に適用。  
 APPLY FOR EVEN CIRCUIT.
- △パターンはくり止め用金具。  
 FITTING NAIL FOR PREVENTION OF PEELING OF P.C.B. PATTERN.
- △R0.3は、FPCの導体部にかからないこと。  
 R0.3 MUST NOT BE OVERLAPPED TO PATTERN OF FPC.
7. 本製品は52435-\*\*27の鉛フリー品です。  
 THIS PRODUCT IS LEAD FREE OF 52435-\*\*27.
8. MATERIAL NO.  
 52435-\*\*2\*  
 1 BLACK  
 6 NATURAL  
 52435-\*\*7\*  
 2 NATURAL  
 3 BLACK



REVISED EC NO.: J2012-1270 DRW: KAGIUMI 2012/04/02 CHKD: TAKAHASHI 2012/04/03 APP: KMORIKAWA 2012/04/04	GENERAL TOLERANCES (UNLESS SPECIFIED)		DIMENSION STYLE MM ONLY	SCALE ---	DESIGN UNITS METRIC	MODEL NO. 52435-**2*	THIRD ANGLE PROJECTION
	10 UNDER	±0.2	DRAWN BY YMAEDA	DATE 2005/11/10	TITLE 0.5 FPC CONN ZIF FOR SMT R/A (TOP CONTACT) -LEAD FREE-		
	10 OVER 30 UNDER	±0.25	CHECKED BY MTANAKA	DATE 2005/11/10	MOLEX INCORPORATED		
	30 OVER	±0.3	APPROVED BY NUKITA	DATE 2005/11/10	MATERIAL NO. SEE SHEET 2	DOCUMENT NO. SD-52435-019	SHEET NO. 1 OF 2
REV	DESCRIPTION	ANGULAR ±3 ° DRAFT WHERE APPLICABLE MUST REMAIN WITHIN DIMENSIONS	THIS DRAWING CONTAINS INFORMATION THAT IS PROPRIETARY TO MOLEX INCORPORATED AND SHOULD NOT BE USED WITHOUT WRITTEN PERMISSION				



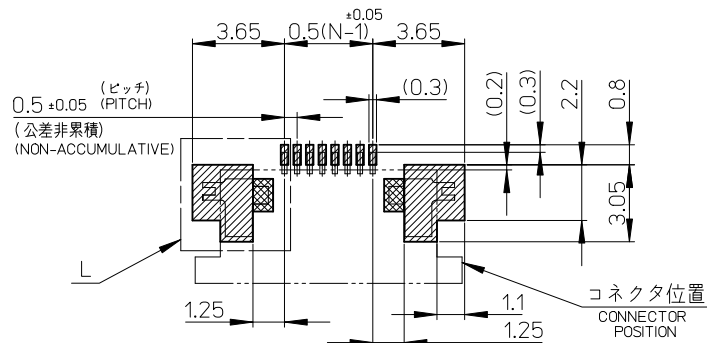
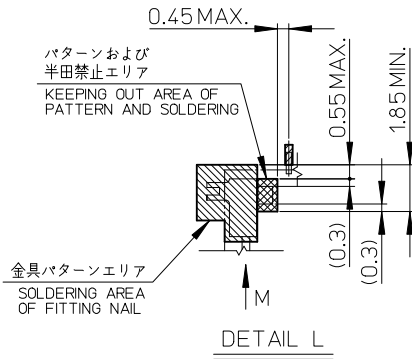
適合FPC推奨寸法  
APPLICABLE FPC  
RECOMMENDED DIMENSION.  
(仕上がり厚さ: 0.3<sup>+0.05</sup>)  
(THICKNESS: 0.3<sup>+0.05</sup>)



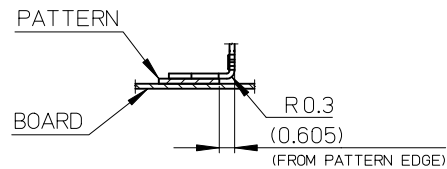
適合FFC推奨寸法  
APPLICABLE FFC  
RECOMMENDED DIMENSION.  
(仕上がり厚さ: 0.3<sup>+0.05</sup>)  
(THICKNESS: 0.3<sup>+0.05</sup>)

FPCについて:  
打抜き方向は導体側から補強板側を推奨致します。  
補強フィルム材質はポリイミドを推奨致します。  
接着剤は熱硬化接着剤を推奨致します。

ABOUT FPC:  
RECOMMENDED PUNCHER DIRECTION : FROM CONDUCTOR SIDE TO STIFFENER BOARD SIDE.  
RECOMMENDED MATERIAL :  
STIFFENER FILM : POLYIMIDE  
BONDING AGENT : THERMOSETTING BONDING AGENT



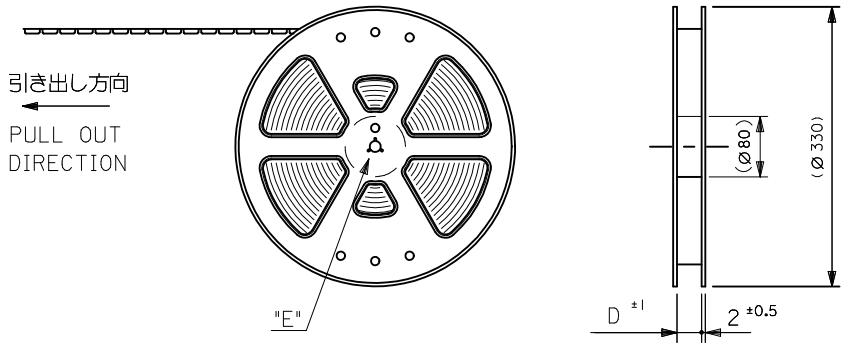
参考基板レイアウト  
(マウント面)  
RECOMMENDED P.C.BOARD  
PATTERN DIMENSION (REF.)  
(MOUNTING SIDE)



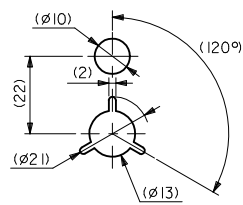
VIEW M  
(DETAIL OF FITTING NAIL  
ON PATTERN)

21.6	19.6	15.65	14.5	52435-3072	52435-3026	30
21.1	19.1	15.15	14.0	-2972	-2926	29
20.6	18.6	14.65	13.5	-287*	-282*	28
20.1	18.1	14.15	13.0	-2772	-2726	27
19.6	17.6	13.65	12.5	-2672	-2626	26
19.1	17.1	13.15	12.0	-2572	-2526	25
18.6	16.6	12.65	11.5	-2472	-2426	24
18.1	16.1	12.15	11.0	-2372	-2326	23
17.6	15.6	11.65	10.5	-2272	-2226	22
17.1	15.1	11.15	10.0	-2172	-2126	21
15.6	13.6	9.65	8.5	52435-1872	52435-1826	18
<b>D</b>	<b>C</b>	<b>B</b>	<b>(A)</b>	EMBOSSED TAPE ORDER No. オーダー番号		極数 Ckt.

REVISED EC NO: J2012-1270 DRWN:KNAGUMO 2012/04/02 CHKD:KAKAHASHI 2012/04/03 APP:R.KMORI/KAWA 2012/04/04	GENERAL TOLERANCES (UNLESS SPECIFIED)		DIMENSION STYLE MM ONLY		SCALE ---	DESIGN UNITS METRIC	THIRD ANGLE PROJECTION
	10 UNDER	±0.2	DRAWN BY YMAEDA	DATE 2005/11/10	TITLE 0.5 FPC CONN ZIF FOR SMT R/A (TOP CONTACT) -LEAD FREE-		
	10 OVER 30 UNDER	±0.25	CHECKED BY MTANAKA	DATE 2005/11/10	MOLEX INCORPORATED		
	30 OVER	±0.3	APPROVED BY NUKITA	DATE 2005/11/10	MATERIAL NO. SEE TABLE	DOCUMENT NO. SD-52435-019	SHEET NO. 2 OF 2
	ANGULAR ±3 °	DRAFT WHERE APPLICABLE MUST REMAIN WITHIN DIMENSIONS		THIS DRAWING CONTAINS INFORMATION THAT IS PROPRIETARY TO MOLEX INCORPORATED AND SHOULD NOT BE USED WITHOUT WRITTEN PERMISSION			



引き出し方向  
PULL OUT  
DIRECTION



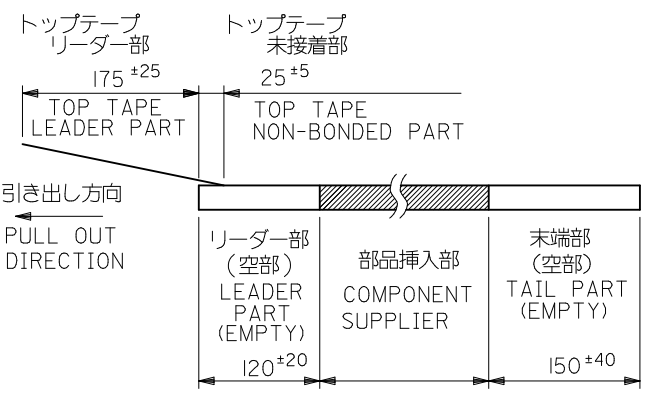
DETAIL "E"

5. 材料 (MATERIAL)  
 キャリアテープ (CARRIER TAPE): ポリプロピレン (POLYPROPYLENE)  
 トップテープ (TOPTAPE): PET, PE, PEF  
 リール (REEL): ポリスチレン (PS) <リサイクル材を含む>  
 POLYSTYREN (PS) <RECYCLE MATERIAL CONTAINED>
6. 本製品は52435-\*\*-91の鉛フリー品です。  
 THIS PRODUCT IS LEAD FREE OF 52435-\*\*-91.

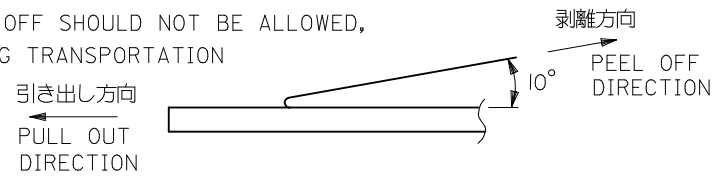
7. MATERIAL NO.  
 52435-\*\*-7\*
- |   |         |
|---|---------|
| 2 | NATURAL |
| 3 | BLACK   |

注記 NOTES

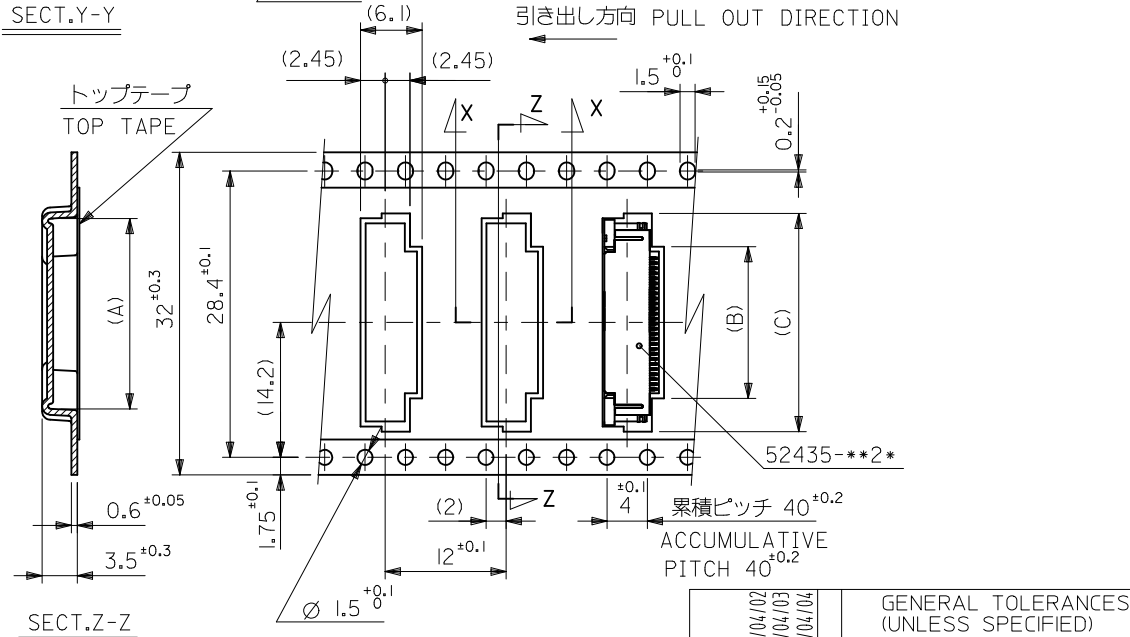
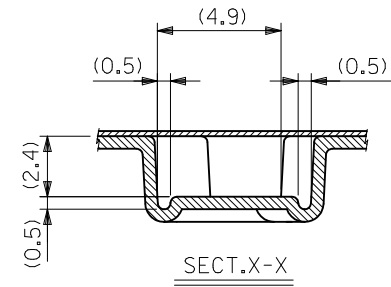
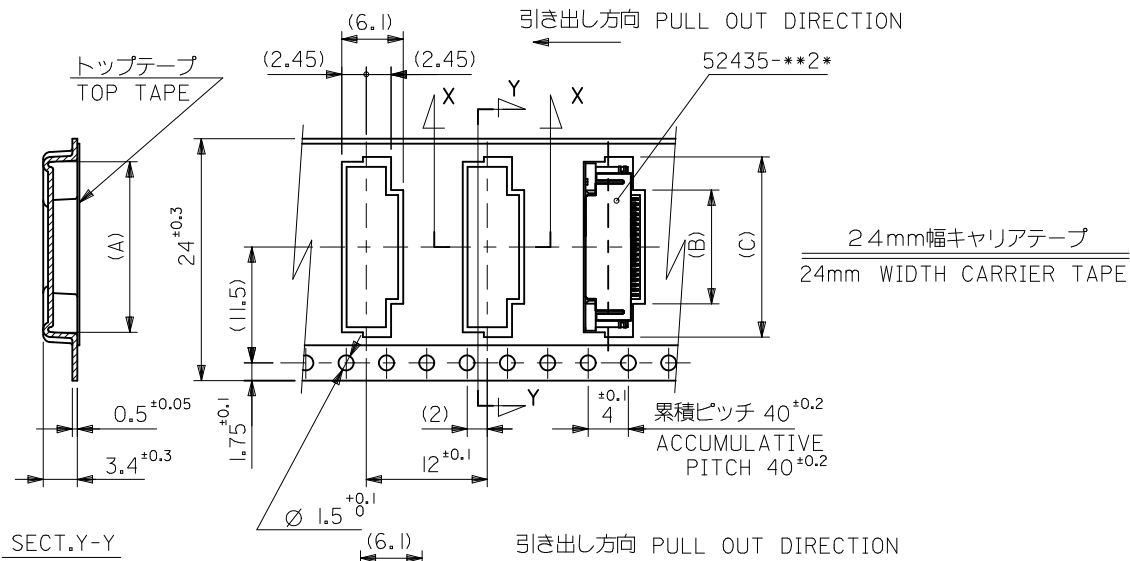
- 製品番号 52435-\*\*-26 の梱包状態はアクチュエータがロックした状態とする。  
 詳細寸法については図面SD-52435-019 を参照下さい。  
 IN THE PACKAGE,ACTUATOR OF PART NO.52435-\*\*-26 SHOULD BE LOCKED  
 RE DETAILED DIMENSIONS,SEE SD-52435-019
- 梱包数量: 1000個/リール  
 NUMBER OF CONNECTORS:1000PCS/REEL
- リードテープ長さ LEAD TAPE LENGTH



- トップテープの剥離強度: (剥離方向は下図参照)  
 0.1N~1.3N (10gf~130gf) 尚、本規格値は、出荷時に適用。  
 (但し、輸送時に剥離が発生しない事。)  
 PEELING OFF FORCE OF TOP TAPE  
 0.1N~1.3N(10gf~130gf)(PEELING DIRECTION AS SHOWN IN FOLLOWING FIG.)  
 THIS REQUIREMENT SHOULD BE APPLIED AT SHIPMENT  
 PEEL OFF SHOULD NOT BE ALLOWED,  
 DURING TRANSPORTATION



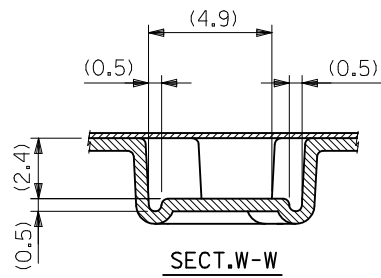
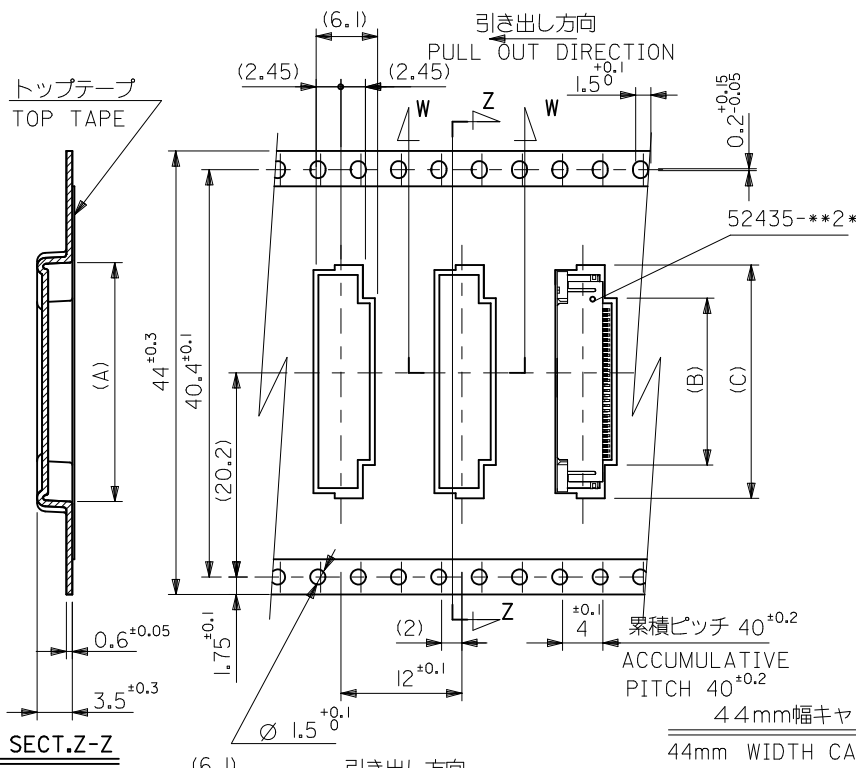
REVISED EC NO: J2012-1270 DRWN:KNAGUMO 2012/04/02 CHKD:KAKAHASHI 2012/04/03 APPR:KMORIKAWA 2012/04/04	DESCRIPTION B	GENERAL TOLERANCES (UNLESS SPECIFIED)		DIMENSION STYLE MM ONLY		SCALE ---	DESIGN UNITS METRIC	THIRD ANGLE PROJECTION	
		10 UNDER	±0.2	DRAWN BY YMAEDA	DATE 2005/11/11	TITLE 0.5 FPC CONN ZIF SMT R/A WITH TAPE EMBSTP PKG -LEAD FREE-			
		10 OVER 30 UNDER	±0.25	CHECKED BY MTANAKA	DATE 2005/11/11	MOLEX INCORPORATED			
		30 OVER	±0.3	APPROVED BY NUKITA	DATE 2005/11/11	DOCUMENT NO. SD-52435-020			
ANGULAR ±3 °		DRAFT WHERE APPLICABLE MUST REMAIN WITHIN DIMENSIONS		MATERIAL NO. SEE CHART		SHEET NO. 1 OF 3		THIS DRAWING CONTAINS INFORMATION THAT IS PROPRIETARY TO MOLEX INCORPORATED AND SHOULD NOT BE USED WITHOUT WRITTEN PERMISSION	



32	33.5	22.4	15.8	21.4	52435-2972	29
		21.9	15.3	20.9	-287*	28
		21.4	14.8	20.4	-2772	27
		20.9	14.3	19.9	-2672	26
		20.4	13.8	19.4	-2572	25
		19.9	13.3	18.9	-2472	24
		19.4	12.8	18.4	-2372	23
		18.9	12.3	17.9	-2272	22
24	25.5	16.9	10.3	15.9	52435-1872	18
キャリアテープ幅 CARRIER TAPE WIDTH	D	(C)	(B)	(A)	ENG. NO.	極数 CIRCUIT

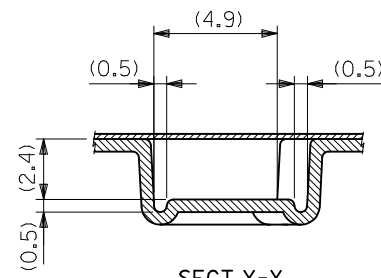
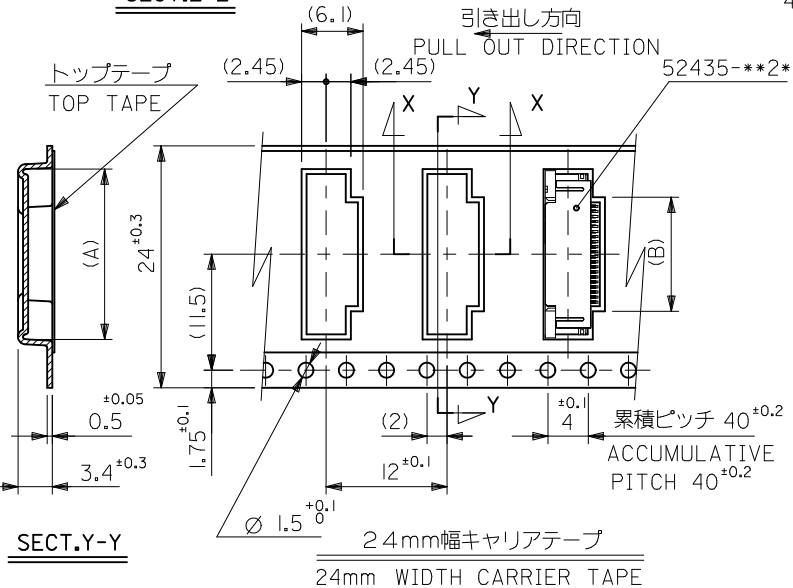
REVISED	EC NO. J2012-1270	2012/04/02	GENERAL TOLERANCES (UNLESS SPECIFIED)
	DRWN:KNAGUMO	2012/04/03	10 UNDER ±0.2
	CHKD:KAKAHASHI	2012/04/03	10 OVER 30 UNDER ±0.25
	APPR:KMORI/KAWA	2012/04/04	30 OVER ±0.3
DESCRIPTION	ANGULAR ±3 °		
REV	DRAFT WHERE APPLICABLE MUST REMAIN WITHIN DIMENSIONS		

DIMENSION STYLE MM ONLY		SCALE ---	DESIGN UNITS METRIC	THIRD ANGLE PROJECTION
DRAWN BY YMAEDA	DATE 2005/11/11	TITLE 0.5 FPC CONN ZIF SMT R/A WITH TAPE EMBSTP PKG -LEAD FREE-		
CHECKED BY MTANAKA	DATE 2005/11/11	MOLEX INCORPORATED		
APPROVED BY NUKITA	DATE 2005/11/11	MATERIAL NO. SEE CHART	DOCUMENT NO. SD-52435-020	SHEET NO. 2 OF 3
THIS DRAWING CONTAINS INFORMATION THAT IS PROPRIETARY TO MOLEX INCORPORATED AND SHOULD NOT BE USED WITHOUT WRITTEN PERMISSION				



44	45.5	22.9	16.3	21.9	52435-3072	30
キャリアテープ幅 CARRIER TAPE WIDTH	D	(C)	(B)	(A)	ENG. NO.	極数 CIRCUIT

44mm 幅キャリアテープ  
44mm WIDTH CARRIER TAPE



24	25.5	11.8	17.4	52435-2172	21
キャリアテープ幅 CARRIER TAPE WIDTH	D	(B)	(A)	ENG. NO.	極数 CIRCUIT

24mm 幅キャリアテープ  
24mm WIDTH CARRIER TAPE

REVISED EC NO: J2012-1270 DRWN:KNAGUMO 2012/04/02 CHKD:KAKAHASHI 2012/04/03 APPR:KMORIKAWA 2012/04/04	DESCRIPTION GENERAL TOLERANCES (UNLESS SPECIFIED) 10 UNDER ±0.2 10 OVER 30 UNDER ±0.25 30 OVER ±0.3 ANGULAR ±3 ° DRAFT WHERE APPLICABLE MUST REMAIN WITHIN DIMENSIONS	DIMENSION STYLE MM ONLY	SCALE ---	DESIGN UNITS METRIC	THIRD ANGLE PROJECTION		
		DRAWN BY YMAEDA	DATE 2005/11/11	TITLE 0.5 FPC CONN ZIF SMT R/A WITH TAPE EMBSTP PKG -LEAD FREE-			
		CHECKED BY MTANAKA	DATE 2005/11/11	MOLEX INCORPORATED			
		APPROVED BY NUKITA	DATE 2005/11/11	MATERIAL NO. SEE CHART	DOCUMENT NO. SD-52435-020	SHEET NO. 3 OF 3	