

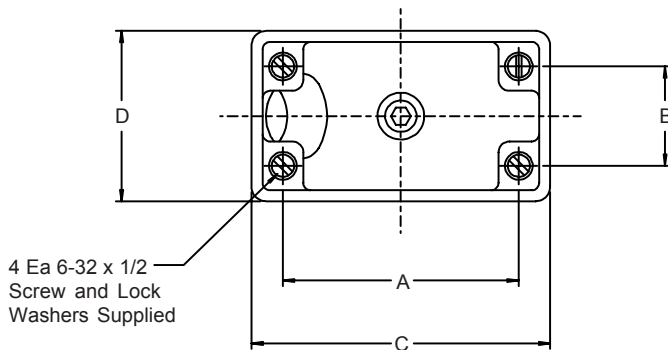
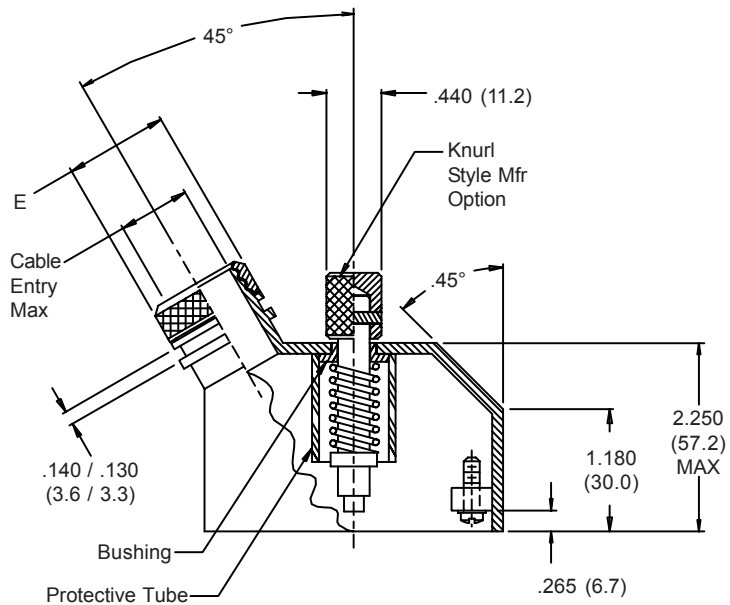
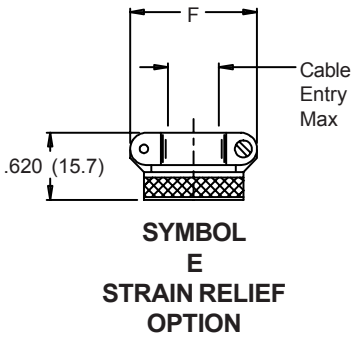
527-197 Strain-Relief Backshell for Hughes MRS Connectors

527 197 212 08 N E

Product Series ————
Basic No. ————
Shell Size (Table I) ————
Dash No. (Table II) ————

E = Strain Relief
Omit for Nut

Finish Symbol
(Table III)



Metric dimensions (mm) are indicated in parentheses.

527-197
Strain-Relief Backshell
for Hughes MRS Connectors



Miscellaneous
Rectangular
Backshells

TABLE I: CONNECTOR INTERFACE DIMENSIONS

| Shell Size | A | B | C ±.031 (.8) | D ±.031 (.8) | MAX DASH NO TABLE II |
|------------|--------------|--------------|-----------------|-----------------|-------------------------|
| 020 | 1.300 (33.0) | 0 | 1.858 (47.2) | 1.013 (25.7) | 06 |
| 036 | 1.750 (44.5) | 0 | 2.308 (58.6) | 1.013 (25.7) | 06 |
| 052 | 1.900 (48.3) | .550 (14.0) | 2.458 (62.4) | 1.293 (32.8) | 08 |
| 080 | 2.045 (51.9) | .812 (20.6) | 2.603 (66.1) | 1.542 (39.2) | 10 |
| 158 | 2.500 (63.5) | 1.250 (31.8) | 3.062 (77.8) | 2.047 (52.0) | 10 |
| 212 | 2.500 (63.5) | 1.850 (47.0) | 3.062 (77.8) | 2.573 (65.4) | 10 |

TABLE II: CABLE ENTRY

| Dash No | E MAX | F MAX | CABLE ENTRY MAX |
|---------|--------------|--------------|--------------------|
| 01 | .448 (11.4) | .781 (19.8) | .125 (3.2) |
| 02 | .515 (13.1) | .968 (24.6) | .250 (6.4) |
| 03 | .640 (16.3) | 1.046 (26.6) | .375 (9.5) |
| 04 | .765 (19.4) | 1.156 (29.4) | .500 (12.7) |
| 05 | .920 (23.4) | 1.219 (31.0) | .625 (15.9) |
| 06 | 1.015 (25.8) | 1.343 (34.1) | .750 (19.1) |
| 07 | 1.140 (29.0) | 1.469 (37.3) | .875 (22.2) |
| 08 | 1.265 (32.1) | 1.594 (40.5) | 1.000 (25.4) |
| 09 | 1.432 (36.4) | 1.719 (43.7) | 1.125 (28.6) |
| 10 | 1.515 (38.5) | 1.844 (46.8) | 1.250 (31.8) |

**TABLE III:
FINISH OPTIONS**

| Symbol | Finish |
|--------|---|
| B | Cadmium Plate/Olive Drab |
| C* | Black Anodize |
| G* | Anodic Hard Coat |
| J | Gold Iridite over Cadmium Plate over Electroless Nickel |
| LF | Cadmium Plate/Bright over Electroless Nickel |
| M | Electroless Nickel |
| N | Cadmium Plate/Olive Drab over Electroless Nickel |
| NC | Zinc Cobalt/Dark Olive Drab |
| NF | Cadmium Plate/Olive Drab over Electroless Nickel |
| T | Cadmium Plate/Bright over Electroless Nickel |
| U** | Cadmium Plate/Black |
| ZN | Zinc-Nickel Alloy/Olive Drab |

*Anodize finish is not suitable for EMI shielding or grounding applications.

**Applicable to corrosion resisting steel backshells and accessories. Consult factory for other available finishes.

Metric dimensions (mm) are indicated in parentheses.