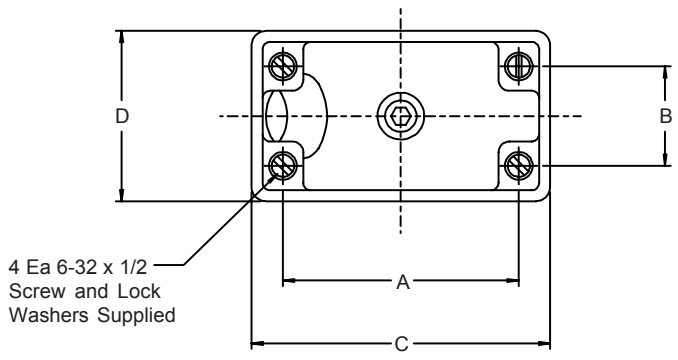
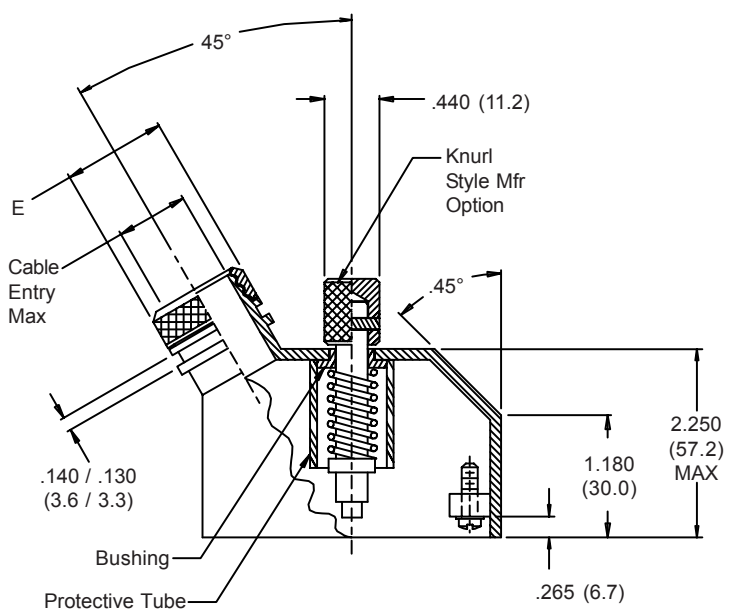
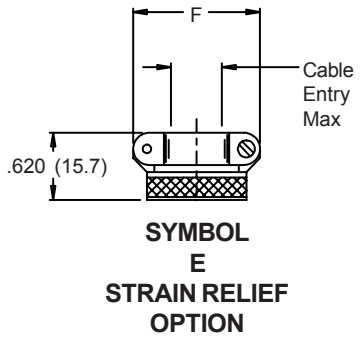
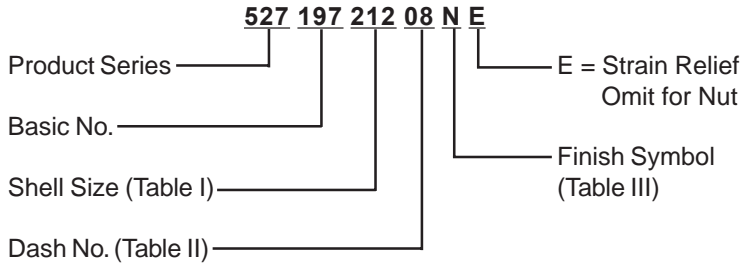


# 527-197 Strain-Relief Backshell for Hughes MRS Connectors



Metric dimensions (mm) are indicated in parentheses.

**527-197**  
**Strain-Relief Backshell**  
**for Hughes MRS Connectors**



Miscellaneous  
Rectangular  
Backshells

**TABLE I: CONNECTOR INTERFACE DIMENSIONS**

| Shell Size | A            | B            | C<br>±.031 (.8) | D<br>±.031 (.8) | MAX DASH NO<br>TABLE II |
|------------|--------------|--------------|-----------------|-----------------|-------------------------|
| 020        | 1.300 (33.0) | 0            | 1.858 (47.2)    | 1.013 (25.7)    | 06                      |
| 036        | 1.750 (44.5) | 0            | 2.308 (58.6)    | 1.013 (25.7)    | 06                      |
| 052        | 1.900 (48.3) | .550 (14.0)  | 2.458 (62.4)    | 1.293 (32.8)    | 08                      |
| 080        | 2.045 (51.9) | .812 (20.6)  | 2.603 (66.1)    | 1.542 (39.2)    | 10                      |
| 158        | 2.500 (63.5) | 1.250 (31.8) | 3.062 (77.8)    | 2.047 (52.0)    | 10                      |
| 212        | 2.500 (63.5) | 1.850 (47.0) | 3.062 (77.8)    | 2.573 (65.4)    | 10                      |

**TABLE II: CABLE ENTRY**

| Dash No | E<br>MAX     | F<br>MAX     | CABLE ENTRY<br>MAX |
|---------|--------------|--------------|--------------------|
| 01      | .448 (11.4)  | .781 (19.8)  | .125 (3.2)         |
| 02      | .515 (13.1)  | .968 (24.6)  | .250 (6.4)         |
| 03      | .640 (16.3)  | 1.046 (26.6) | .375 (9.5)         |
| 04      | .765 (19.4)  | 1.156 (29.4) | .500 (12.7)        |
| 05      | .920 (23.4)  | 1.219 (31.0) | .625 (15.9)        |
| 06      | 1.015 (25.8) | 1.343 (34.1) | .750 (19.1)        |
| 07      | 1.140 (29.0) | 1.469 (37.3) | .875 (22.2)        |
| 08      | 1.265 (32.1) | 1.594 (40.5) | 1.000 (25.4)       |
| 09      | 1.432 (36.4) | 1.719 (43.7) | 1.125 (28.6)       |
| 10      | 1.515 (38.5) | 1.844 (46.8) | 1.250 (31.8)       |

**TABLE III:  
FINISH OPTIONS**

| Symbol | Finish  |
|--------|---|
| B      | Cadmium Plate/Olive Drab                                |
| C*     | Black Anodize   |
| G*     | Anodic Hard Coat  |
| J      | Gold Iridite over Cadmium Plate over Electroless Nickel |
| LF     | Cadmium Plate/Bright over Electroless Nickel            |
| M      | Electroless Nickel                                      |
| N      | Cadmium Plate/Olive Drab over Electroless Nickel        |
| NC     | Zinc Cobalt/Dark Olive Drab                             |
| NF     | Cadmium Plate/Olive Drab over Electroless Nickel        |
| T      | Cadmium Plate/Bright over Electroless Nickel            |
| U**    | Cadmium Plate/Black                                     |
| ZN     | Zinc-Nickel Alloy/Olive Drab                            |

\*Anodize finish is not suitable for EMI shielding or grounding applications.

\*\*Applicable to corrosion resisting steel backshells and accessories. Consult factory for other available finishes.

Metric dimensions (mm) are indicated in parentheses.