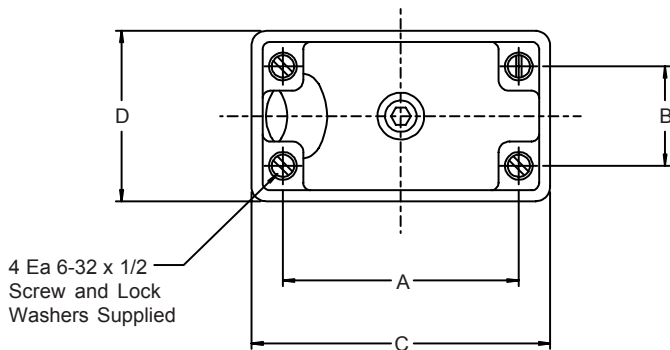
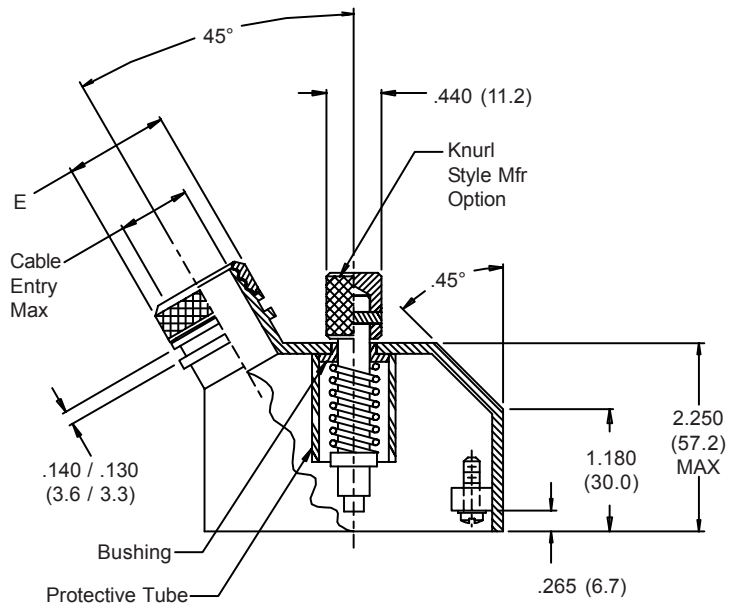
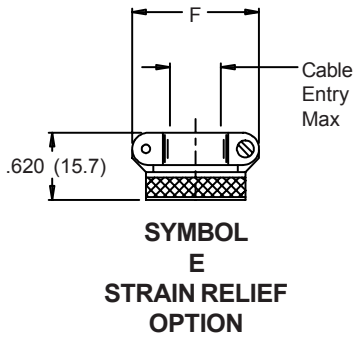


527-197 Strain-Relief Backshell for Hughes MRS Connectors

527 197 212 08 N E

Product Series ————
 Basic No. ————
 Shell Size (Table I) ————
 Dash No. (Table II) ————
 E = Strain Relief
 Omit for Nut
 Finish Symbol
 (Table III)



Metric dimensions (mm) are indicated in parentheses.

527-197
Strain-Relief Backshell
for Hughes MRS Connectors



Miscellaneous
Rectangular
Backshells

TABLE I: CONNECTOR INTERFACE DIMENSIONS

Shell Size	A	B	C ±.031 (.8)	D ±.031 (.8)	MAX DASH NO TABLE II
020	1.300 (33.0)	0	1.858 (47.2)	1.013 (25.7)	06
036	1.750 (44.5)	0	2.308 (58.6)	1.013 (25.7)	06
052	1.900 (48.3)	.550 (14.0)	2.458 (62.4)	1.293 (32.8)	08
080	2.045 (51.9)	.812 (20.6)	2.603 (66.1)	1.542 (39.2)	10
158	2.500 (63.5)	1.250 (31.8)	3.062 (77.8)	2.047 (52.0)	10
212	2.500 (63.5)	1.850 (47.0)	3.062 (77.8)	2.573 (65.4)	10

TABLE II: CABLE ENTRY

Dash No	E MAX	F MAX	CABLE ENTRY MAX
01	.448 (11.4)	.781 (19.8)	.125 (3.2)
02	.515 (13.1)	.968 (24.6)	.250 (6.4)
03	.640 (16.3)	1.046 (26.6)	.375 (9.5)
04	.765 (19.4)	1.156 (29.4)	.500 (12.7)
05	.920 (23.4)	1.219 (31.0)	.625 (15.9)
06	1.015 (25.8)	1.343 (34.1)	.750 (19.1)
07	1.140 (29.0)	1.469 (37.3)	.875 (22.2)
08	1.265 (32.1)	1.594 (40.5)	1.000 (25.4)
09	1.432 (36.4)	1.719 (43.7)	1.125 (28.6)
10	1.515 (38.5)	1.844 (46.8)	1.250 (31.8)

**TABLE III:
FINISH OPTIONS**

Symbol	Finish
B	Cadmium Plate/Olive Drab
C*	Black Anodize
G*	Anodic Hard Coat
J	Gold Iridite over Cadmium Plate over Electroless Nickel
LF	Cadmium Plate/Bright over Electroless Nickel
M	Electroless Nickel
N	Cadmium Plate/Olive Drab over Electroless Nickel
NC	Zinc Cobalt/Dark Olive Drab
NF	Cadmium Plate/Olive Drab over Electroless Nickel
T	Cadmium Plate/Bright over Electroless Nickel
U**	Cadmium Plate/Black
ZN	Zinc-Nickel Alloy/Olive Drab

*Anodize finish is not suitable for EMI shielding or grounding applications.

**Applicable to corrosion resisting steel backshells and accessories. Consult factory for other available finishes.

Metric dimensions (mm) are indicated in parentheses.