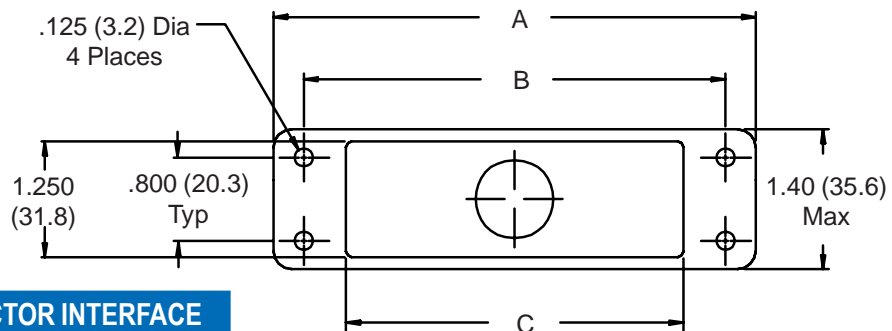
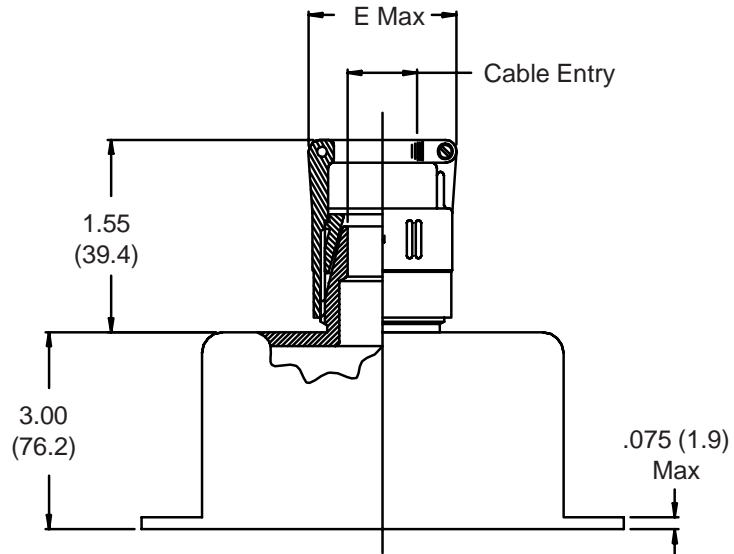


527-123 45° Solid EMI/RFI Strain-Relief Backshell for Hypertronics NEBY Connectors

527 T 123 M 35 09

Basic Part No. ————
Cable Entry Style ————
 T = Top
Basic Part Number ————
Finish Symbol (Table III) ————
Shell Size (Table I) ————
Dash No. (Table II) ————


TABLE I: SHELL SIZE & CONNECTOR INTERFACE

Shell Size	A Dim	B Dim	C Dim
35	4.170 (105.9)	3.800 (96.5)	3.520 (89.4)
45	5.170 (131.3)	4.800 (121.9)	4.520 (114.8)

TABLE II: CABLE ENTRY

Dash No.	E Max	Cable Range		
		Min	Max	Max
01	.781 (19.8)	.062 (1.6)	.125 (3.2)	
02	.968 (24.6)	.125 (3.2)	.250 (6.4)	
03	1.406 (35.7)	.250 (6.4)	.375 (9.5)	
04	1.156 (29.4)	.375 (9.5)	.500 (12.7)	
05	1.218 (30.9)	.500 (12.7)	.625 (15.9)	
06	1.343 (34.1)	.625 (15.9)	.750 (19.1)	
07	1.468 (37.3)	.750 (19.1)	.875 (22.2)	
08	1.593 (40.5)	.875 (22.2)	1.000 (25.4)	
09	1.718 (43.6)	1.000 (25.4)	1.125 (28.6)	
10	1.843 (46.8)	1.125 (28.6)	1.250 (31.8)	

TABLE III - FINISH OPTIONS

Symbol	Finish
B	Cadmium Plate, Olive Drab
J	Iridite, Gold Over Cadmium Plate over Nickel
M	Electroless Nickel
N	Cadmium Plate, Olive Drab, Over Nickel
NF	Cadmium Plate, Olive Drab, Over Electroless Nickel (1000 Hour Salt Spray)
T	Cadmium Plate, Bright Dip Over Nickel (500 Hour Salt Spray)

**CONSULT FACTORY FOR
OTHER AVAILABLE FINISHES**

1. Metric dimensions (mm) are indicated in parentheses.
2. Material/Finish:
Backshell = Al Alloy/See Table III
Hardware = SST/Passivate