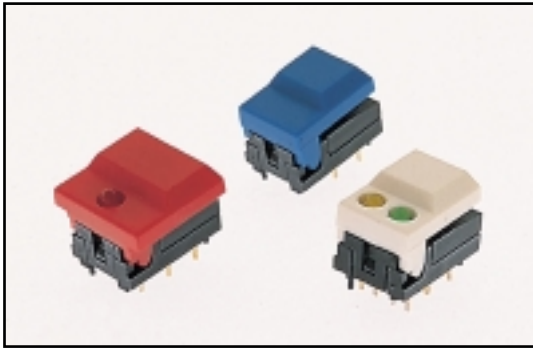


PUSHBUTTON SWITCHES



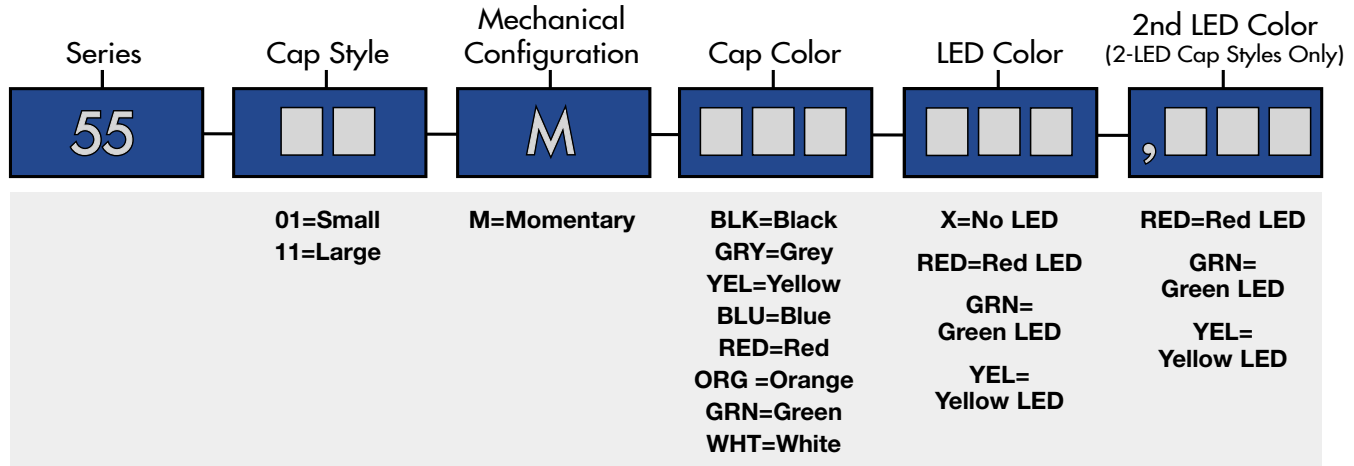
SPECIFICATIONS

Ratings: 50mA @ 12 VDC
 Electrical Life: 500,000 cycles typical
 Contact Resistance: 10mΩ max. typical @ 2-4 VDC, 100mA
 Insulation Resistance: 1,000 MΩ min.
 Dielectric Strength: >1,000 V rms at sea level
 Operating Force: 250 ± 50 gf

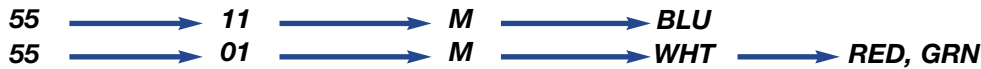
MATERIALS

Housing: 6/6 Nylon
 Cap: ABS
 Contacts: Gold over nickel over copper alloy
 Terminals: Gold over nickel over copper alloy

HOW TO ORDER



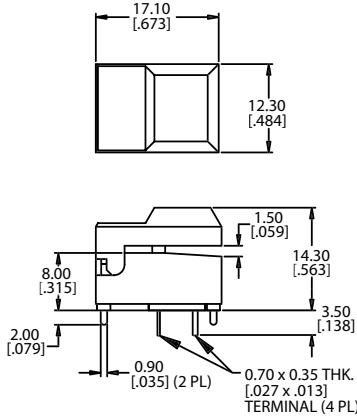
EXAMPLE



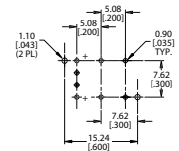
SPECIFICATIONS SUBJECT TO CHANGE WITHOUT NOTICE.



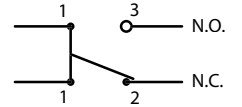
5501



P.C. MOUNTING

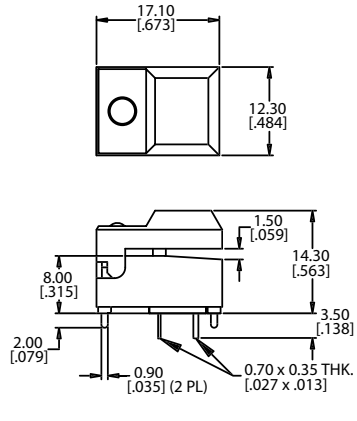


Schematic

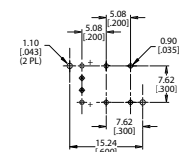


5501

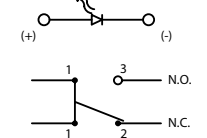
1 LEDS



P.C. MOUNTING

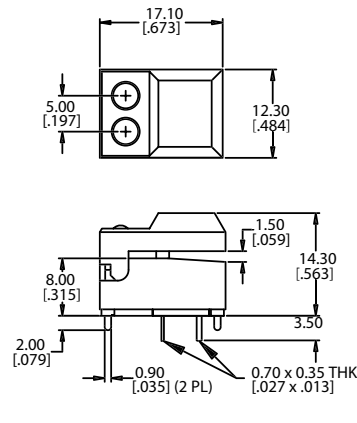


Schematic

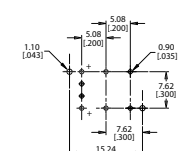


5501

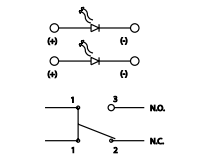
2 LEDS



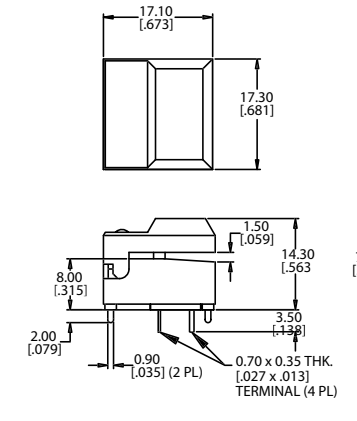
P.C. MOUNTING



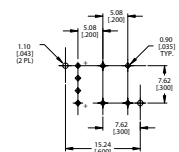
Schematic



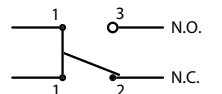
5511



P.C. MOUNTING



Schematic



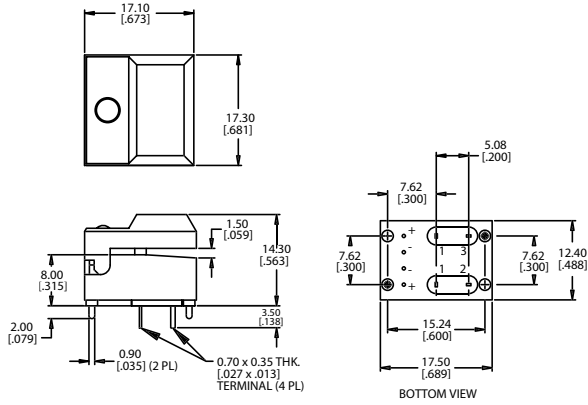
SPECIFICATIONS SUBJECT TO CHANGE WITHOUT NOTICE.

PUSHBUTTON SWITCHES

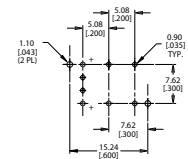


5511

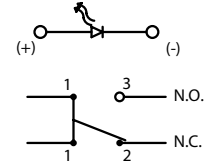
1 LED



P.C. MOUNTING

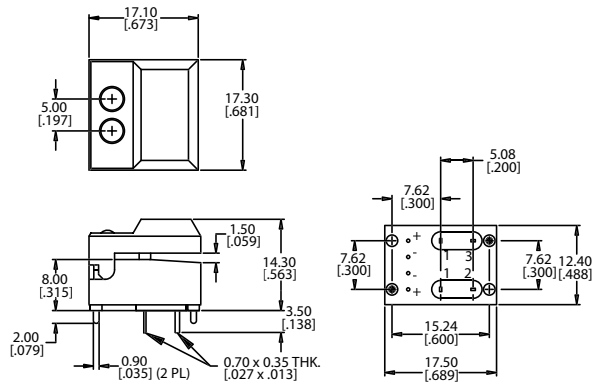


Schematic

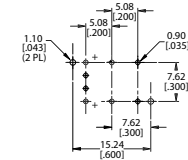


5511

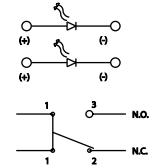
2 LEDs



P.C. MOUNTING



Schematic



SPECIFICATIONS SUBJECT TO CHANGE WITHOUT NOTICE.