

**PUSHBUTTON SWITCHES**



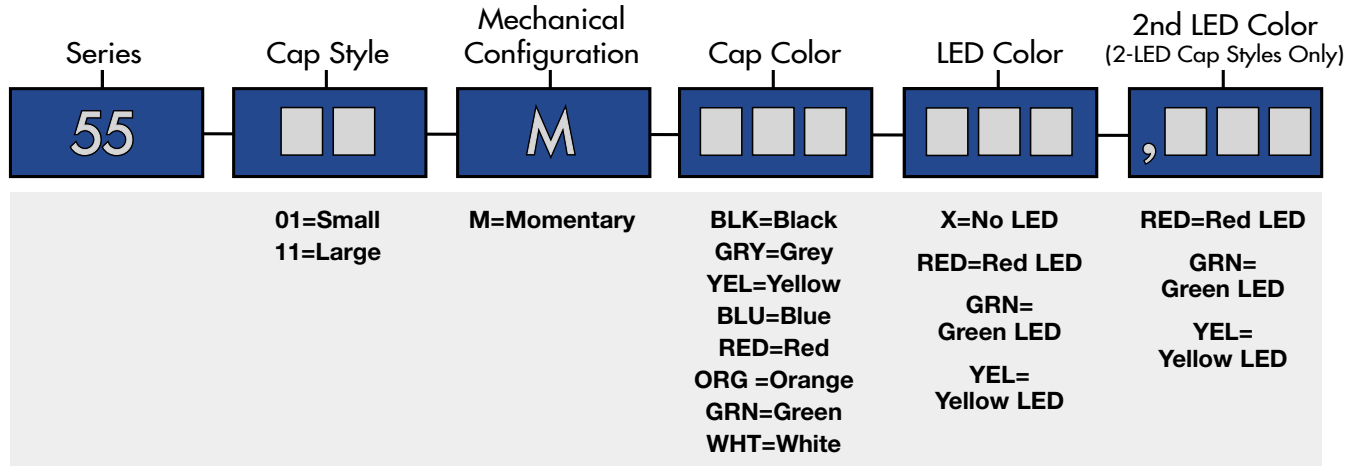
**SPECIFICATIONS**

Ratings: 50mA @ 12 VDC  
 Electrical Life: 500,000 cycles typical  
 Contact Resistance: 10mΩ max. typical @ 2-4 VDC, 100mA  
 Insulation Resistance: 1,000 MΩ min.  
 Dielectric Strength: >1,000 V rms at sea level  
 Operating Force: 250 ± 50 gf

**MATERIALS**

Housing: 6/6 Nylon  
 Cap: ABS  
 Contacts: Gold over nickel over copper alloy  
 Terminals: Gold over nickel over copper alloy

**HOW TO ORDER**



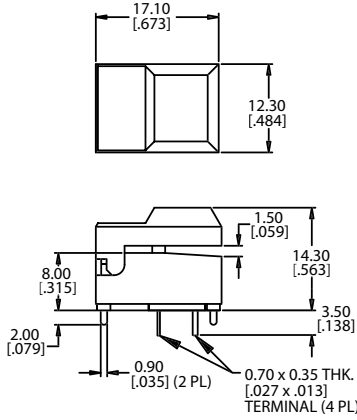
**EXAMPLE**



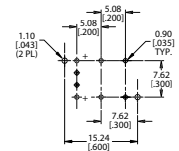
SPECIFICATIONS SUBJECT TO CHANGE WITHOUT NOTICE.



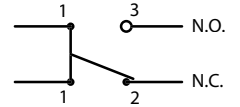
**5501**



P.C. MOUNTING

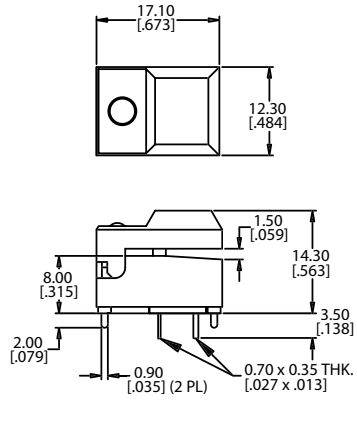


Schematic

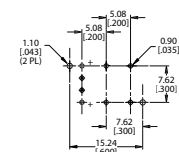


**5501**

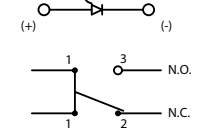
**1 LEDS**



P.C. MOUNTING

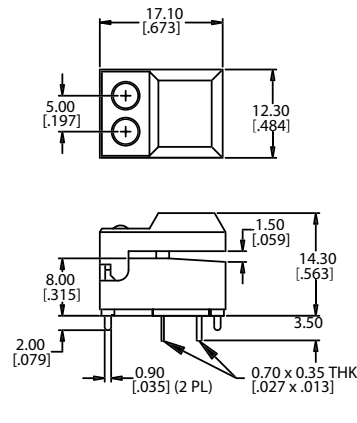


Schematic

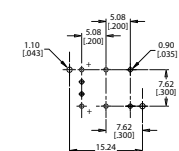


**5501**

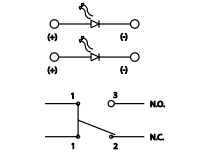
**2 LEDS**



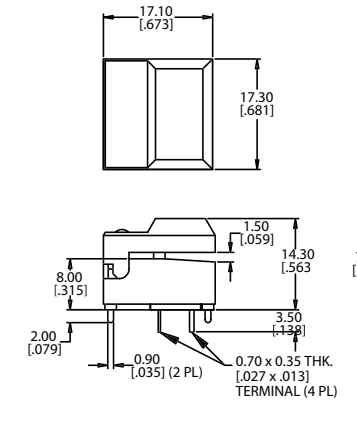
P.C. MOUNTING



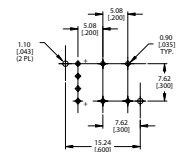
Schematic



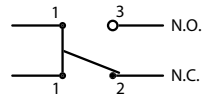
**5511**



P.C. MOUNTING



Schematic



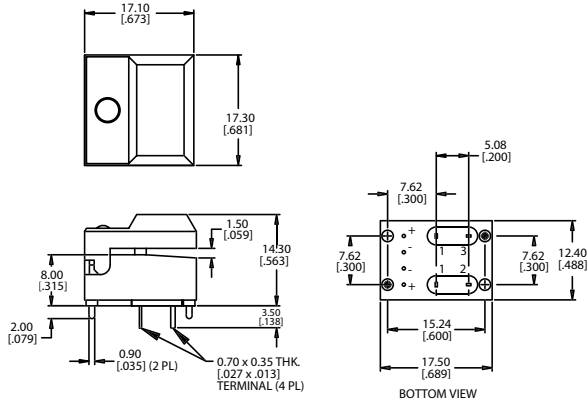
SPECIFICATIONS SUBJECT TO CHANGE WITHOUT NOTICE.

PUSHBUTTON SWITCHES

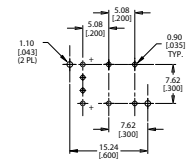


**5511**

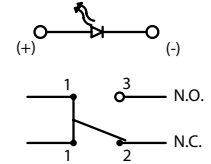
**1 LED**



P.C. MOUNTING

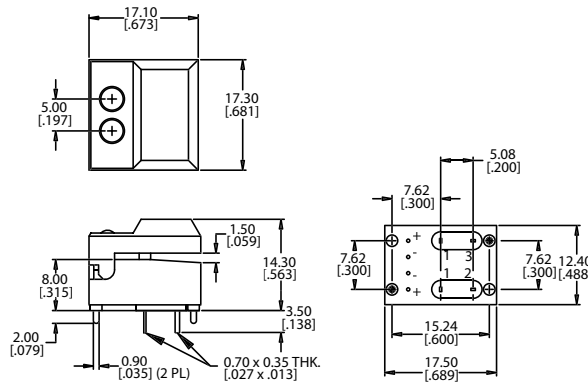


**Schematic**

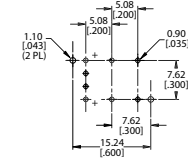


**5511**

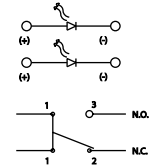
**2 LEDs**



P.C. MOUNTING



**Schematic**



SPECIFICATIONS SUBJECT TO CHANGE WITHOUT NOTICE.