

PLEASE CHECK WWW.MOLEX.COM FOR LATEST PART INFORMATION

Part Number: [0579819802](#)
Status: **Active**
Description: 6.35mm (.250") Tab Quick Disconnect Terminal, Female, 14-18 AWG, Pre-Tin Plated

Documents:

[Drawing \(PDF\)](#) [RoHS Certificate of Compliance \(PDF\)](#)
[Product Specification PS-57981-001 \(PDF\)](#)

Agency Certification

UL E92853

General

Product Family Quick Disconnects
 Series [57981](#)
 Crimp Quality Equipment Yes
 Product Name N/A
 Type Quick Disconnect

Physical

Barrel Type Open
 Gender Female
 Glow-Wire Compliant No
 Insulation None
 Lock to Mating Part Yes
 Material - Metal Brass
 Orientation Straight
 Packaging Type Reel
 Polarized to Mating Part Yes
 Tab Thickness 0.60mm (.024"), 0.81mm (.032"), 1.00mm (.039")
 Tab Width 6.35mm (.250")
 Temperature Range - Operating -40°C to +105°C
 Wire Insulation Diameter 1.50-3.10mm (.060-.122") max.
 Wire Size AWG 14, 16, 18
 Wire Size mm² 0.85 - 2.00

Electrical

Voltage - Maximum 250V

Material Info

Reference - Drawing Numbers

Product Specification PS-57981-001
 Sales Drawing SD-57981-001

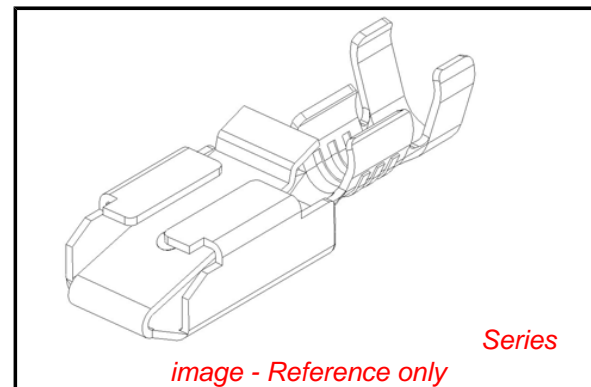


image - Reference only

EU RoHS

**ELV and RoHS
 Compliant
 REACH SVHC
 Contains SVHC: No
 Halogen-Free
 Status**

China RoHS



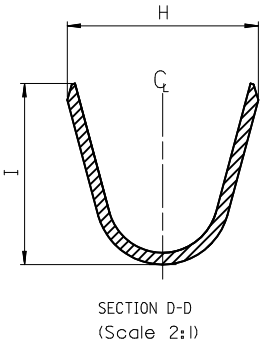
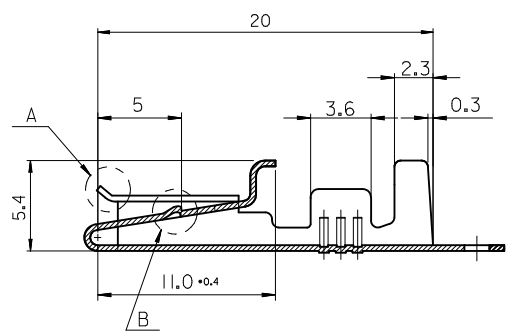
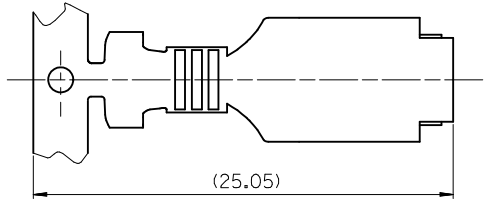
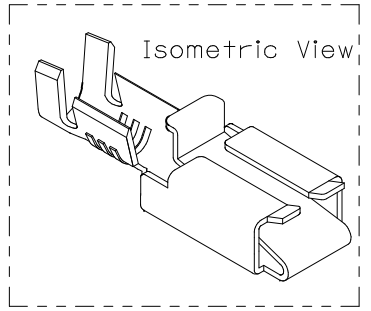
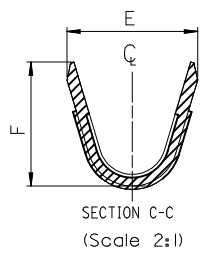
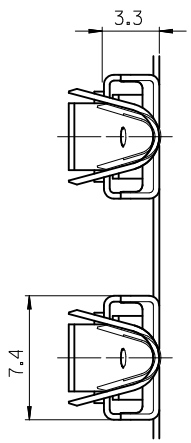
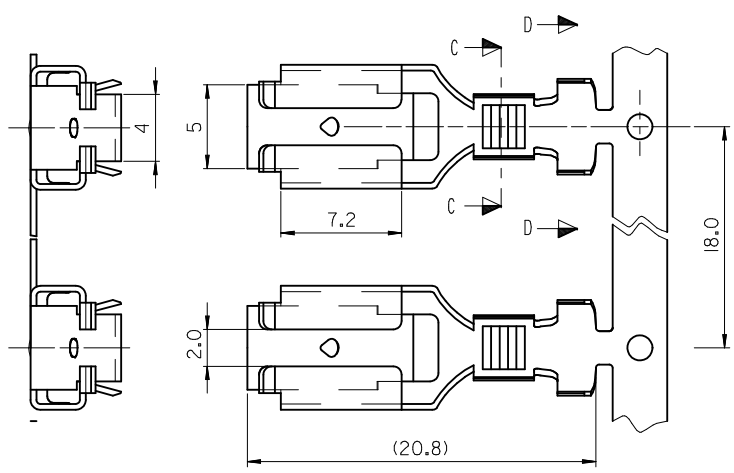
**Need more information on product
 environmental compliance?**

Email productcompliance@molex.com
 For a multiple part number RoHS Certificate of
 Compliance, [click here](#)

Please visit the [Contact Us](#) section for any
 non-product compliance questions.

Search Parts in this Series
[57981Series](#)

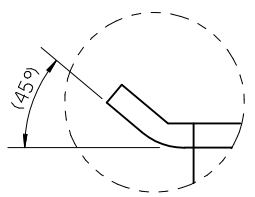
Use With
[DFA-250NR\(K\) PVC Sleeve](#)



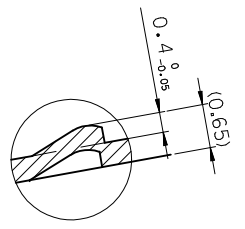
NOTE

1. MATERIAL : BRASS 0.35 ± 0.1 Thickness
2. FINISH : PRE-TIN PLATING (2-3um TIN OVERALL COPPER)
3. MATING TAB WIDTH : 6.35mm MAX.
4. APPLICABLE TAB THICKNESS : 0.6mm - 1.0mm
5. PRODUCTION SPECIFICATION NO : PS-57981-001
6. Applicable Sleeve : See TABLE

| DESCRIPTION | MATERIAL | TEMPERATURE | RATING | REFERENCE |
|-------------|-------------------|-------------|--------------|-----------|
| PVC SLEEVE | PVC | 105°C | 600VAC | |
| MAKER | DAEIL COATING CO. | PART NO | DFA-250NR(K) | |



DETAIL A (Scale 4:1)



DETAIL B (Scale 4:1)

| Material | ENG.NO. | Material NO. | E | F | H | I | WIRE SIZE | INSUL.DIA. | MATING TAB THICK' |
|----------|--------------|--------------|-----|-----|-----|-----|-----------|------------|-------------------|
| BRASS | E-57981-9802 | 579819802 | 3.9 | 3.6 | 5.7 | 5.4 | AWG#22-18 | 1.5-3.1 | 0.6 ± 1.0 ± |

| | | | | | | | |
|--|---|---|---|--------------------------|--------------|------------------------|--|
| REVISED EC NO: KOR2010-0188 DRWN: JHPARK01 2010/05/14 CHKD: KSKIM 2010/05/17 APPR: YUNSIKKIM 2010/05/17 | QUALITY SYMBOLS | GENERAL TOLERANCES (UNLESS SPECIFIED) | DIMENSION STYLE | SCALE | DESIGN UNITS | THIRD ANGLE PROJECTION | |
| | | mm INCH 4 PLACES ± --- ± --- 3 PLACES ± --- ± --- 2 PLACES ± 0.20 ± --- 1 PLACE ± 0.30 ± --- ANGULAR ± 1 ° | MM ONLY | 1:1 | METRIC | | |
| | DRAWN BY: YS00.KIM CHECKED BY: YS1K.KIM APPROVED BY: CW.LEE | DRAFT WHERE APPLICABLE MUST REMAIN WITHIN DIMENSIONS | TITLE | .250 RECEPTACLE TERMINAL | | | |
| | MATERIAL NO. 579819802 SIZE A3 | THIS DRAWING CONTAINS INFORMATION THAT IS PROPRIETARY TO MOLEX INCORPORATED AND SHOULD NOT BE USED WITHOUT WRITTEN PERMISSION | MOLEX INCORPORATED DOCUMENT NO. SD-57981-001 | SHEET NO. 1 OF 01 | | | |