

# O/E/N 57

## MINIATURE POWER RELAYS

- Compact High Performance
- Direct PCB Type
- Dust Protected
- CSA Certified (File No : 106405-1)

### SPECIFICATIONS

|  |  |
|--|--|
| Contact Arrangement                        | : 1 Form A,<br>1 Form C , 2 Form C                 |
| Contact Material                           | : Silver Alloy                                     |
| Contact Rating                             |  |
| Rated Voltage                              | : 230 VAC/24 VDC                                   |
| Maximum Voltage                            | : 250 VAC/110 VDC                                  |
| Maximum Continuous Current at 230VAC/24VDC |  |
| 1 Form A                                   | : 6 A  |
| 1 Form C                                   | : 6A   |
| 2 Form C                                   | : 2A   |
| Maximum Power Rating AC (1C/2C)            | : 1380/460VA                                       |
| Nominal Coil Power                         | : 1.5W (approx)                                    |
| Operating Power                            | : 0.75W (approx)                                   |
| Life Expectancy                            |  |
| Mechanical                                 | : $1 \times 10^6$ operations                       |
| Electrical                                 | : $10^5$ operations at rated load                  |
| Contact Resistance(Initial)                | : 50 milli Ohms                                    |
| Dielectric Strength                        |  |
| Between Contacts & Coil                    | : 750 VRMS   |
| Between Open Contacts                      | : 500 VRMS   |
| Insulation Resistance                      | : 1000 Meg.Ohms at 500VDC, 25 <sup>o</sup> C, RH50 |
| Operate time at Nominal Voltage            | : 12 milli sec.(Typ)                               |
| Release time at Nominal Voltage            | : 8 milli sec.(Typ)                                |
| Ambient Temperature                        | : -40 <sup>o</sup> C to +65 <sup>o</sup> C         |
| Weight                                     | : 18 gms (approx)                                  |

#### Typical applications

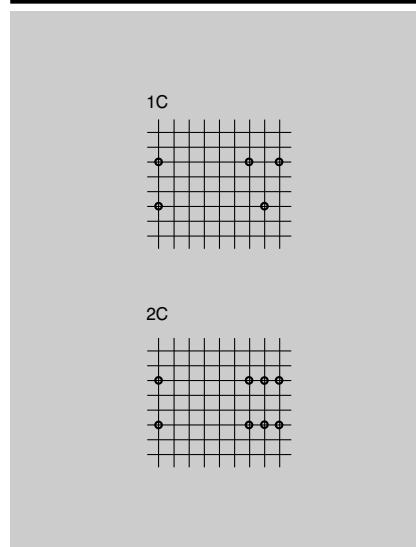
Industrial Electronics, PLCs, Timers, Office Automation, UPS, Invertors, Home Appliances

All dimensions are in mm. Specifications subject to change without notice. Tolerance unless otherwise specified is  $\pm 10\%$

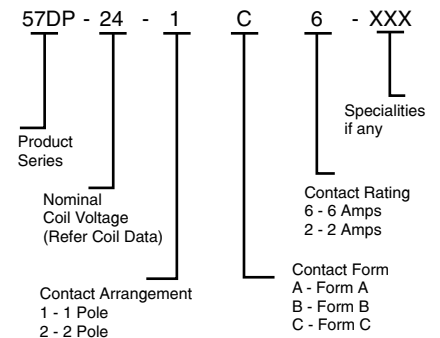
### COIL DATA

| Nominal Voltage VDC | Pick-up Voltage VDC (Max) | Drop-out Voltage VDC (Min) | Coil Resistance in Ohms $\pm 10\%$ |
|---------------------|---------------------------|----------------------------|------------------------------------|
| 6                   | 5                         | 0.5                        | 48                                 |
| 9                   | 7                         | 0.9                        | 100                                |
| 12                  | 9                         | 1.2                        | 150                                |
| 18                  | 14                        | 1.8                        | 380                                |
| 24                  | 18                        | 2.4                        | 605                                |
| 48                  | 36                        | 4.8                        | 2390                               |
| 115                 | 85                        | 11.5                       | 11500                              |

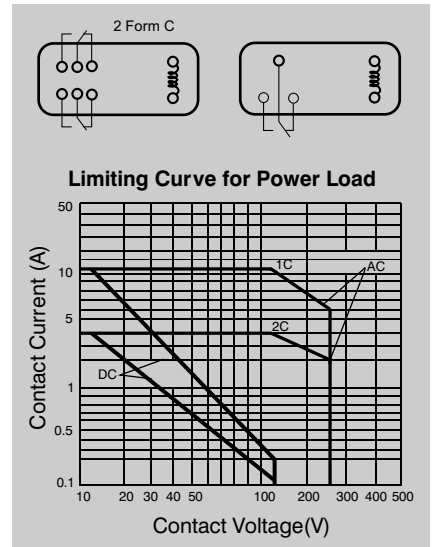
### DRILLING PATTERN



### HOW TO ORDER



### CIRCUIT DIAGRAMS



### DIMENSIONS

