

57F/Flat Cable Welding with Pressure Type



- Intermateable with 57family connectors.
- Highly-reliable, Scoop-Proof Cantilever Contact design.

SPECIFICATION

| | |
|---------------------------------|---|
| Voltage Rating | 250V AC (r.m.s.) |
| Current Rating | 1A/Contact |
| Dielectric Withstanding Voltage | 500V AC (r.m.s.) for 1 minute |
| Insulation Resistance | 1,000M Ω min. at 500V DC |
| Contact Resistance | 35m Ω max. |
| Temperature range | -55°C to +105°C |
| Wire Accommodation | Cable Pitch 1.27mm AWG#28 (stranded and solid) AWG#30 (solid) |

MATERIAL/FINISH

| P/N | MATERIAL/FINISH |
|---------------|--|
| Insulator | PC resin (UL94V-0)/Blue |
| Contact | Copper alloy/Gold over Nickel Plating |
| Strain relife | PC resin (UL94V-0)/Blue to Stainless Steel (36, 50Pin) |
| Spring Latch | Stainless Steel (57F-40Type) |
| Metal Hood | Aluminum cast/Non-conductive paint finish (color : gray) |
| Plastic Hood | ABS resin/Nickel Plating |
| Boots | Vinyl Chloride |

Rack and Panel Plug 10Type

57F-10360-20

F : Without Shield Type

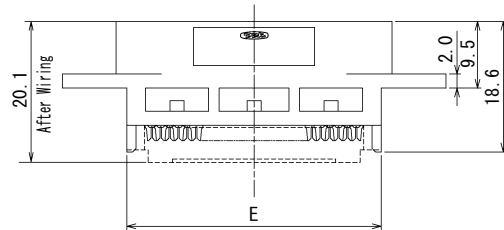
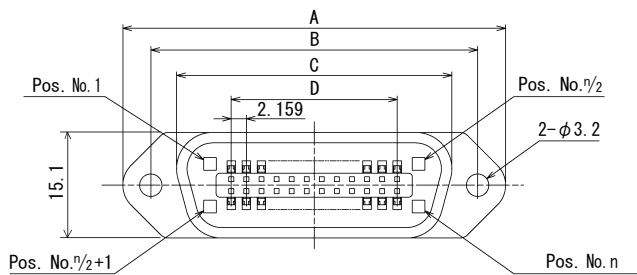
NO.OF.CONTACTS
24, 36, 50

COVER SHAPE AND COLOR

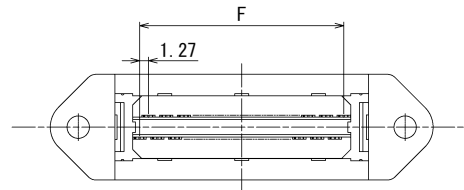
O : Open end cover/Blue
A : Closed end cover/Blue

CONTACT PLATING

1 : Gold ($0.8 \mu\text{m}$) over Nickel Plating
2 : Gold ($0.4 \mu\text{m}$) over Nickel Plating

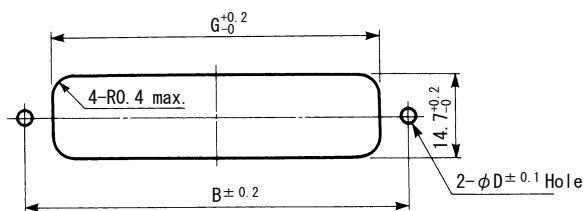


| No. of Contacts | A | B | C | D | E | F |
|-----------------|-------|-------|-------|--------|-------|-------|
| 24 | 54.78 | 46.78 | 39.40 | 23.749 | 36.30 | 29.21 |
| 36 | 67.74 | 59.74 | 52.20 | 36.703 | 51.50 | 44.45 |
| 50 | 82.85 | 74.85 | 67.40 | 51.816 | 68.50 | 62.23 |



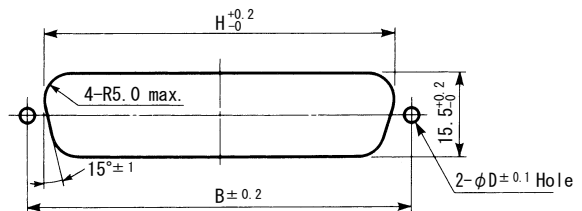
Panel Mounting Dimensions

● Connector Front mount Type



| No. of Contacts | B | D | G |
|-----------------|-------|-----|------|
| 24 | 46.78 | 3.3 | 34.7 |
| 36 | 59.74 | 3.3 | 47.7 |
| 50 | 74.85 | 3.3 | 62.8 |

● Connector Rear mount Type



| No. of Contacts | B | D | H |
|-----------------|-------|-----|------|
| 24 | 46.78 | 3.2 | 40.1 |
| 36 | 59.74 | 3.2 | 53.0 |
| 50 | 74.85 | 3.2 | 68.2 |

■ Plug 30Type

57F-30360-20S

F : Without Shield Type

NO.OF.CONTACTS
14, 24, 36, 50

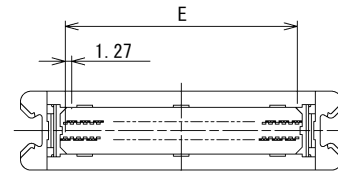
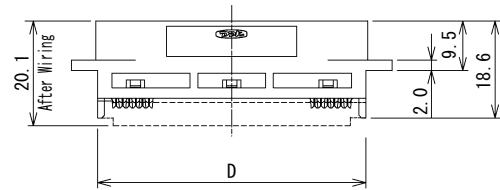
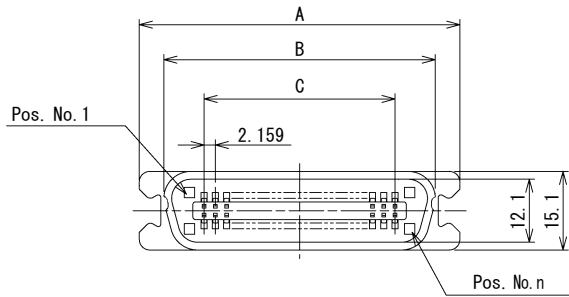
CONTACT PLATING
1 : Gold (0.8 μm) over Nickel Plating
2 : Gold (0.4 μm) over Nickel Plating

STRAIN RELIEF

No Designation : Non strain relief
S : with plastic strain relief (Appendix)
K : with metal strain relief (Appendix)
(36 and 50 contacts only)

COVER SHAPE AND COLOR

O : Open end cover/Blue
A : Closed end cover/Blue



| No. of Contacts | A | B | C | D | E |
|-----------------|-------|------|--------|-------|-------|
| 14 | 37.82 | 28.6 | 12.954 | 23.20 | 16.51 |
| 24 | 48.64 | 39.4 | 23.749 | 36.30 | 29.21 |
| 36 | 61.62 | 52.2 | 36.703 | 51.50 | 44.45 |
| 50 | 76.74 | 67.4 | 51.816 | 68.50 | 62.23 |

Shield Receptacle

57F-40360-20S

NO.OF.CONTACTS
14, 24, 36, 50

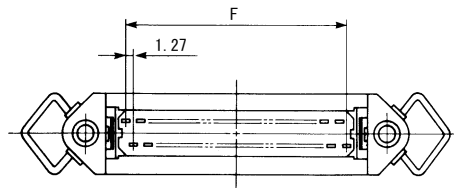
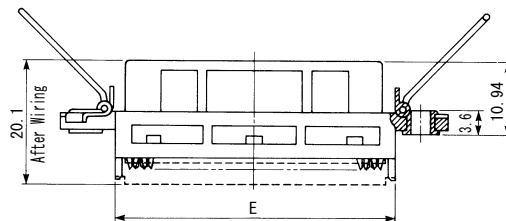
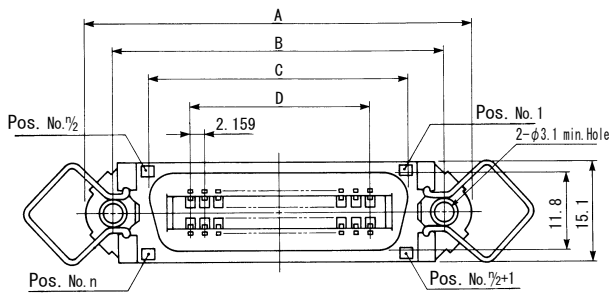
CONTACT PLATING
1 : Gold (0.8 μm) over Nickel Plating
2 : Gold (0.4 μm) over Nickel Plating

STRAIN RELIEF

No Designation : Non strain relief
S : with plastic strain relief (Appendix)
K : with metal strain relief (Appendix)
(36 and 50 contacts only)

COVER SHAPE AND COLOR

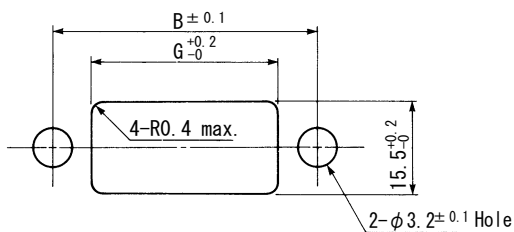
O : Open end cover/Blue
A : Closed end cover/Blue



| No. of Contacts | Size | | | | | |
|-----------------|-------|-------|------|--------|------|-------|
| | A | B | C | D | E | F |
| 14 | 44.00 | 36.00 | 25.2 | 12.954 | 23.2 | 16.51 |
| 24 | 54.78 | 46.78 | 36.1 | 23.749 | 36.3 | 29.21 |
| 36 | 67.74 | 59.74 | 48.9 | 36.703 | 51.5 | 44.45 |
| 50 | 82.85 | 74.85 | 64.0 | 51.816 | 68.5 | 62.23 |

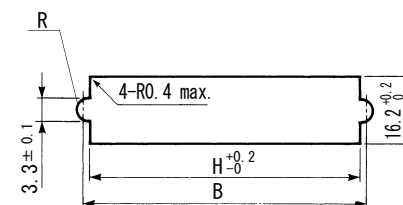
Panel Mounting Dimensions

● Connector Front mount Type



| No. of Contacts | B | G | |
|-----------------|-------|------------------------|--------------------|
| | | With out strain relief | With strain relief |
| 14 | 36.00 | 23.7 | 25.6 |
| 24 | 46.78 | 36.8 | 38.7 |
| 36 | 59.74 | 52.0 | 53.9 |
| 50 | 74.85 | 69.0 | 70.9 |

● Connector Rear mount Type



| No. of Contacts | B | H |
|-----------------|-------|-------|
| 14 | 36.00 | 35.30 |
| 24 | 46.78 | 46.08 |
| 36 | 59.74 | 59.04 |
| 50 | 74.85 | 74.15 |

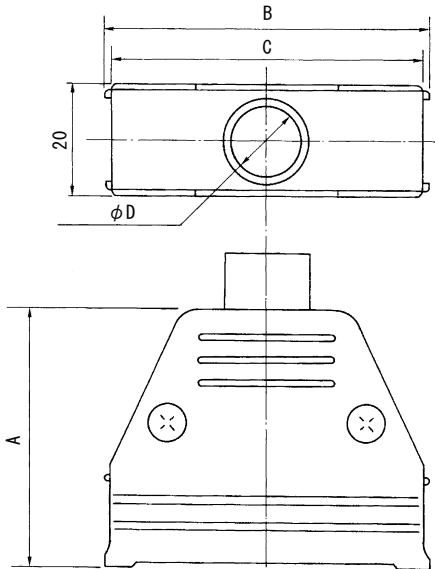
Thickness=1.6mm max.

Note : The Dimension is 16.2 Max. When Mating with 57FE-10Type Connector

■ Hood-Top Cable Entry Metal Hood

57F- H-3R

NO.OF.CONTACTS 14, 24, 36, 50

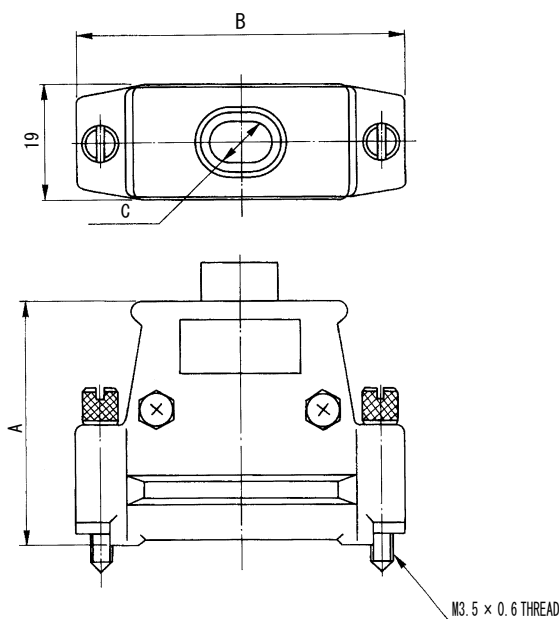


| No. of Contacts | A | B | C | D |
|-----------------|------|-------|------|------|
| 14 | 40.0 | 33.20 | 30.0 | 8.5 |
| 24 | 45.5 | 44.00 | 39.8 | 10.0 |
| 36 | 45.5 | 57.00 | 55.0 | 12.0 |
| 50 | 45.5 | 72.10 | 70.9 | 13.0 |

■ Hood-Top Cable Entry Metallized Plastic Hood

57FE- H-CF

NO.OF.CONTACTS 24, 36, 50



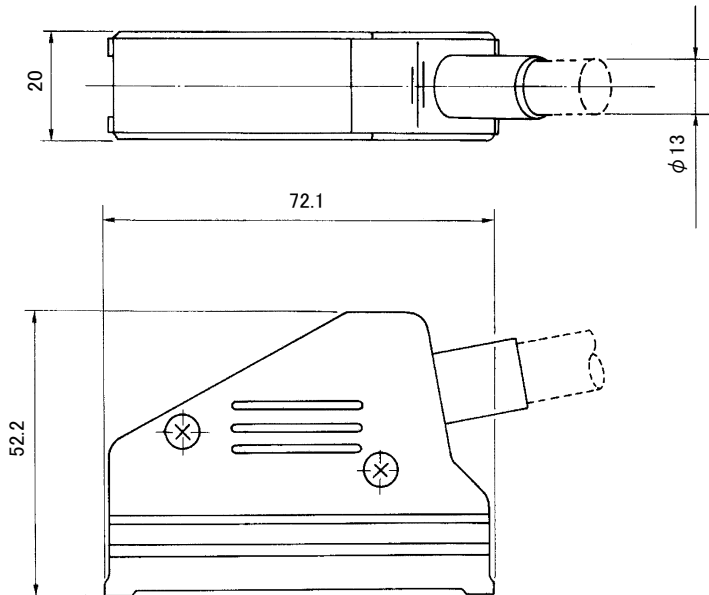
| No. of Contacts | A | B | C |
|-----------------|----|----|----|
| 24 | 41 | 55 | 10 |
| 36 | 44 | 68 | 12 |
| 50 | 44 | 83 | 13 |

Unit : mm

Side Cable Entry Metal Hood

57F-50LH-3R

Connector 50 Pin only



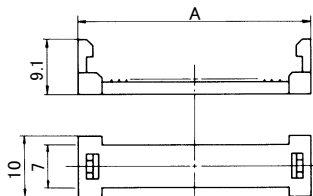
Strain Relief

Plastic Strain Relief

57F-50-041

NO.OF.CONTACTS 14, 24, 36, 50

• MATERIAL/FINISH • • Polycarbonate Resin (UL94V-O)/Blue



| No. of Contacts | A |
|-----------------|------|
| 14 | 25.1 |
| 24 | 38.2 |
| 36 | 53.4 |
| 50 | 70.4 |

Wiring Tool

- Cable Cutting Tool : 357J-4256
- Press-Fitting Tool : 357J-4674D Attachment 357J-4668