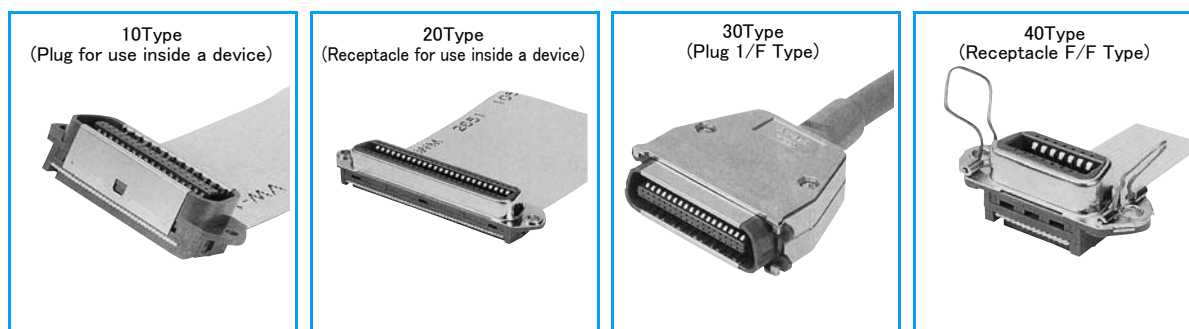


Flat Ribbon Cable Connectors EMI/RFI Shielding Version



- Highly-reliable, Scoop-Proof Cantilever Contact design.
- There are 10, 20, 30 and 40type of basic Kinds.

SPECIFICATION

Voltage Rating	250V AC (r.m.s.)
Current Rating	1A/Contact
Dielectric Withstanding Voltage	500V AC (r.m.s.) for 1 minute
Insulation Resistance	1,000M Ω min. at 500V DC
Contact Resistance	35m Ω max.
Operational Temperature	-55°C to +105°C
Applicable Cable	Cable Pitch 1.27mm AWG#28 (stranded and solid) AWG#30 (solid)

MATERIAL/FINISH

P/N	MATERIAL/FINISH
Insulator	PC resin (UL94V-0)/Blue
Contact	Copper alloy/Gold over Nickel Plating
Shell	Brass, at Steel/Nickel Plating (57FE-20, 40Type)
Strain relife	PC resin/(UL94V-0)/Blue, at Stenless Steel (36Pin, 50Pin)
Earth plate	Brass/Nickel Plating(57FE-10, 30Type)
Spring Latch	Stenless (57F/FE-40Type)
Hood (metal)	Aluminum cast/Non-conductive paint finish (color : gray)
Hood (plastic)	ABS resin/Nickel Plating
Boots	Vinyl Chloride (57FE-30Type)

Rack and Panel Plug 10Type

57FE-10360-20

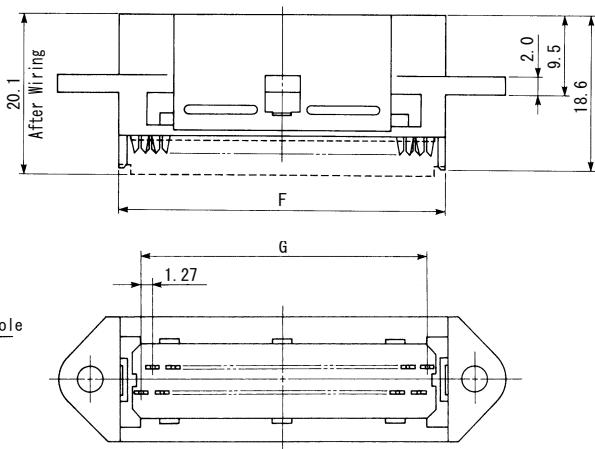
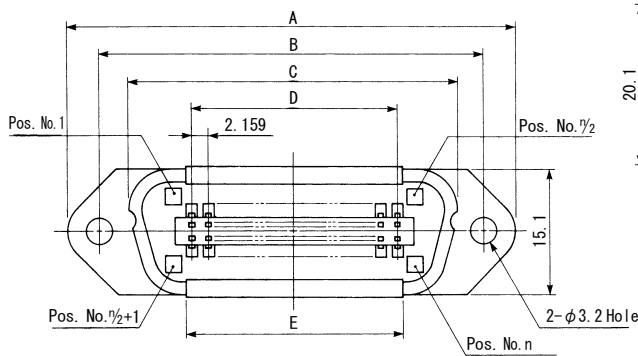
FE : Shield Type

NO.OF.CONTACTS
 24, 36, 50

COVER SHAPE AND COLOR

 O : Open end cover/Blue
 A : Closed end cover/Blue

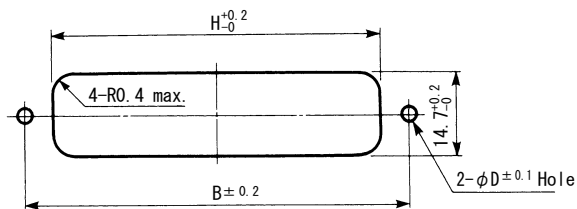
CONTACT PLATING

 1 : Gold (0.8 μm) over Nickel Plating
 2 : Gold (0.4 μm) over Nickel Plating


No. of Contacts	A	B	C	D	E	F	G
24	54.78	46.78	39.40	23.749	26.0	36.30	29.21
36	67.74	59.74	52.20	36.703	38.0	51.50	44.45
50	82.85	74.85	67.40	51.816	53.0	68.50	62.23

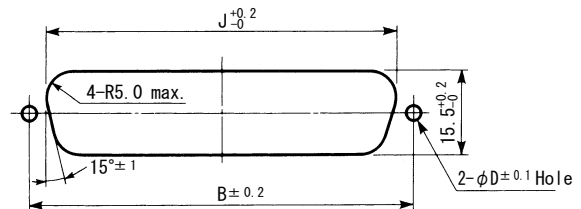
Panel Mounting Dimensions

● Connector Front mount Type



No. of Contacts	B	D	H
24	46.78	3.3	34.7
36	59.74	3.3	47.7
50	74.85	3.3	62.8

● Connector Rear mount Type



No. of Contacts	B	D	J
24	46.78	3.2	40.1
36	59.74	3.2	53.0
50	74.85	3.2	68.2

Rack and Panel Receptacle 20Type

57FE-20360-20S

NO.OF.CONTACTS
14, 24, 36, 50

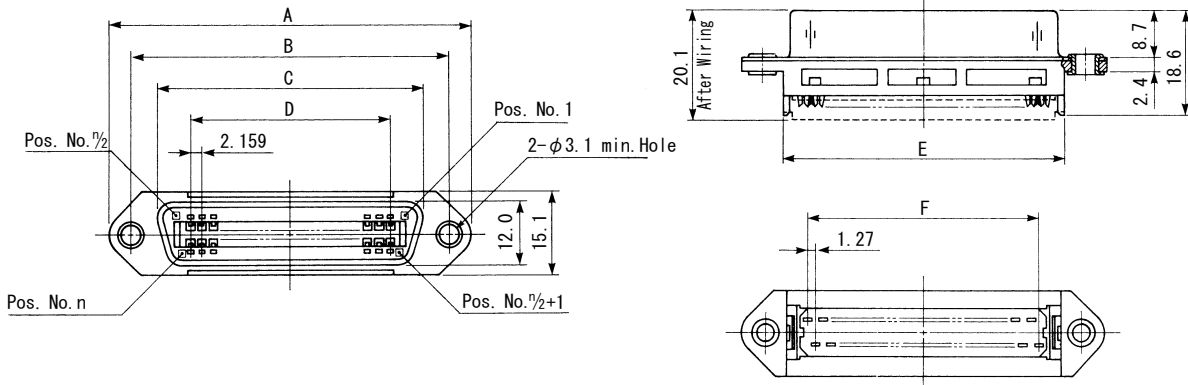
CONTACT PLATING
1 : Gold (0.8 μm) over Nickel Plating
2 : Gold (0.4 μm) over Nickel Plating

STRAIN RELIEF

No Designation : Non strain relief
S : with plastic strain relief (Appendix)
K : with metal strain relief (Appendix)
(36 and 50 contacts only)

COVER SHAPE AND COLOR

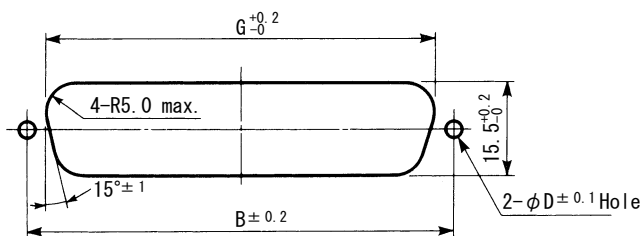
O : Open end cover/Blue
A : Closed end cover/Blue



No. of Contacts	A	B	C	D	E	F
24	54.78	46.78	36.2	23.749	36.30	29.21
36	67.74	59.74	49.0	36.703	51.50	44.45
50	82.85	74.85	64.2	51.816	68.50	62.23

Panel Mounting Dimensions

● Connector Rear mount Type



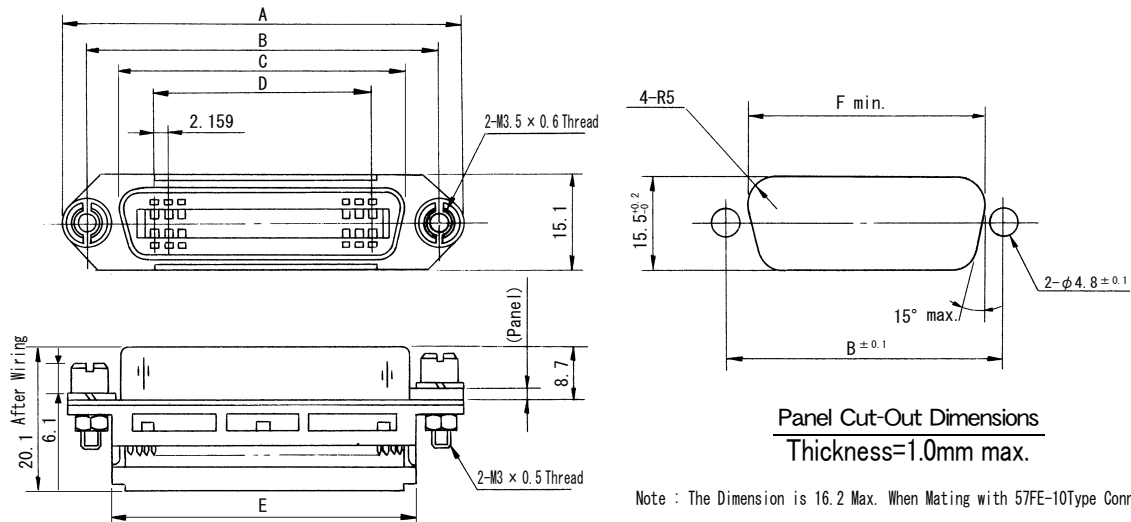
No. of Contacts	B	D	G
24	46.78	4.8	40.1
36	59.74	4.8	53.0
50	74.85	4.8	68.2

Note : The Dimension is 16.2 Max. When Mating with 57FE-10Type Connector

Panel Receptacle(Tapping screw type)

57FE-20500-20SD35-CG

NO.OF.CONTACTS 14, 24, 36, 50	DEVIATION D35 : With Jack socket
CONTACT PLATING 1 : Gold (0.8 μm) over Nickel Plating 2 : Gold (0.4 μm) over Nickel Plating	STRAIN RELIEF No Designation : Non strain relief S : with plastic strain relief (Appendix) K : with metal strain relief (Appendix) (36 and 50 contacts only)
COVER SHAPE AND COLOR O : Open end cover/Blue A : Closed end cover/Blue	



No.of Contacts	A	B	C	D	E	F
14	44.00	36.00	25.4	12.954	23.20	29.3
24	54.78	46.78	36.2	23.749	36.30	40.1
36	67.74	59.74	49.0	36.703	51.50	53.0
50	82.85	74.85	64.2	51.816	68.50	68.2

■ Plug 30Type

57FE-30360-20S

FE : Shield Type

NO.OF.CONTACTS
14, 24, 36, 50

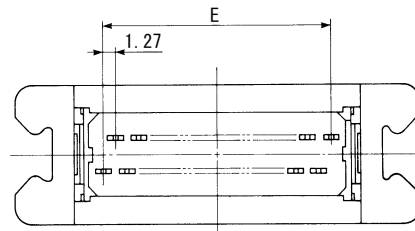
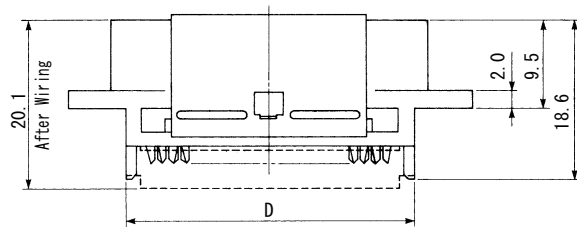
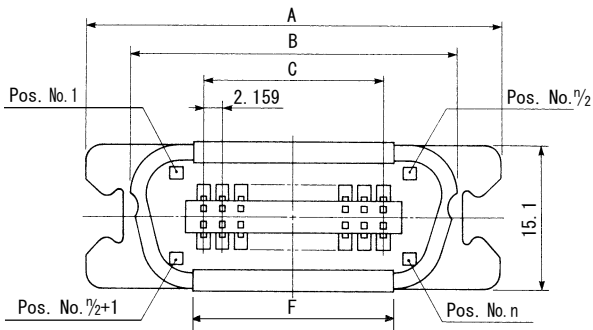
CONTACT PLATING
1 : Gold (0.8 μm) over Nickel Plating
2 : Gold (0.4 μm) over Nickel Plating

STRAIN RELIEF

No Designation : Non strain relief
S : with plastic strain relief (Appendix)
K : with metal strain relief (Appendix)
(36 and 50 contacts only)

COVER SHAPE AND COLOR

O : Open end cover/Blue
A : Closed end cover/Blue



No. of Contacts	A	B	C	D	E	F
14	37.82	28.6	12.954	23.20	16.51	17.0
24	48.64	39.4	23.749	36.30	29.21	26.0
36	61.62	52.2	36.703	51.50	44.45	38.0
50	76.74	67.4	51.816	68.50	62.23	53.0

Shield Receptacle 40Type

57FE-40360-20S

NO.OF.CONTACTS
14, 24, 36, 50

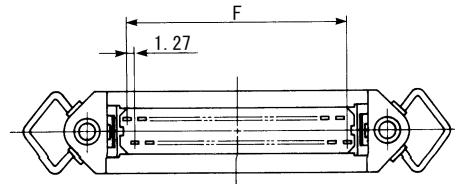
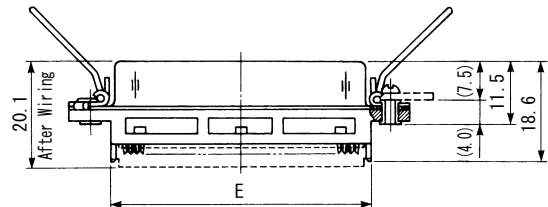
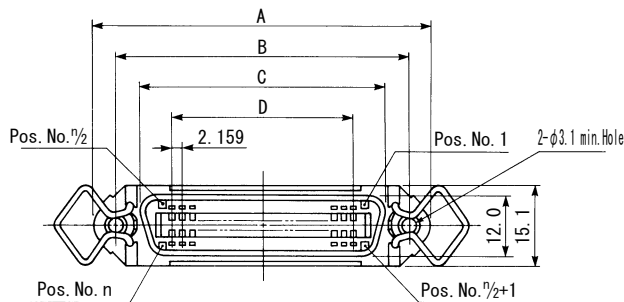
CONTACT PLATING
1 : Gold (0.8 μm) over Nickel Plating
2 : Gold (0.4 μm) over Nickel Plating

STRAIN RELIEF

No Designation : Non strain relief
S : with plastic strain relief (Appendix)
K : with metal strain relief (Appendix)
(36 and 50 contacts only)

COVER SHAPE AND COLOR

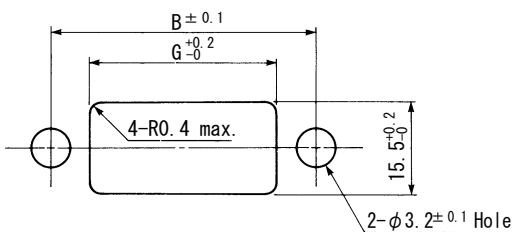
O : Open end cover/Blue
A : Closed end cover/Blue



No. of Contacts	Size					
	A	B	C	D	E	F
14	44.00	36.00	25.4	12.954	23.2	16.51
24	54.78	46.78	36.2	23.749	36.3	29.21
36	67.74	59.74	49.0	36.703	51.5	44.45
50	82.85	74.85	64.2	51.816	68.5	62.23

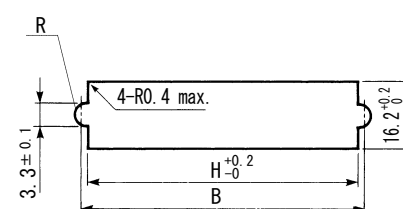
Panel Mounting Dimensions

● Connector Front mount Type



No. of Contacts	B	G	
		With out strain relief	With strain relief
14	36.00	23.7	25.6
24	46.78	36.8	38.7
36	59.74	52.0	53.9
50	74.85	69.0	70.9

● Connector Rear mount Type



No. of Contacts	B	H
14	36.00	35.30
24	46.78	46.08
36	59.74	59.04
50	74.85	74.15

Thickness=1.6mm max.

Note : The Dimension is 16.2 Max. When Mating with 57FE-10Type Connector

Receptacles-With 90° bent spring latch

57FE-40240-20S(D20)

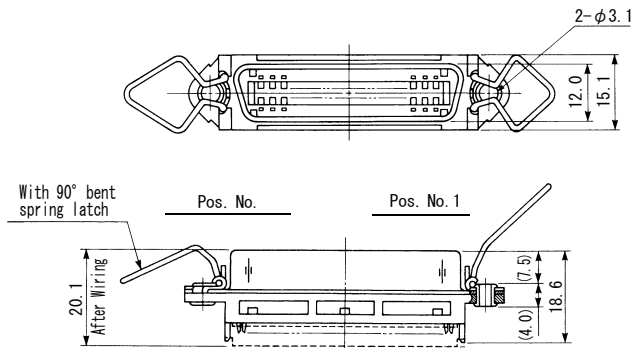
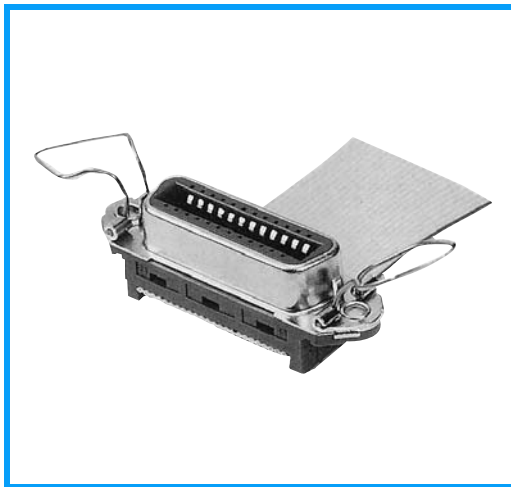
STRAIN RELIEF

S : With Plastic Strain reliefe
K : With Metal Strain reliefe

DEVIATION

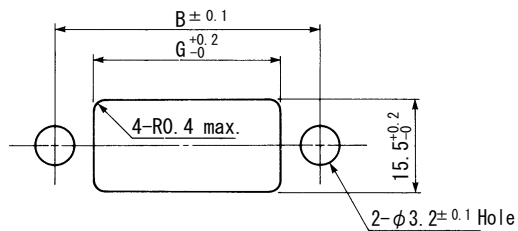
With 90° bent spring latch

(Open end Cover 24Contact only)



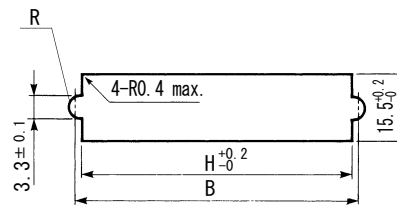
Panel Mounting Dimensions

● Connector Front mount Type



No. of Contacts	B	G	
		With out strain relief	With strain relief
14	36.00	23.7	25.6
24	46.78	36.8	38.7
36	59.74	52.0	53.9
50	74.85	69.0	70.9

● Connector Rear mount Type



No. of Contacts	B	H
14	36.00	35.30
24	46.78	46.08
36	59.74	59.04
50	74.85	74.15

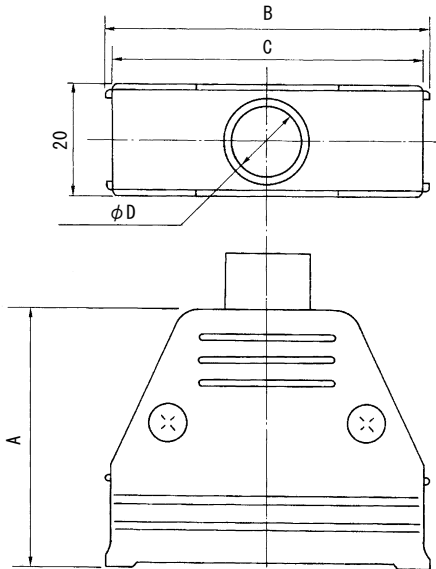
Thickness=1.6mm max.

Note : The Dimension is 16.2 Max. When Mating with 57FE-10Type Connector

■ Hood-Top Cable Entry Metal Hood

57F- H-3R

NO.OF.CONTACTS 14, 24, 36, 50

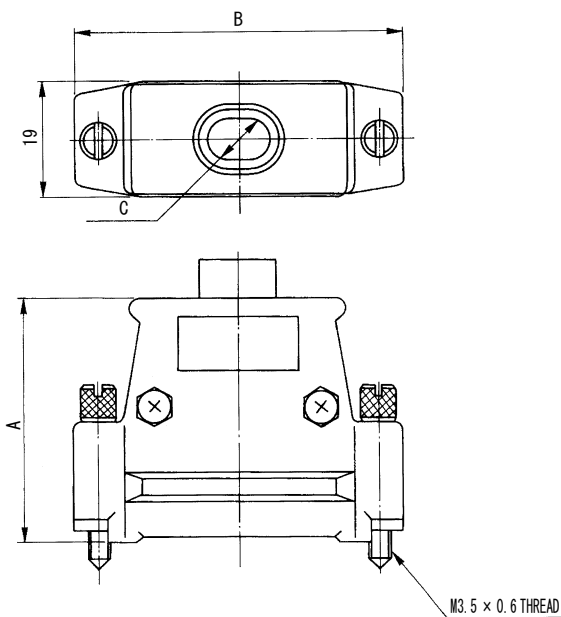


No. of Contacts	A	B	C	D
14	40.0	33.20	30.0	8.5
24	45.5	44.00	39.8	10.0
36	45.5	57.00	55.0	12.0
50	45.5	72.10	70.9	13.0

■ HOOD-Top Cable Entry Metallized Plastic Hood

57FE- H-CF

NO.OF.CONTACTS 24, 36, 50



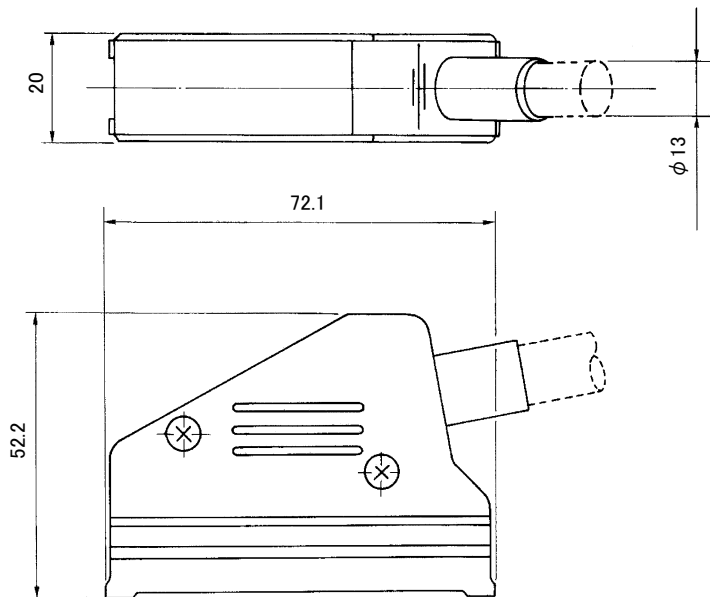
No. of Contacts	A	B	C
24	41	55	10
36	44	68	12
50	44	83	13

N
57FE

Side Cable Entry Metal Hood

57F-50LH-3R

Connector 50 contact only



Strain Relief

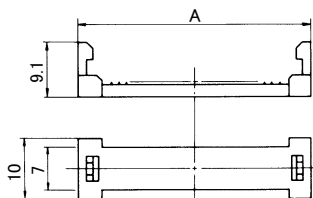
With Ltype Aluminum alloy diecastings, 50contact only.

Plastic Strain Relief

57F-50-041

NO.OF.CONTACTS 14, 24, 36, 50

• MATERIAL/FINISH • • Polycarbonate Resin(UL94V-O)/Blue



No. of Contacts	A
14	25.1
24	38.2
36	53.4
50	70.4

Wiring Tool

- Cable Cutting Tool :357J-4256
- Press-Fitting Tool :357J-4674D Attachment357J-4668