

# Right Angle Solder Termination Connectors

## 57RE Series



### OUTLINE

- 57RE series is light-weight and low cost version of 57LE series to unify end disc latches with shell and insulator with locator.
- Metalized shell for EMI Shield
- Intermatable with each 57, 57F, 57FE, 57JE series plug connectors.
- UL applied (File No. E72124)

### SPECIFICATIONS

|                                 |                                  |
|---------------------------------|----------------------------------|
| Rated Voltage                   | 500V AC (r.m.s.)                 |
| Rated Current                   | 3A / Contact                     |
| Dielectric Withstanding Voltage | 1200V AC (r.m.s.) at 1 minute    |
| Insulation Resistance           | 1000M $\Omega$ (min.) at 500V DC |
| Contact Resistance              | 35m $\Omega$ (max.)              |
| Operating Temperature           | -55°C~ 105°C                     |

### MATERIAL/FINISH

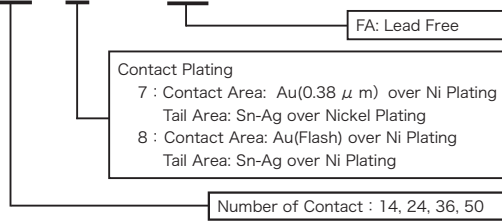


| ITEM      | MATERIAL/FINISH                   |
|-----------|-----------------------------------|
| Insulator | PBT Resin(UL94V-0) / Black        |
| Shell     | Steel or Brass / Ni Plating       |
| Contact   | Copper Alloy / Au over Ni Plating |
| Bail Lock | Stainless Steel                   |

© Specifications and/or dimensions in this catalogue are subject to change without notice.  
Your catalogue checking the latest specifications with our drawings would be highly appreciated.

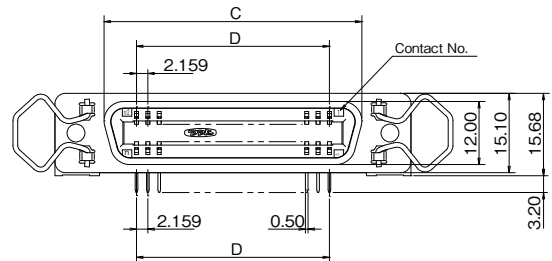
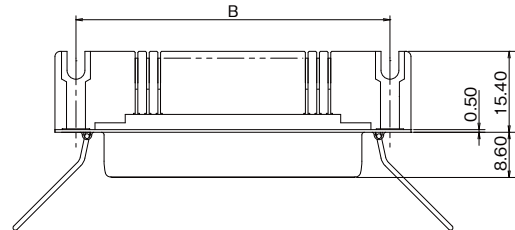
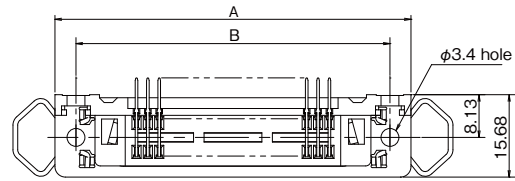
## ▶ Standard Type (Less Ground Tab)

### 57RE-40360-830B-FA



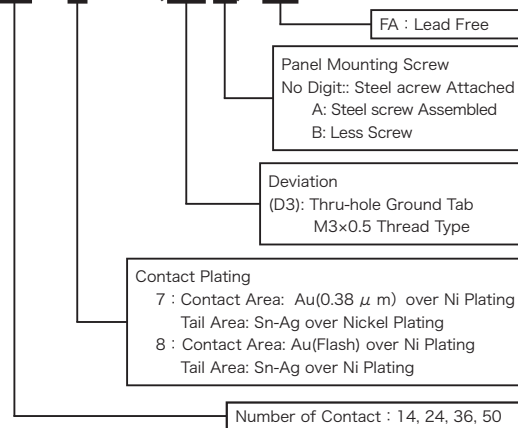
| Part Number        | Number of Contact | A     | B     | C     | D      | E     |
|--------------------|-------------------|-------|-------|-------|--------|-------|
| 57RE-40140-□30B-FA | 14                | 44.00 | 36.00 | 25.36 | 12.954 | 35.30 |
| 57RE-40240-□30B-FA | 24                | 54.78 | 46.78 | 36.23 | 23.749 | 46.08 |
| 57RE-40360-□30B-FA | 36                | 67.74 | 59.74 | 49.05 | 36.703 | 59.04 |
| 57RE-40500-□30B-FA | 50                | 82.85 | 74.85 | 64.22 | 51.816 | 74.15 |

※ Panel mounting cut-out dimensions, PCB mounting dimensions : Type 1  
 (Refer to page 5.)



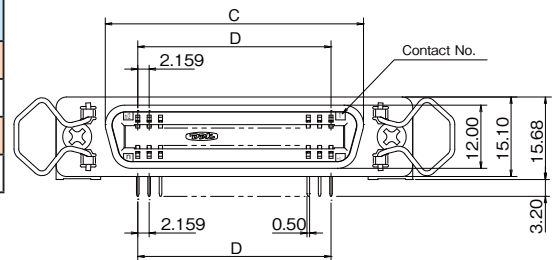
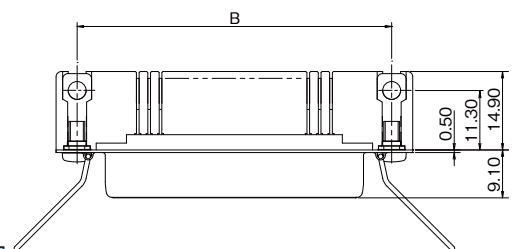
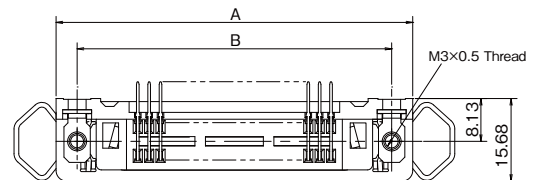
## ▶ With Thru-hole Ground Tab

### 57RE-40360-830B(D3B)-FA



| Part Number              | Number of Contact | A     | B     | C     | D      | E     |
|--------------------------|-------------------|-------|-------|-------|--------|-------|
| 57RE-40140-□30B (D3□)-FA | 14                | 44.00 | 36.00 | 25.36 | 12.954 | 35.30 |
| 57RE-40240-□30B (D3□)-FA | 24                | 54.78 | 46.78 | 36.23 | 23.749 | 46.08 |
| 57RE-40360-□30B (D3□)-FA | 36                | 67.74 | 59.74 | 49.05 | 36.703 | 59.04 |
| 57RE-40500-□30B (D3□)-FA | 50                | 82.85 | 74.85 | 64.22 | 51.816 | 74.15 |

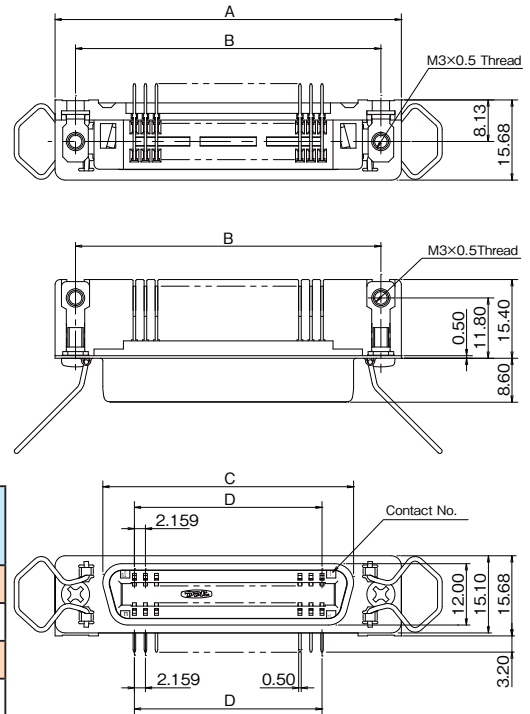
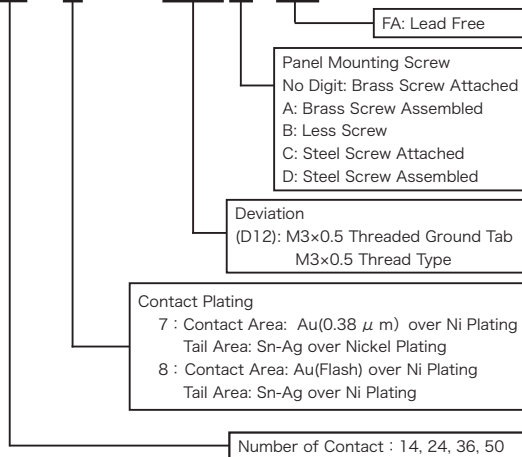
※ Panel mounting cut-out dimensions, PCB mounting dimensions : Type 1  
 (Refer to page 5.)



※ The connector as above drawing is assembled panel mounting screws.

▶ With M3×0.5 Threaded Ground Tab

57RE-40360-830B(D12B)-FA



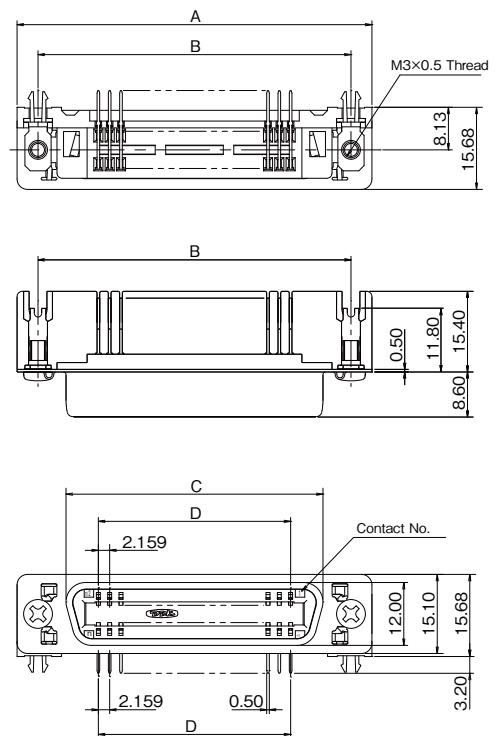
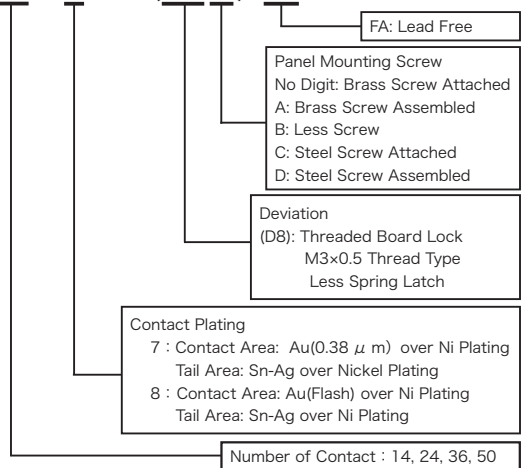
| Part Number                | Number of Contact | A     | B     | C     | D      | E     |
|----------------------------|-------------------|-------|-------|-------|--------|-------|
| 57RE-40140-□30B (D12□) -FA | 14                | 44.00 | 36.00 | 25.36 | 12.954 | 35.30 |
| 57RE-40240-□30B (D12□) -FA | 24                | 54.78 | 46.78 | 36.23 | 23.749 | 46.08 |
| 57RE-40360-□30B (D12□) -FA | 36                | 67.74 | 59.74 | 49.05 | 36.703 | 59.04 |
| 57RE-40500-□30B (D12□) -FA | 50                | 82.85 | 74.85 | 64.22 | 51.816 | 74.15 |

※ Panel mounting cut-out dimensions, PCB mounting dimensions : Type 1  
(Refer to page 5.)

※ The connector as above drawing is assembled panel mounting screws.

▶ With Threaded Board Lock / Less Bail Locks

57RE-40360-830B(D8B)-FA



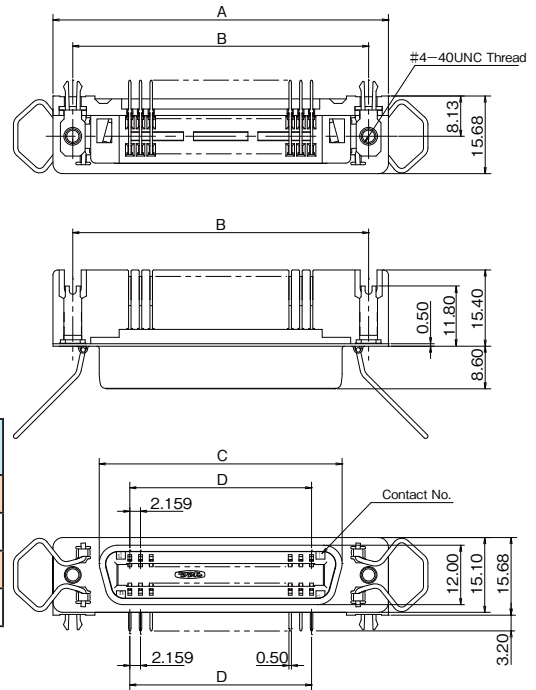
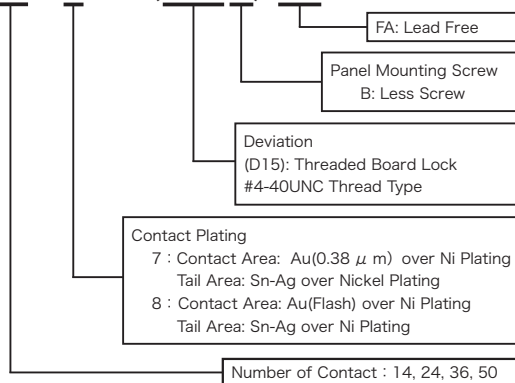
| Part Number               | Number of Contact | A     | B     | C     | D      | E     |
|---------------------------|-------------------|-------|-------|-------|--------|-------|
| 57RE-40140-□30B (D8□) -FA | 14                | 44.00 | 36.00 | 25.36 | 12.954 | 35.30 |
| 57RE-40240-□30B (D8□) -FA | 24                | 54.78 | 46.78 | 36.23 | 23.749 | 46.08 |
| 57RE-40360-□30B (D8□) -FA | 36                | 67.74 | 59.74 | 49.05 | 36.703 | 59.04 |
| 57RE-40500-□30B (D8□) -FA | 50                | 82.85 | 74.85 | 64.22 | 51.816 | 74.15 |

※ Panel mounting cut-out dimensions, PCB mounting dimensions : Type 2  
(Refer to page 5.)

※ The connector as above drawing is assembled panel mounting screws.

▶ With Threaded Board Lock

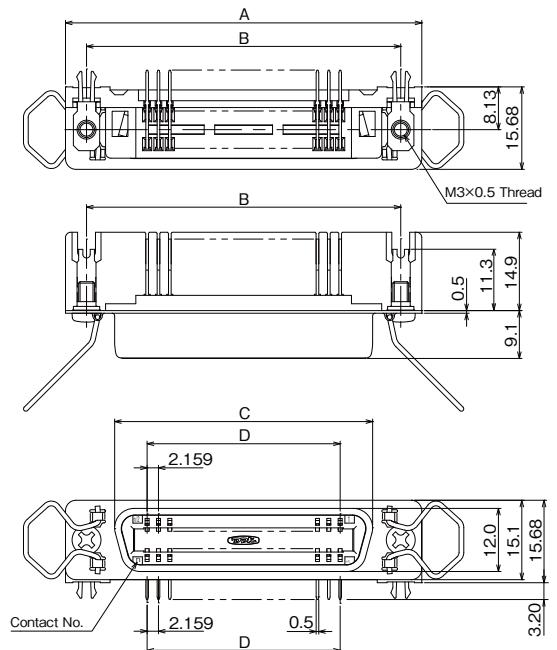
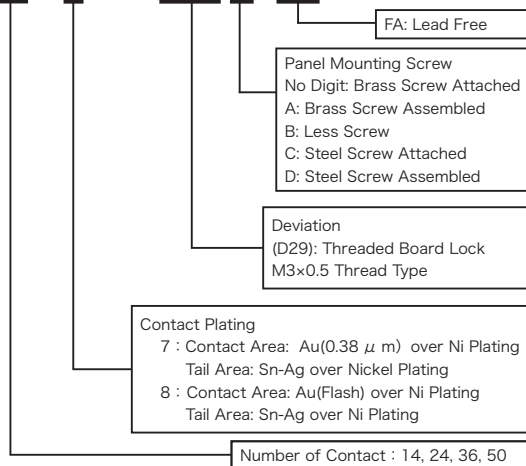
57RE-40360-830B(D15B)-FA



| Part Number               | Number of Contact | A     | B     | C     | D      | E     |
|---------------------------|-------------------|-------|-------|-------|--------|-------|
| 57RE-40140-□30B (D15□)-FA | 14                | 44.00 | 36.00 | 25.36 | 12.954 | 35.30 |
| 57RE-40240-□30B (D15□)-FA | 24                | 54.78 | 46.78 | 36.23 | 23.749 | 46.08 |
| 57RE-40360-□30B (D15□)-FA | 36                | 67.74 | 59.74 | 49.05 | 36.703 | 59.04 |
| 57RE-40500-□30B (D15□)-FA | 50                | 82.85 | 74.85 | 64.22 | 51.816 | 74.15 |

※ Panel mounting cut-out dimensions, PCB mounting dimensions : Type 2  
(Refer to page 5.)

57RE-40360-830B(D29B)-FA

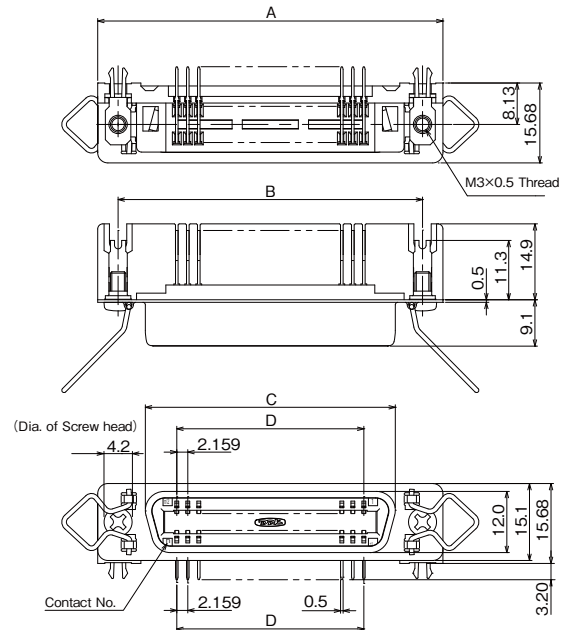
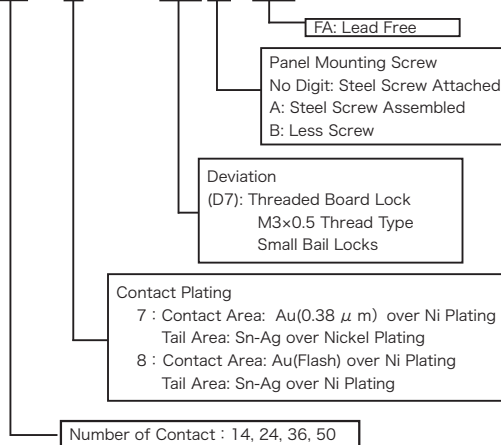


※ The connector as above drawing is assembled panel mounting screws.

| Part Number               | Number of Contact | A     | B     | C     | D      | E     |
|---------------------------|-------------------|-------|-------|-------|--------|-------|
| 57RE-40140-□30B (D29□)-FA | 14                | 44.00 | 36.00 | 25.36 | 12.954 | 35.30 |
| 57RE-40240-□30B (D29□)-FA | 24                | 54.78 | 46.78 | 36.23 | 23.749 | 46.08 |
| 57RE-40360-□30B (D29□)-FA | 36                | 67.74 | 59.74 | 49.05 | 36.703 | 59.04 |
| 57RE-40500-□30B (D29□)-FA | 50                | 82.85 | 74.85 | 64.22 | 51.816 | 74.15 |

※ Panel mounting cut-out dimensions, PCB mounting dimensions : Type 2  
(Refer to page 5.)

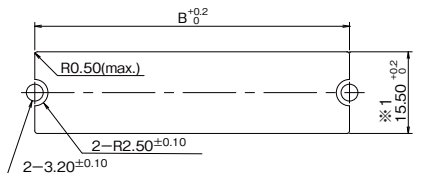
© Specifications and/or dimensions in this catalogue are subject to change without notice.  
Your catalogue checking the latest specifications with our drawings would be highly appreciated.

**▶ With Threaded Board Lock / Small Bail Locks**
**57RE-40360-830B(D7B)-FA**


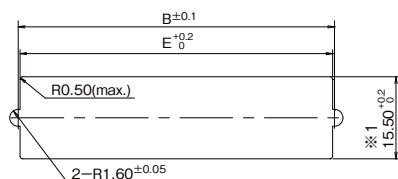
| Part Number              | Number of Contact | A     | B     | C     | D      | E     |
|--------------------------|-------------------|-------|-------|-------|--------|-------|
| 57RE-40140-□30B-(D7□)-FA | 14                | 44.00 | 36.00 | 25.36 | 12.954 | 35.30 |
| 57RE-40240-□30B-(D7□)-FA | 24                | 54.78 | 46.78 | 36.23 | 23.749 | 46.08 |
| 57RE-40360-□30B-(D7□)-FA | 36                | 67.74 | 59.74 | 49.05 | 36.703 | 59.04 |
| 57RE-40500-□30B-(D7□)-FA | 50                | 82.85 | 74.85 | 64.22 | 51.816 | 74.15 |

※ Panel mounting cut-out dimensions, PCB mounting dimensions : Type 2  
(Refer to page 5.)

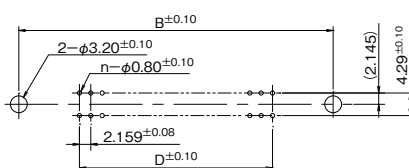
※ The connector as above drawing is assembled panel mounting screws.

**▶ Panel Cut-out Dimensions & PCB Mounting Dimensions**
**Type 1**


Panel Cut-out Dimensions Thickness 1.60(max.)  
(Front Mounting)

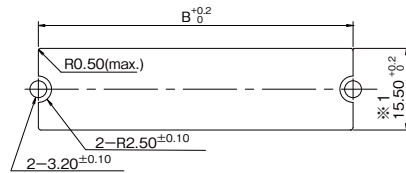


Panel Cut-out Dimensions Thickness 1.60(max.)  
(Rear Mounting)

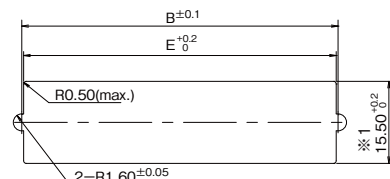


PCB Mounting Dimensions Thickness 1.60 $^{±0.19}$

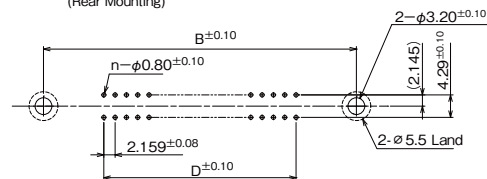
※ 1 : When the mating connector is 57F or 57FE series,  
the size ※1 is 16.20 $^{+0.2}_0$ .

**Type 2**


Panel Cut-out Dimensions Thickness 1.60(max.)  
(Front Mounting)



Panel Cut-out Dimensions Thickness 1.60(max.)  
(Rear Mounting)



PCB Mounting Dimensions Thickness 1.60 $^{±0.19}$

※ 1 : When the mating connector is 57F or 57FE series,  
the size ※1 is 16.20 $^{+0.2}_0$ .