

Right Angle Solder Termination Connectors

57RE Series



OUTLINE

- 57RE series is light-weight and low cost version of 57LE series to unify end disc latches with shell and insulator with locator.
- Metalized shell for EMI Shield
- Intermatable with each 57, 57F, 57FE, 57JE series plug connectors.
- UL applied (File No. E72124)

SPECIFICATIONS

Rated Voltage	500V AC (r.m.s.)
Rated Current	3A / Contact
Dielectric Withstanding Voltage	1200V AC (r.m.s.) at 1 minute
Insulation Resistance	1000M Ω (min.) at 500V DC
Contact Resistance	35m Ω (max.)
Operating Temperature	-55°C~ 105°C

MATERIAL/FINISH

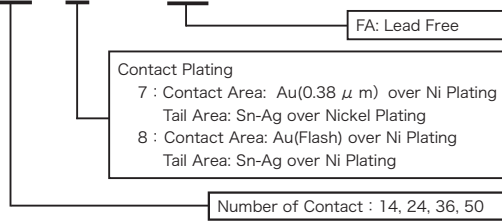


ITEM	MATERIAL/FINISH
Insulator	PBT Resin(UL94V-0) / Black
Shell	Steel or Brass / Ni Plating
Contact	Copper Alloy / Au over Ni Plating
Bail Lock	Stainless Steel

© Specifications and/or dimensions in this catalogue are subject to change without notice.
Your catalogue checking the latest specifications with our drawings would be highly appreciated.

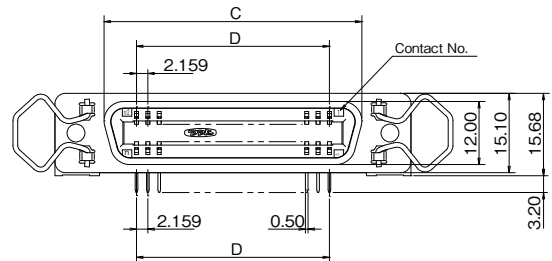
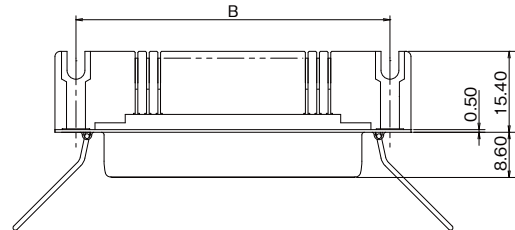
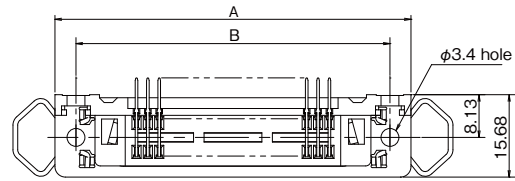
▶ Standard Type (Less Ground Tab)

57RE-40360-830B-FA



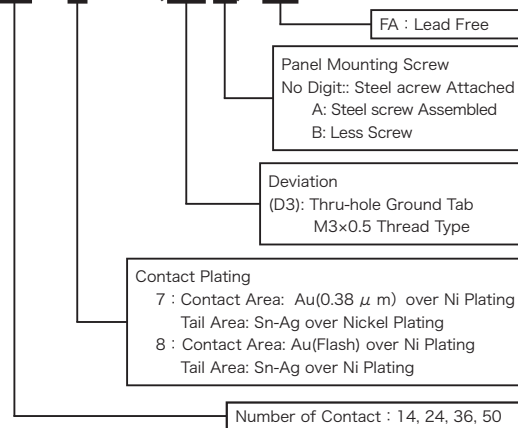
Part Number	Number of Contact	A	B	C	D	E
57RE-40140-□30B-FA	14	44.00	36.00	25.36	12.954	35.30
57RE-40240-□30B-FA	24	54.78	46.78	36.23	23.749	46.08
57RE-40360-□30B-FA	36	67.74	59.74	49.05	36.703	59.04
57RE-40500-□30B-FA	50	82.85	74.85	64.22	51.816	74.15

※ Panel mounting cut-out dimensions, PCB mounting dimensions : Type 1
 (Refer to page 5.)



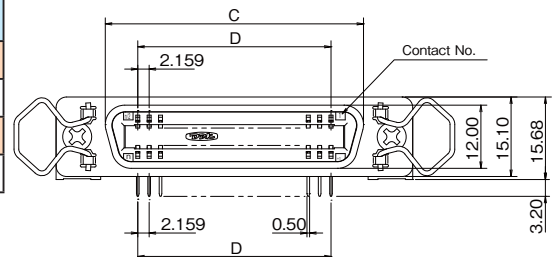
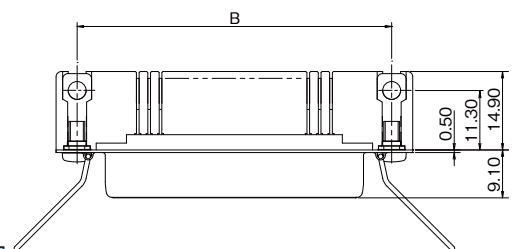
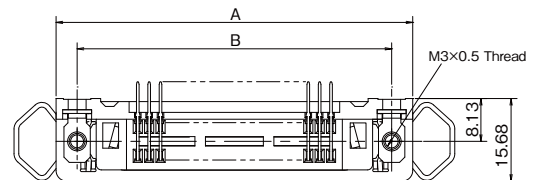
▶ With Thru-hole Ground Tab

57RE-40360-830B(D3B)-FA



Part Number	Number of Contact	A	B	C	D	E
57RE-40140-□30B (D3□)-FA	14	44.00	36.00	25.36	12.954	35.30
57RE-40240-□30B (D3□)-FA	24	54.78	46.78	36.23	23.749	46.08
57RE-40360-□30B (D3□)-FA	36	67.74	59.74	49.05	36.703	59.04
57RE-40500-□30B (D3□)-FA	50	82.85	74.85	64.22	51.816	74.15

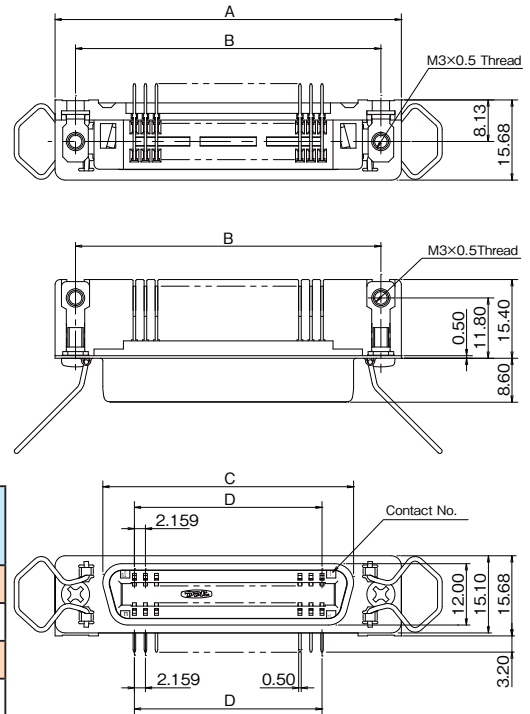
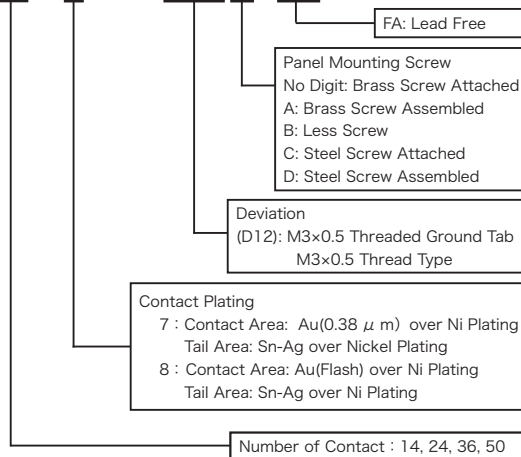
※ Panel mounting cut-out dimensions, PCB mounting dimensions : Type 1
 (Refer to page 5.)



※ The connector as above drawing is assembled panel mounting screws.

▶ With M3×0.5 Threaded Ground Tab

57RE-40360-830B(D12B)-FA



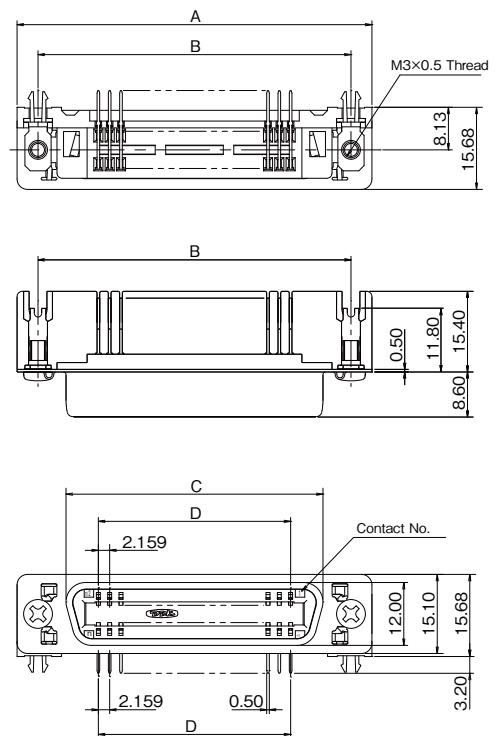
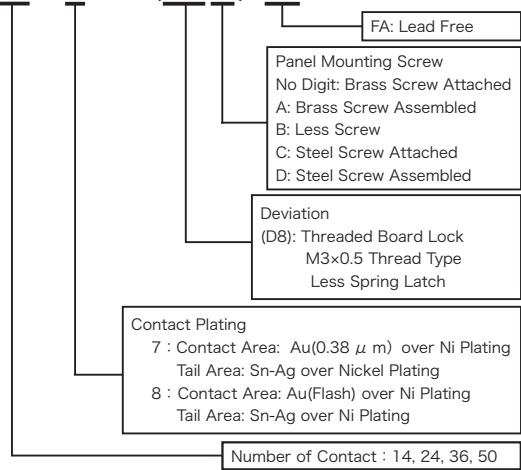
Part Number	Number of Contact	A	B	C	D	E
57RE-40140-□30B (D12□) -FA	14	44.00	36.00	25.36	12.954	35.30
57RE-40240-□30B (D12□) -FA	24	54.78	46.78	36.23	23.749	46.08
57RE-40360-□30B (D12□) -FA	36	67.74	59.74	49.05	36.703	59.04
57RE-40500-□30B (D12□) -FA	50	82.85	74.85	64.22	51.816	74.15

※ Panel mounting cut-out dimensions, PCB mounting dimensions : Type 1
(Refer to page 5.)

※ The connector as above drawing is assembled panel mounting screws.

▶ With Threaded Board Lock / Less Bail Locks

57RE-40360-830B(D8B)-FA



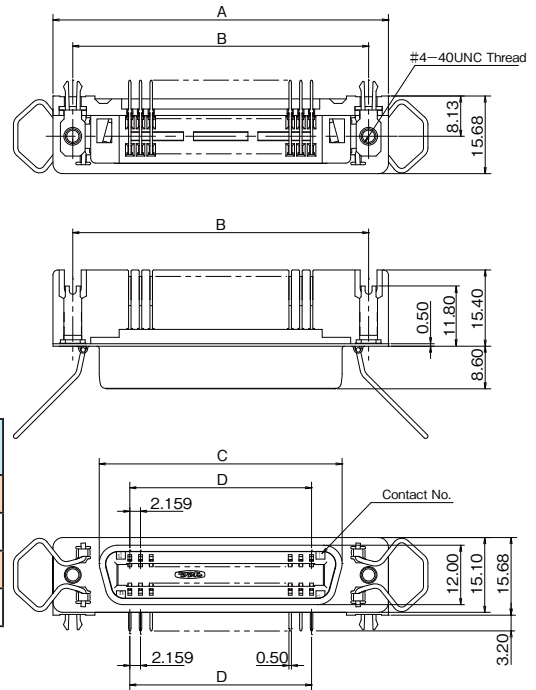
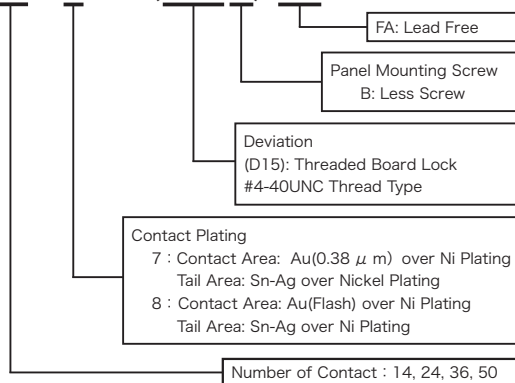
Part Number	Number of Contact	A	B	C	D	E
57RE-40140-□30B (D8□) -FA	14	44.00	36.00	25.36	12.954	35.30
57RE-40240-□30B (D8□) -FA	24	54.78	46.78	36.23	23.749	46.08
57RE-40360-□30B (D8□) -FA	36	67.74	59.74	49.05	36.703	59.04
57RE-40500-□30B (D8□) -FA	50	82.85	74.85	64.22	51.816	74.15

※ Panel mounting cut-out dimensions, PCB mounting dimensions : Type 2
(Refer to page 5.)

※ The connector as above drawing is assembled panel mounting screws.

▶ With Threaded Board Lock

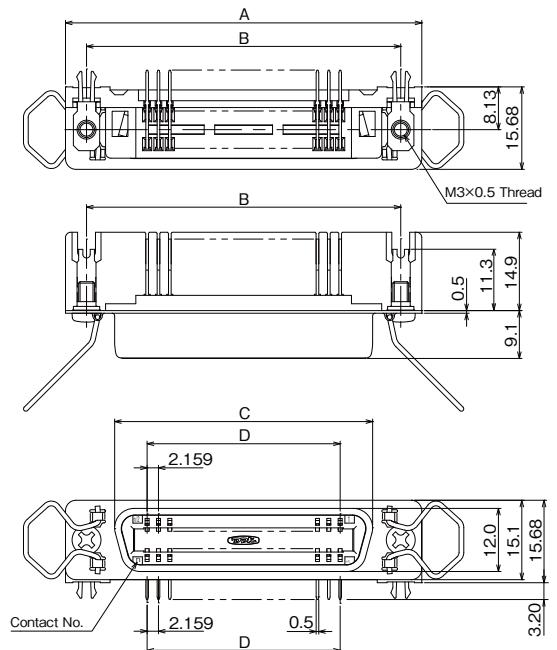
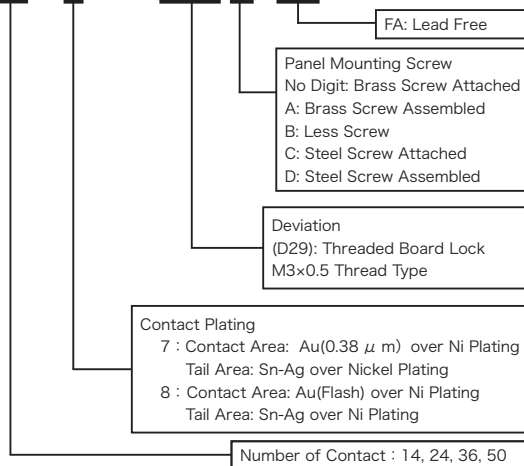
57RE-40360-830B(D15B)-FA



Part Number	Number of Contact	A	B	C	D	E
57RE-40140-□30B (D15□)-FA	14	44.00	36.00	25.36	12.954	35.30
57RE-40240-□30B (D15□)-FA	24	54.78	46.78	36.23	23.749	46.08
57RE-40360-□30B (D15□)-FA	36	67.74	59.74	49.05	36.703	59.04
57RE-40500-□30B (D15□)-FA	50	82.85	74.85	64.22	51.816	74.15

※ Panel mounting cut-out dimensions, PCB mounting dimensions : Type 2
(Refer to page 5.)

57RE-40360-830B(D29B)-FA

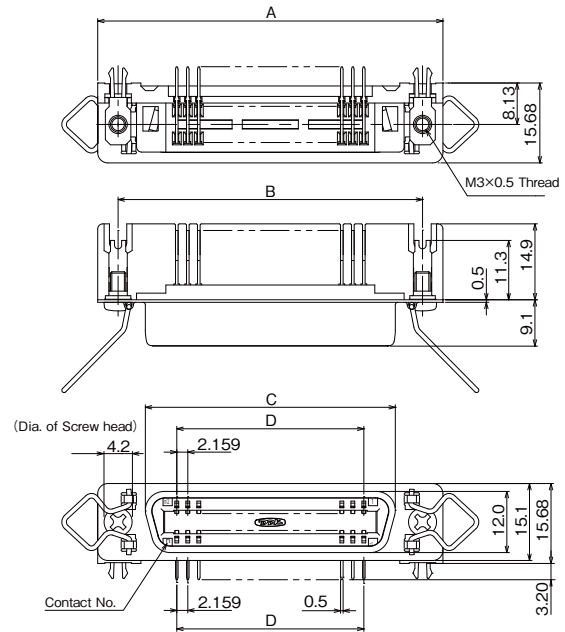
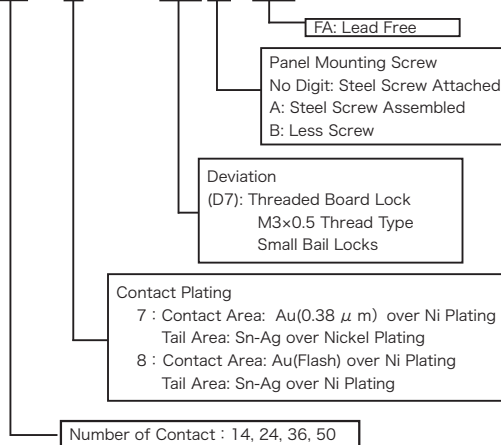


※ The connector as above drawing is assembled panel mounting screws.

Part Number	Number of Contact	A	B	C	D	E
57RE-40140-□30B (D29□)-FA	14	44.00	36.00	25.36	12.954	35.30
57RE-40240-□30B (D29□)-FA	24	54.78	46.78	36.23	23.749	46.08
57RE-40360-□30B (D29□)-FA	36	67.74	59.74	49.05	36.703	59.04
57RE-40500-□30B (D29□)-FA	50	82.85	74.85	64.22	51.816	74.15

※ Panel mounting cut-out dimensions, PCB mounting dimensions : Type 2
(Refer to page 5.)

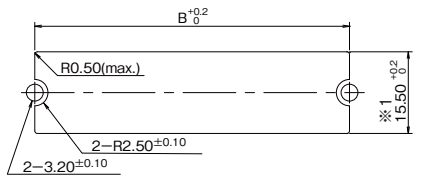
© Specifications and/or dimensions in this catalogue are subject to change without notice.
Your catalogue checking the latest specifications with our drawings would be highly appreciated.

▶ With Threaded Board Lock / Small Bail Locks
57RE-40360-830B(D7B)-FA


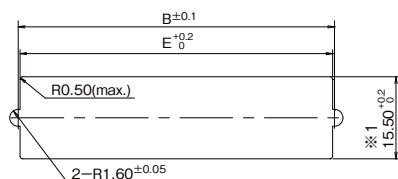
Part Number	Number of Contact	A	B	C	D	E
57RE-40140-□30B-(D7□)-FA	14	44.00	36.00	25.36	12.954	35.30
57RE-40240-□30B-(D7□)-FA	24	54.78	46.78	36.23	23.749	46.08
57RE-40360-□30B-(D7□)-FA	36	67.74	59.74	49.05	36.703	59.04
57RE-40500-□30B-(D7□)-FA	50	82.85	74.85	64.22	51.816	74.15

※ Panel mounting cut-out dimensions, PCB mounting dimensions : Type 2
(Refer to page 5.)

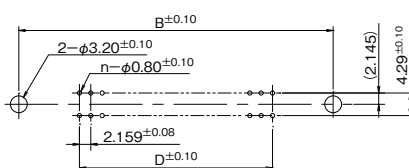
※ The connector as above drawing is assembled panel mounting screws.

▶ Panel Cut-out Dimensions & PCB Mounting Dimensions
Type 1


Panel Cut-out Dimensions Thickness 1.60(max.)
(Front Mounting)

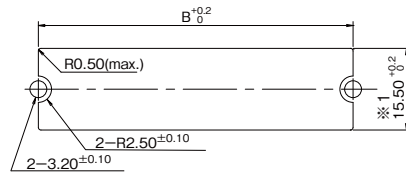


Panel Cut-out Dimensions Thickness 1.60(max.)
(Rear Mounting)

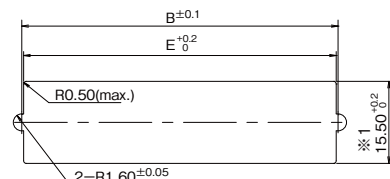


PCB Mounting Dimensions Thickness 1.60 $^{±0.19}$

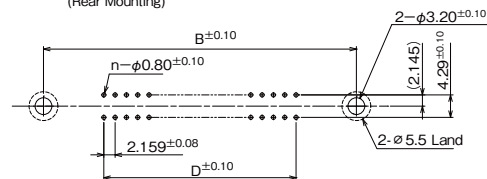
※ 1 : When the mating connector is 57F or 57FE series,
the size ※1 is 16.20 $^{+0.2}_0$.

Type 2


Panel Cut-out Dimensions Thickness 1.60(max.)
(Front Mounting)



Panel Cut-out Dimensions Thickness 1.60(max.)
(Rear Mounting)



PCB Mounting Dimensions Thickness 1.60 $^{±0.19}$

※ 1 : When the mating connector is 57F or 57FE series,
the size ※1 is 16.20 $^{+0.2}_0$.