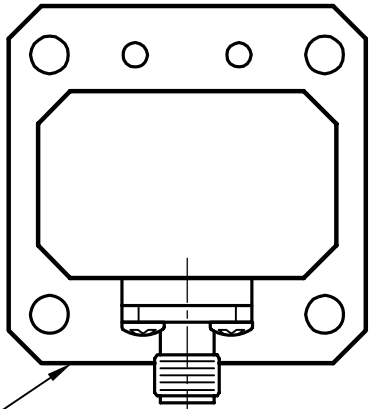


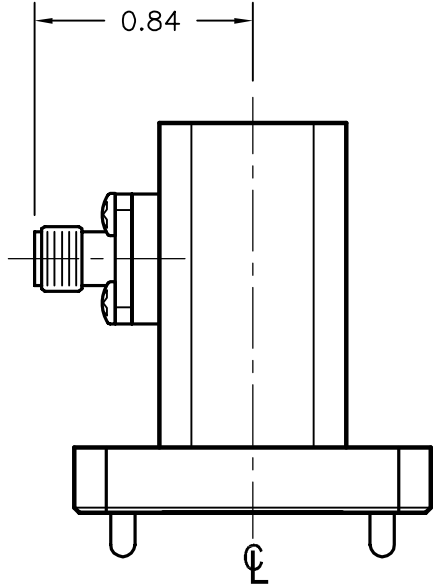
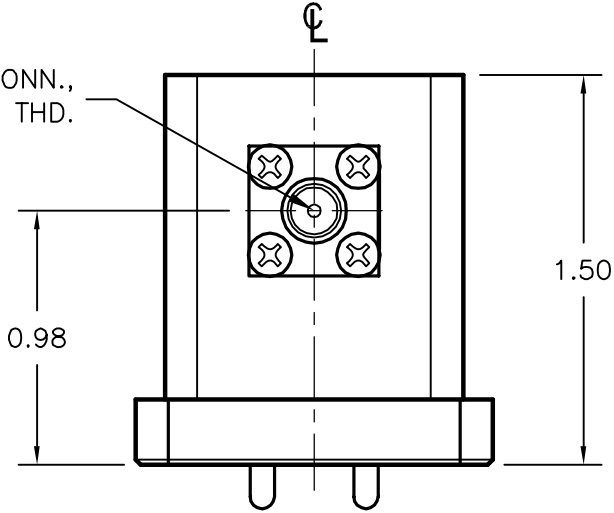
REV -	AUTH RL	DATE 06/24/04	INITIAL RELEASE
REV A	AUTH DRH	DATE 07/01/05	FORMAT UPDATE
REV B	AUTH RL	DATE 09/13/06	FORMAT UPDATE, NOTES REVISED.



FLANGE PER ORDER,
SEE TABLE

*FLANGE TYPES		
C1	COVER	ALT. THRU/TAPPED
C2	COVER	ALL TAPPED
C3	COVER	ALL THROUGH
G1	GROOVE	ALT. THRU/TAPPED
G2	GROOVE	ALL TAPPED
G3	GROOVE	ALL THROUGH

SMA-F CONN.,
1/4-36 UNS-2A THD.



PERFORMANCE SPECIFICATIONS

MODEL NUMBER: 580-251-FLANGE TYPE*
 WG SIZE: WRD580
 FREQ: 5.8 - 16.0 GHz
 MAX. VSWR: 1.25
 FLANGE TYPE: SEE TABLE
 FINISH: UNIQUE CORROSION RESISTANT
 316 STAINLESS STEEL EPOXY

THIRD ANGLE PROJECTION:		APPROVALS	DATE		ADVANCED TECHNICAL MATERIALS, INC. TEL: (631) 289-0363 FAX: (631) 289-0358 www.atmmicrowave.com		THE INFORMATION IN THIS DRAWING IS PROPRIETARY AND SHALL NOT BE USED OR DISCLOSED WITHOUT THE PRIOR WRITTEN CONSENT OF ATM, INC. DO NOT SCALE DWG.
UNLESS OTHERWISE NOTED, DIMENSIONS ARE IN INCHES, TOLERANCES ARE: FRACTIONS: ±1/64 ANGLES: ±1/2°		DRAWN RL	09/13/06				
BASIC DIMENSION	DECIMALS 2 PLACE 3 PLACE	APRVD.		OUTLINE, WRD580 SMA - WAVEGUIDE ADAPTER		SIZE A	REVISION B
UNDER 6"	±.02 ±.005	MATERIAL ALUM.				CAGE CODE 0R8N4	ATM DWG # 2163W
6" - 12"	±.03 ±.010	TREATMENT IRIDITE				SCALE NONE	MODEL # 580-251-XX
OVER 12"	±.06 ±.015	FINISH SEE NOTES				SHEET 1/1	