



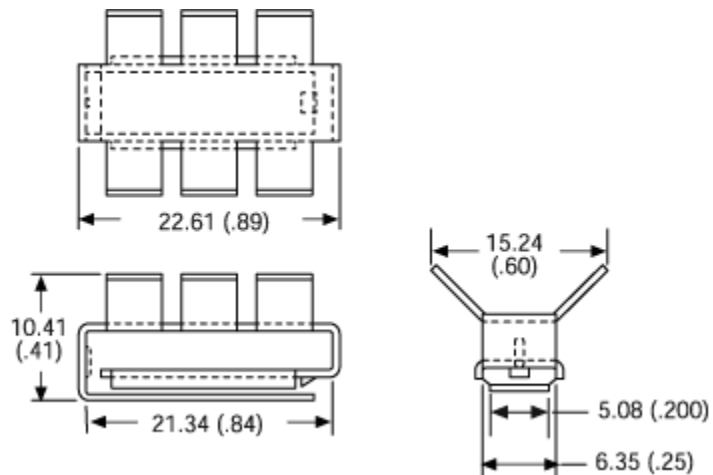
For use with 14 or 16 PIN DIP packages

580200b00000

VIS#002668



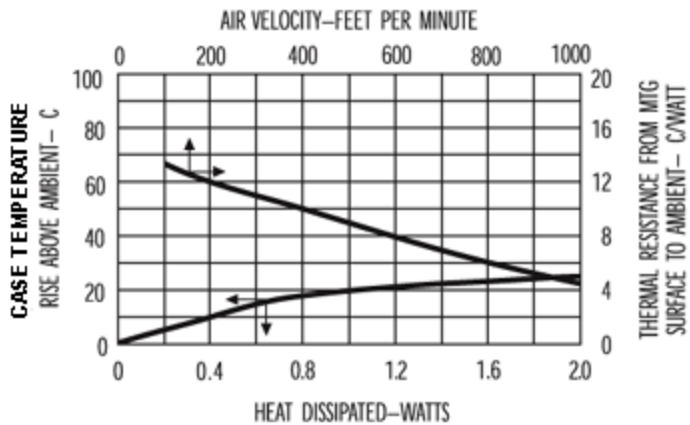
Mechanical Outline Drawing



Thermal Resistance	20.0
---------------------------	------

Thermal resistance value is based on a 75°C rise in natural convection

Thermal Curves



Product Information

12 Digit Part #	Description	Finish	Board Mounting
580200b00000	Heat Sink FOR 14 or 16 Pin dip	Black Anodize	N/A

Not Exactly what you need?

We offer several options for those applications which require a more unique solution. For slight modifications of this part or other attachment options, finishes, and interface materials, contact your [local representative](#). Challenge us with your thermal requirements - we can design custom solutions.

For technical help with our Standard Products,
please call (603) 223-1921, or contact your local Manufacturer's Rep
Email: info@aavid.com

Visit us at www.aavidthermalloy.com • ©2002 Aavid Thermalloy, LLC