

- Meets industrial standards
- Synchro flange or clamping flange
- Up to 20000 ppr at 5000 slits
- 10 V ... 30 V with short circuit protected push-pull transistor output
- 5 V; RS 422
- Comprehensive accessory line
- Cable or connector versions



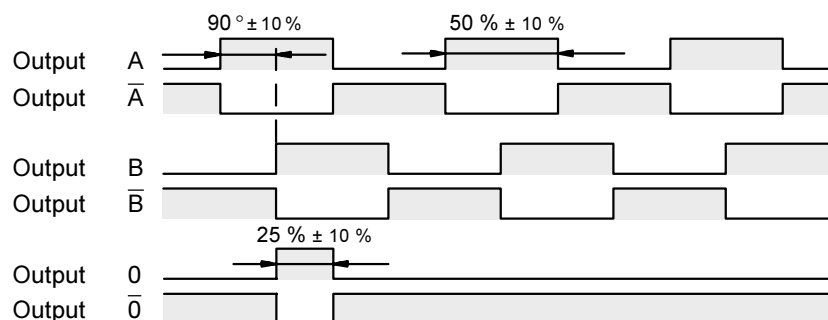
Pulses per revolution:

Plastic disc: Every pulse per revolution: between 1 and 1500.
 Glass disc: 60, 100, 120, 180, 200, 250, 256, 300, 314, 360, 400, 500, 512, 600, 720, 900, 1000, 1024, 1200, 1250, 1500, 1800, 2000, 2048, 2400, 2500, 3000, 3600, 4000, 4096, 5000
 More information available upon request.

Electrical Specifications:

| | | | |
|---|-------|---------------|-----------------------------|
| Measuring principle | | Photoelectric | |
| Maximum pulse count | [I/U] | 5000 | |
| | | RS422 | Push-pull |
| No-load current I_0 at | | | |
| Operating voltage $U_B = 5 V \pm 5 \%$ | [mA] | 100 | -- |
| Operating voltage $U_B = 10 V \dots 30 V$ | [mA] | -- | 80 |
| Operating current I_L per channel | [mA] | 20 | 40, short circuit protected |
| Voltage drop U_d | [V] | -- | < 4 |
| Maximum output frequency f | [kHz] | 160 | 160 |
| Response times | [ns] | 100 | 250 |

Signal Output Configuration (for clockwise rotation):

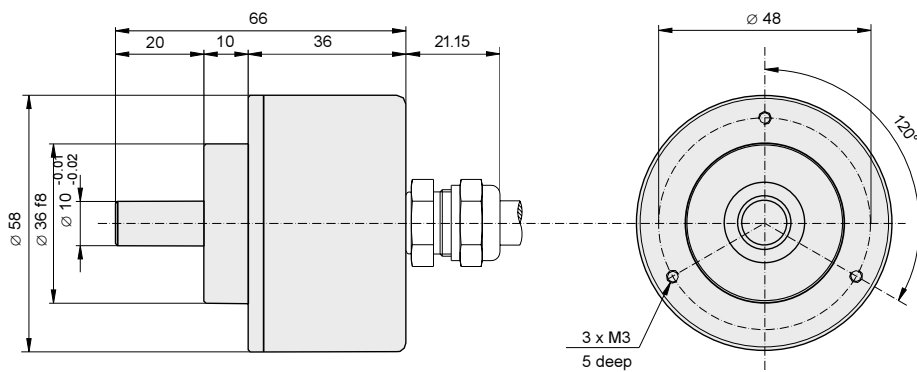
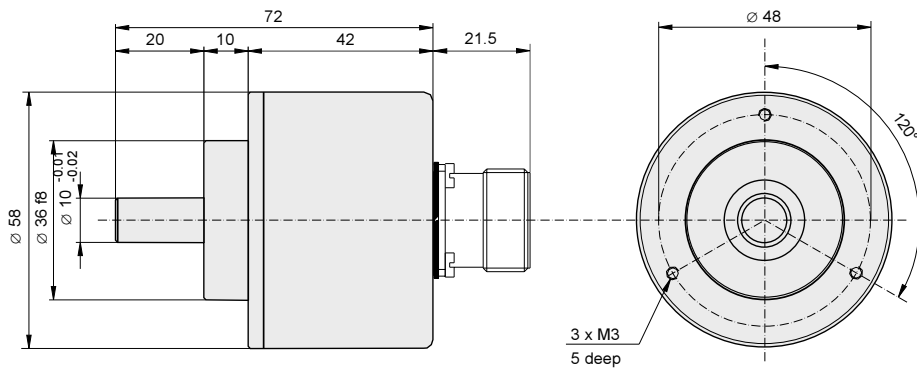


Electrical Connections

| | GND | U_B | A | B | \bar{A} | \bar{B} | 0 | $\bar{0}$ | NC | NC | NC | NC |
|----------------|---------------|---------------|-------|------|-----------|-----------|-----|-----------|------|--------|--------|-------|
| 12-wire cable | white / green | brown / green | brown | grey | green | pink | red | black | blue | violet | yellow | white |
| Connector 9416 | 10 | 12 | 5 | 8 | 6 | 1 | 3 | 4 | 2 | 7 | 9 | 11 |

Date of issue 01.08.1998

Mechanical Dimensions:



Date of issue 01.08.1998

Mechanical Dimensions:



Date of issue 01.08.1998

Subject to reasonable modifications due to technical advances.

Copyright Pepperl+Fuchs, Printed in Germany

Pepperl+Fuchs Group · Tel.: Germany (6 21) 7 76-11 11 · USA (3 30) 4 25 35 55 · Singapore 8 73 16 37 · Internet <http://www.pepperl-fuchs.com>

Mechanical Specifications:

| | | |
|---|----------------------|--|
| Housing | | Aluminum or stainless steel |
| Flange | | Aluminum or stainless steel |
| Pulse disc | | Glass or plastic |
| Shaft | | Stainless steel |
| Bearings | | 2 grooved ball bearings |
| Weight (incl. connector 9412) | [g] | 295 |
| Maximum rotation | [min ⁻¹] | 12000 |
| Inertia | [gcm ²] | 24 |
| Starting torque (20 °C) | [Ncm] | 1.0 |
| Torque (20 °C) | [Ncm] | 1.0 |
| Maximum shaft load, axial F _a | [N] | ≤ 6000 min ⁻¹ : 40 |
| | [N] | ≤ 12000 min ⁻¹ : 10 |
| Maximum shaft load, radial F _r | [N] | ≤ 6000 min ⁻¹ : 60 |
| | [N] | ≤ 12000 min ⁻¹ : 20 |
| Minimal mechanical life | [revolutions] | F _a ≤ 40 N, F _r ≤ 60 N: 5 x 10 ⁹ |
| | [revolutions] | F _a ≤ 10 N, F _r ≤ 20 N: 2.5 x 10 ¹¹ |

Environmental Conditions:

| | | |
|--------------------------------------|------|--|
| Storage temperature | [°C] | Glass disc: -40 ... 70 Plastic disc: -40 ... 60 |
| Working temperature | [°C] | Glass disc: -20 ... 80 Plastic disc: -20 ... 60 |
| Climate check acc. to IEC 68-2-3 | | 40 °C, 98 % rel. humid. (non-condensation), 6 days |
| Interference output acc. to | | EN 50081-2, 1993 |
| Interference resistance acc. to | | EN 50082-2, 1995 |
| Shock resistance acc. to IEC 68-2-27 | | 100 g, 1 ms |
| Protection class acc. to DIN 40050 | | IP 65 |

Key to Model Number:

