

PLEASE CHECK WWW.MOLEX.COM FOR LATEST PART INFORMATION

Part Number: [0584620011](#)
Status: **Active**
Description: HMC™ Rectangular Industrial Plug Hood, Single-Module Type, Vertical, Small, External Thread, 12 and 40 Circuits

Documents:

[Drawing \(PDF\)](#) [RoHS Certificate of Compliance \(PDF\)](#)
[Product Specification PS-54478-001 \(PDF\)](#)

Agency Certification

TUV R72081037
 UL E29179

General

Product Family I/O Connectors
 Series [58462](#)
 Application Panel-Mount, Wire-to-Wire
 Component Type Hood
 Product Name HMC™
 Type N/A

Physical

Boot Color N/A
 Circuits (Loaded) N/A
 Durability (mating cycles max) 50
 Flammability 94V-0
 Gender N/A
 Lock to Mating Part Yes
 Material - Plating Mating n/a
 Orientation Vertical
 Packaging Type Bag
 Panel Mount N/A
 Pitch - Mating Interface (in) 0.000 In
 Pitch - Mating Interface (mm) 0.00 mm
 Polarized to Mating Part Yes
 Polarized to PCB N/A
 Surface Mount Compatible (SMC) N/A
 Temperature Range - Operating -40°C to +125°C
 Termination Interface: Style N/A
 Waterproof / Dustproof Yes
 Waterproof / Dustproof Type IP65

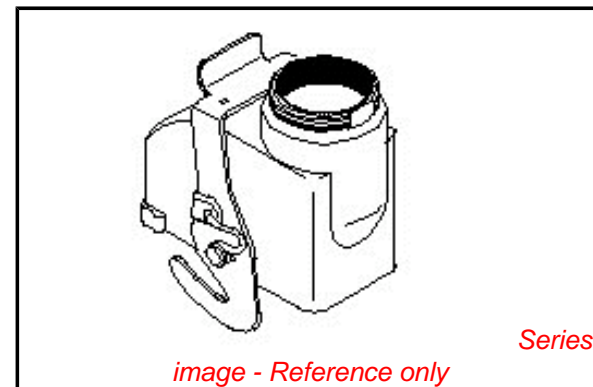
Electrical

Current - Maximum per Contact 35A
 Shielded No

Material Info

Reference - Drawing Numbers

Product Specification PS-54478-001
 Sales Drawing SD-58462-002



EU RoHS

**ELV and RoHS
 Compliant
 REACH SVHC
 Not Reviewed
 Halogen-Free
 Status
 Not Reviewed**

China RoHS



**Need more information on product
 environmental compliance?**

Email productcompliance@molex.com
 For a multiple part number RoHS Certificate of
 Compliance, [click here](#)

Please visit the [Contact Us](#) section for any
 non-product compliance questions.

Search Parts in this Series

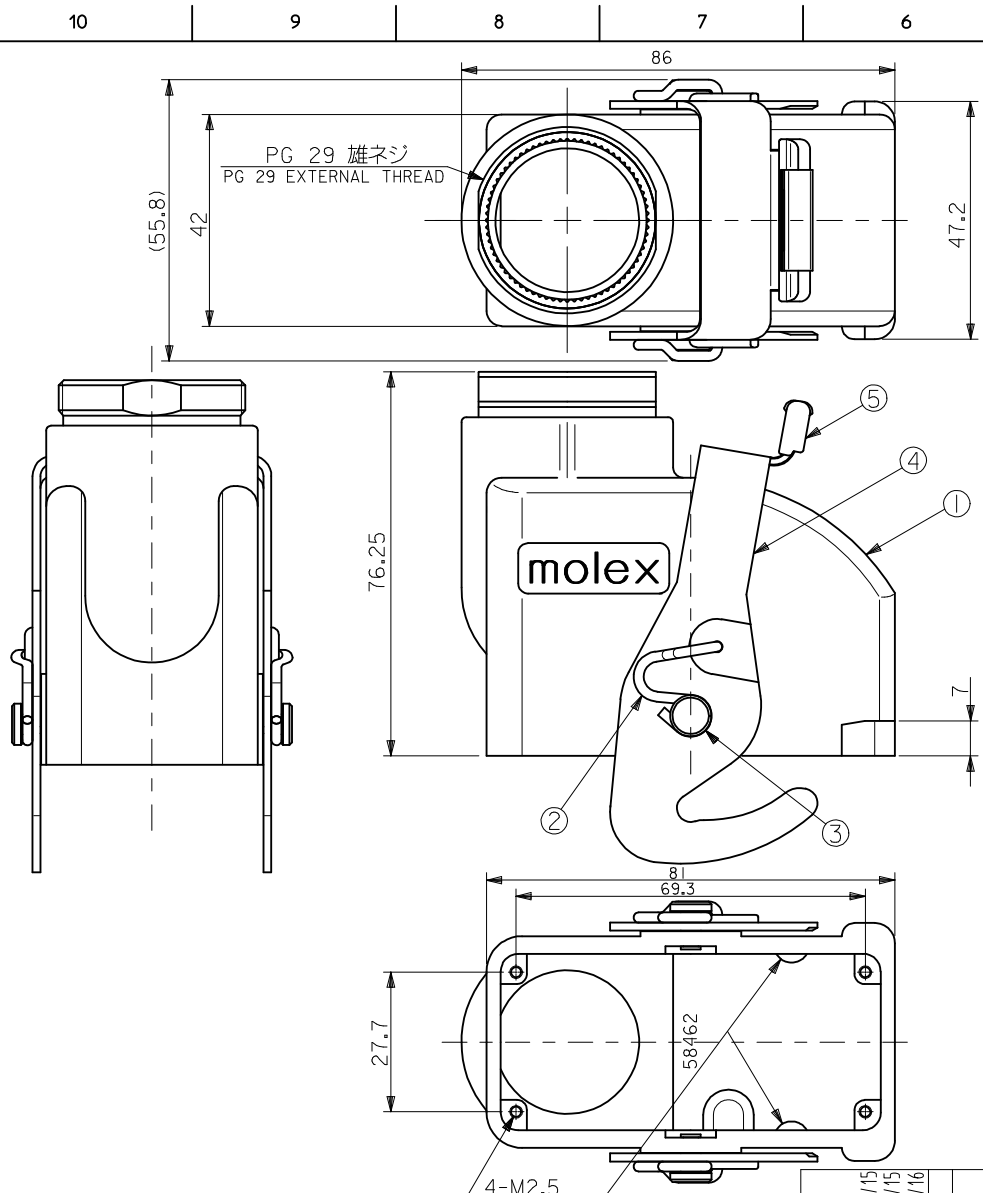
[58462Series](#)

Mates With

[58783-0011](#) panel-mount bracket

Use With

[58550](#) end bell cap assembly, [58782-0011](#)
 hood bracket



- 注)
NOTES
- 適用プラグシェルアッセンブリ : 58782-0011
APPLICABLE PLUG SHELL ASS'Y : 58782-0011
 - 適用エンドベルキャップセット : 58550-****
APPLICABLE END BELL CAP SET : 58550-****

⑤	ノブ KNOB	ポリブチレンテレフタレート, UL 94V-0, 黒 POLYBUTYLENE TELEPHTHALATE, UL94V-0, BLACK	1	
④	レバー LEVER	鋼 STEEL	1	
③	ロックピン LOCKING PIN	ステンレス STAINLESS STEEL	2	58462-0011
②	スプリング SPRING	ステンレス STAINLESS STEEL	2	
①	プラグカバー PLUG COVER	アルミニウム合金 ALUMINIUM ALLOY	1	
部番 NO.	部品名 PARTS NAME	材質 MATERIAL	個数 QUAN.	製品番号 ENG. NO.

REVISED EC NO: J2009-1220 DRWN: YOSHIDAM 2008/12/15 CHKD: THARUYAMA 2008/12/15 APPR: NUKITA 2008/12/16	GENERAL TOLERANCES (UNLESS SPECIFIED)		DIMENSION STYLE MM ONLY	SCALE 1:1	DESIGN UNITS METRIC	THIRD ANGLE PROJECTION
	10 UNDER	±0.2	DRAWN BY J. MIYAZAWA	TITLE ROBOT CONN S/T PLUG COVER FOR SMALL SHELL SHEET 1 OF 2		
	10 OVER 30 UNDER	±0.25	CHECKED BY Y. ITO	MOLEX MOLEX INCORPORATED		
	30 OVER	±0.3	APPROVED BY H. IKESUGI	DOCUMENT NO. SD-58462-002		
	ANGULAR ±3 °	DRAFT WHERE APPLICABLE MUST REMAIN WITHIN DIMENSIONS	MATERIAL NO. SEE TABLE	SHEET NO. 1 OF 1		
			SIZE A3	THIS DRAWING CONTAINS INFORMATION THAT IS PROPRIETARY TO MOLEX INCORPORATED AND SHOULD NOT BE USED WITHOUT WRITTEN PERMISSION		