



67

VERSAPAC INDUSTRIAL RELAY

- 2 to 8 Form C Contacts
- Direct PCB type, Panel / Socket Mountable Types
- Dust Protected / Sealed
- 3 to 7Amp Rating
- Power Adjusted and Sensitive Adjusted Versions
- Special Epoxy Sealed Version with Metal Enclosure
- Solder / Screw type Socket

SPECIFICATIONS

| | |
|----------------------------------------------------|----------------------------------------------------------|
| Contact Arrangement | |
| Power Adjusted Relays | : 2,4,6 & 8 Form C |
| Sensitive Adjusted Relay | : 2,4 & 6 Form C |
| Contact Material | |
| Standard | : Fine Silver with Gold overlay |
| Special | : Sliver composite with Gold overlay |
| | : Bifurcated Contacts |
| Contact Rating | |
| Rated Voltage | : 230VAC / 24VDC |
| Max. Voltage | : 440 VAC / 220VDC |
| Max. Continuous Current | : See Contact Data |
| Life Expectancy | |
| Mechanical | : 10 ⁷ operations |
| Electrical | : 10 ⁶ operations 1A@28VDC/230VAC |
| | : 10 ⁵ operations for 3, 5, & 7A@230VAC/28VDC |
| Contact Resistance | : 50m Ohms Max (Initial) |
| Dielectric Strength | |
| Between Contacts & Coil | : 1000VRMS |
| Between Open Contacts | : 500VRMS |
| Insulation Resistance | : 500 Meg. Ohms at 500VDC, 25 ^o C, RH50 |
| Sensitivity in milli Watts | 2C 4C 6C 8C |
| Power Adjusted | : 575 575 1000 1200 |
| Sensitive Adjusted | : 160 245 380 |
| Operate time (milli sec.) | |
| Power Adjusted | : 12 17 19 21 |
| Sensitive Adjusted | : 24 28 33 |
| Release time (milli sec.) (both power & sensitive) | : 8 11 11 11 |
| Weight | : 30 35 40 45 |
| Ambient Temperature | : -40 ^o C to +70 ^o C |
| Mounting | : Solder, Plug in, PC type |

Typical applications

Railway Applications, Temperature Controllers, Timers, PLCs, Control Panel, Textile Machines etc.

All dimensions are in mm. Specifications subject to change without notice. Tolerance unless otherwise specified is ± 10%

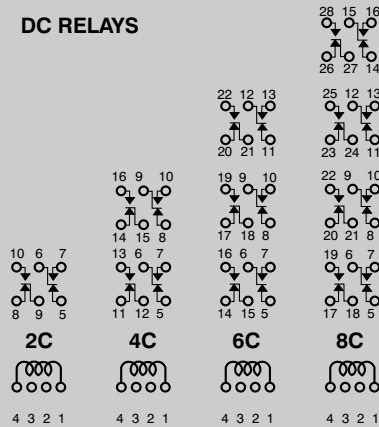
CONTACT RATING at 230VAC/24VDC

| | Resistive | Inductive (L/R 8 m sec.) | Inductive (cosφ =0.7) |
|-----------|-----------|--------------------------|-----------------------|
| Power | 3A | 1.5A | 1.5A |
| | 5A | 2.5A | 5A* 3A |
| | 7A | 3.5A | 5A* |
| Sensitive | 3A | 1.5A | 1.5A |

* For 50000 operations only

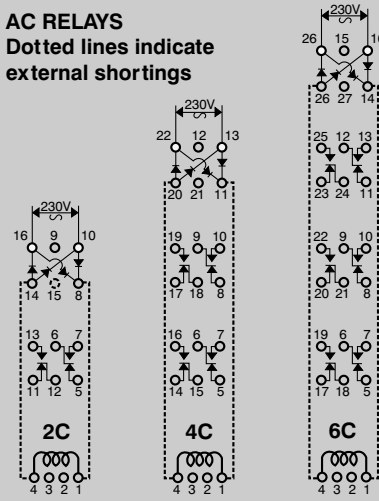
CIRCUIT DIAGRAMS

DC RELAYS

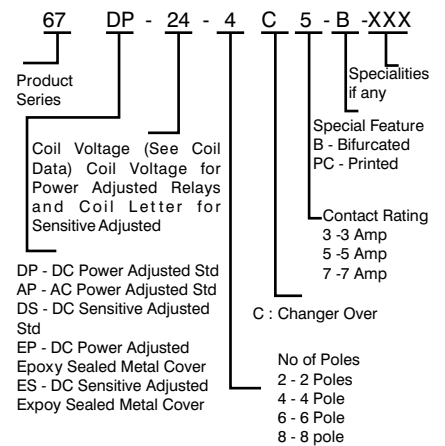


AC RELAYS

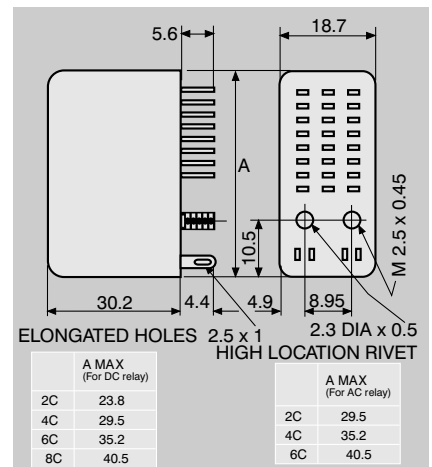
Dotted lines indicate external shortings



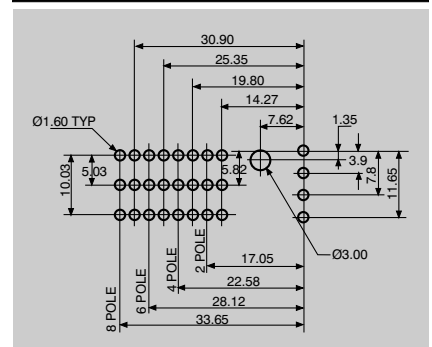
HOW TO ORDER



DIMENSIONS



DRILLING PATTERN



COIL DATA at 25°C AMBIENT

| | | POWER ADJUSTED RELAYS 3,5 & 7A | | | | | | SENSITIVE ADJUSTED RELAYS 3A | | | | | |
|-------------|----------------------------------|--------------------------------|-----------------------|-----------------------|-----------------------|-----------------------|-----------------------|------------------------------|------------------------|--------------------|------------------------|--------------------|------------------------|
| Coil Letter | Coil Resistance OHMS ± 10% | 2 & 4 Form C | | 6 Form C | | 8 Form C | | 2 Form C | | 4 Form C | | 6 Form C | |
| | | Nominal Voltage Volts | Pick-up Voltage Volts | Nominal Voltage Volts | Pick-up Voltage Volts | Nominal Voltage Volts | Pick-up Voltage Volts | Nominal Current Max mA | Pick-up Current Max mA | Nominal Current mA | Pick-up Current Max mA | Nominal Current mA | Pick-up Current Max mA |
| AF | 6 | 2 | 1.6 | 3 | 2.4 | 3.5 | 2.8 | 130.0 | 118.0 | 187 | 170 | 234 | 213 |
| AK | 14 | 3 | 2.4 | 4.5 | 3.6 | 4.8 | 3.8 | 85.4 | 77.6 | 123 | 112 | 154 | 140 |
| W | 16 | 3.5 | 2.8 | 4.8 | 3.8 | 5.0 | 4.0 | 79.9 | 72.6 | 114 | 104 | 144 | 131 |
| C | 20 | 4 | 3.2 | 5 | 4.0 | 6.0 | 4.8 | 71.5 | 65.0 | 102 | 93.3 | 129 | 117 |
| B | 25 | 5 | 4.0 | 6 | 4.8 | 8.0 | 6.4 | 63.8 | 58.0 | 92.9 | 83.5 | 115 | 105 |
| A | 52 | 6 | 4.8 | 8 | 6.4 | 10.0 | 8.0 | 44.2 | 40.2 | 63.4 | 57.6 | 80.7 | 73.4 |
| F | 72 | 7 | 5.6 | 10 | 8.0 | 12.0 | 9.6 | 37.4 | 34.0 | 53.9 | 49.0 | 67.6 | 61.5 |
| E | 90 | 8 | 6.4 | 12 | 9.6 | 14.0 | 11.2 | 34.1 | 31.0 | 48.3 | 43.9 | 59.9 | 54.5 |
| X | 130 | 10 | 8.0 | 14 | 11.2 | 16.0 | 12.8 | 28.1 | 25.5 | 40.3 | 36.6 | 50.5 | 45.8 |
| D | 185 | 12 | 9.6 | 16 | 12.8 | 18.0 | 14.4 | 23.5 | 21.4 | 33.8 | 30.7 | 42.2 | 38.4 |
| Z | 230 | 14 | 11.2 | 18 | 14.4 | 20.0 | 16.0 | 21.3 | 19.4 | 30.3 | 27.5 | 38.0 | 34.5 |
| AA | 280 | 16 | 12.8 | 20 | 16.0 | 22.0 | 17.6 | 19.1 | 17.4 | 27.4 | 24.9 | 34.3 | 31.2 |
| J | 350 | 18 | 14.4 | 22 | 17.6 | 24.0 | 19.2 | 17.1 | 15.5 | 24.5 | 22.3 | 30.7 | 27.9 |
| H | 430 | 20 | 16.0 | 24 | 18.0 | 28.0 | 22.4 | 15.4 | 14.0 | 22.1 | 20.1 | 27.7 | 25.2 |
| AB | 600 | 22 | 17.6 | 28 | 22.4 | 32.0 | 25.6 | 13.0 | 11.8 | 18.7 | 17.0 | 23.4 | 21.3 |
| G | 700 | 24 | 18.0 | 30 | 24.0 | 34.0 | 27.2 | 12.1 | 11.0 | 17.3 | 15.7 | 21.8 | 19.8 |
| S | 1000 | 30 | 24.0 | 40 | 32.0 | 42.0 | 33.6 | 10.2 | 9.4 | 15.1 | 13.8 | 18.7 | 16.9 |
| M | 1250 | 32 | 25.6 | 42 | 33.6 | 48.0 | 38.4 | 9.4 | 8.6 | 13.5 | 12.2 | 16.7 | 15.1 |
| L | 1550 | 36 | 28.8 | 48 | 38.4 | 52.0 | 41.6 | 8.5 | 7.8 | 12.2 | 11.0 | 15.2 | 13.8 |
| AD | 1800 | 40 | 32.0 | 52 | 41.6 | 55.0 | 44.0 | 8.0 | 7.2 | 11.3 | 10.2 | 14.4 | 13.0 |
| K | 2500 | 48 | 38.4 | 60 | 48.0 | 70.0 | 56.0 | 7.0 | 6.3 | 9.7 | 8.8 | 13.3 | 12.0 |
| AG | 2800 | 50 | 40.0 | 65 | 52.0 | 75.0 | 60.0 | 6.7 | 6.0 | 9.3 | 8.4 | 11.5 | 10.4 |
| Y | 3600 | 55 | 44.0 | 70 | 56.0 | 80.0 | 64.0 | 5.9 | 5.3 | 8.2 | 7.4 | 9.6 | 8.7 |
| T | 5000 | 65 | 52.0 | 85 | 68.0 | 95.0 | 76.0 | 5.1 | 4.6 | 7.1 | 6.4 | 8.7 | 7.9 |
| AE | 5800 | 70 | 56.0 | 90 | 72.0 | 100.0 | 80.0 | 4.8 | 4.3 | 6.7 | 6.0 | 8.3 | 7.5 |
| AH | 6000 | 75 | 60.0 | 95 | 76.0 | 102.0 | 81.6 | 4.7 | 4.2 | 6.4 | 5.8 | 8.1 | 7.3 |
| R | 8000 | 80 | 64.0 | 105 | 84.0 | 115.0 | 92.0 | 4.2 | 3.8 | 5.8 | 5.2 | 7.1 | 6.4 |
| P | 9000 | 85 | 68.0 | 115 | 92.0 | 125.0 | 100.0 | 4.0 | 3.6 | 5.4 | 4.9 | 6.7 | 6.0 |
| V | 10000 | 100 | 80.0 | 120 | 96.0 | 130.0 | 104.0 | 3.8 | 3.4 | 5.2 | 4.7 | 6.3 | 5.7 |
| N | 15000 | 115 | 92.0 | 140 | 112.0 | 165.0 | 132.0 | 3.5 | 3.1 | 4.0 | 3.6 | 5.3 | 4.8 |
| AL | 30000 | 230 | 184 | - | - | - | - | - | - | - | - | - | - |

SOCKET ORDERING CODE

RELAY TYPE

PANEL MOUNTING

PCB MOUNTING

2 Form C

67 - 7700 - 200

67 - 8400 - 200

4 Form C

67 - 7700 - 400

67 - 8400 - 400

6 Form C

67 - 7700 - 600

67 - 8400 - 600

8 Form C

67 - 7700 - 800

67 - 8400 - 800