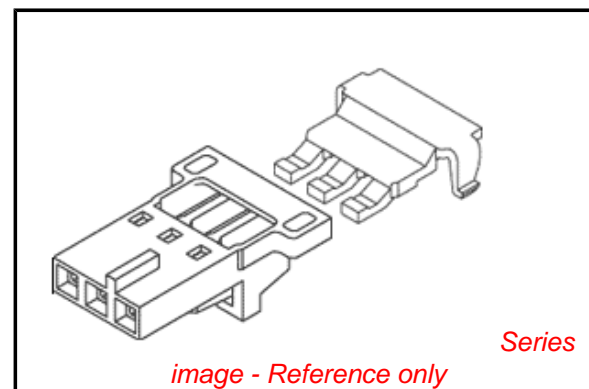


PLEASE CHECK WWW.MOLEX.COM FOR LATEST PART INFORMATION

Part Number: [0050579703](#)
Status: **Active**
Overview: [cgrid_sl_products](#)
Description: 2.54mm (.100") SL™ Crimp Housing, Single Row, Version N, TPA™ with Positive Latch, 3 Circuits

Documents:

3D Model	Product Specification PS-70400 (PDF)
Drawing (PDF)	RoHS Certificate of Compliance (PDF)
Packaging Specification (PDF)	



Agency Certification

CSA	LR19980
TUV	R72081037
UL	E29179

General

Product Family	Crimp Housings
Series	70066
Comments	Version N
Overview	cgrid_sl_products
Product Name	SL™

Physical

Circuits (maximum)	3
Color - Resin	Black
Flammability	94V-0
Gender	Female
Glow-Wire Compliant	No
Material - Resin	Polyester Alloy
Number of Rows	1
Packaging Type	Bag
Panel Mount	No
Pitch - Mating Interface (in)	0.100 In
Pitch - Mating Interface (mm)	2.54 mm
Stackable	No
Temperature Range - Operating	-40°C to +105°C

Material Info

Old Part Number	70066-0387
-----------------	------------

Reference - Drawing Numbers

Packaging Specification	PK-70066-100
Product Specification	PS-70400
Sales Drawing	SD-70066-386

EU RoHS
ELV and RoHS
Compliant
REACH SVHC
Contains SVHC: No
Halogen-Free
Status
Not Halogen-Free

China RoHS



Need more information on product environmental compliance?

Email productcompliance@molex.com
 For a multiple part number RoHS Certificate of Compliance, [click here](#)

Please visit the [Contact Us](#) section for any non-product compliance questions.

Search Parts in this Series

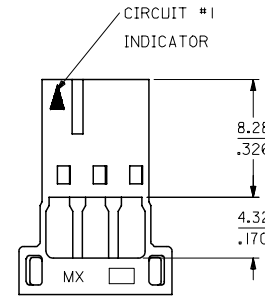
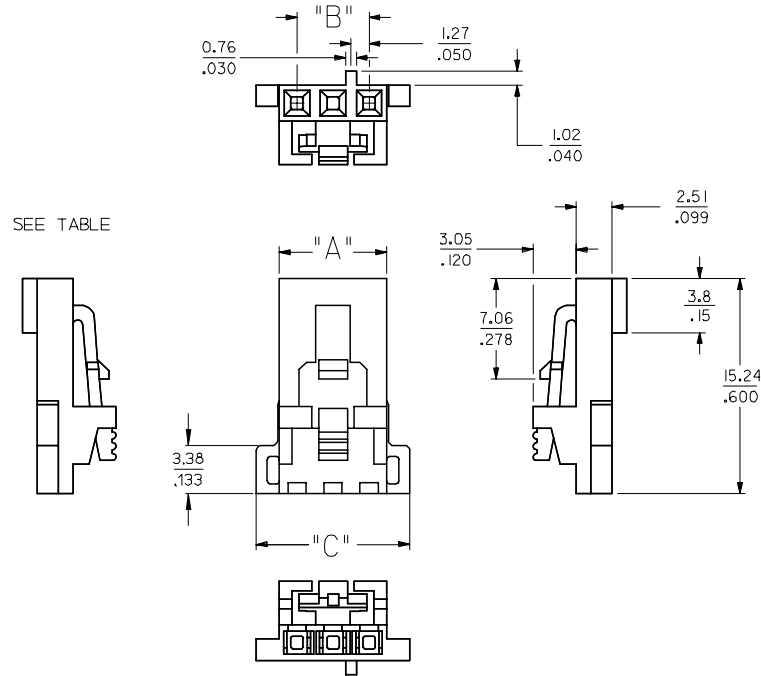
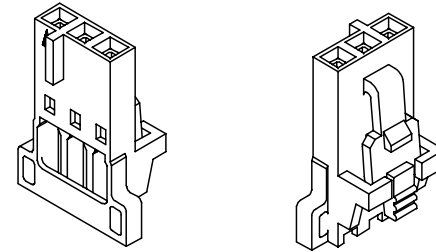
[70066Series](#)

Use With

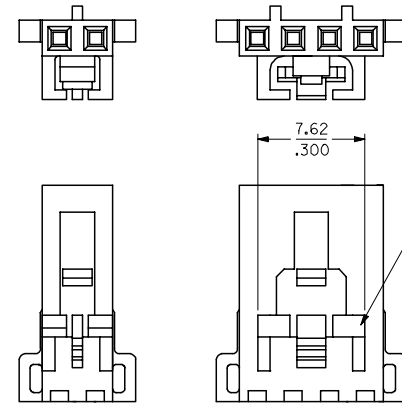
[70058](#) , [71851](#) , [73838](#)

CKT SIZE	EDP. NUMBER	ENG. NUMBER	DIM. 'A'	DIM. 'B'	DIM. 'C'
2	050-57-9702	70066-0386	(5.00) / .197	(2.54) / .100	(8.26) / .325
3	050-57-9703	70066-0387	(7.54) / .297	(5.08) / .200	(10.80) / .425
4	050-57-9704	70066-0388	(10.08) / .397	(7.62) / .300	(13.34) / .525
5	050-57-9705	70066-0389	(12.62) / .497	(10.16) / .400	(15.88) / .625
6	050-57-9706	70066-0390	(15.16) / .597	(12.70) / .500	(18.42) / .725
7	050-57-9707	70066-0391	(17.70) / .697	(15.24) / .600	(20.96) / .825
8	050-57-9708	70066-0392	(20.24) / .797	(17.78) / .700	(23.50) / .925

TERMINAL POSITION ASSURANCE (TPA) OPTION "N"



2 CKT CONFIGURATION 4 THRU 8 CKT CONFIGURATION



NOTES:

- 1) HOUSING, OPTION "N" FOR USE WITH TERMINAL RETENTION SUPPORT SERIES #73838 AND CONTACT SERIES NUMBERS 70058 AND 71851.
- 2) REFER TO CHART FOR AVAILABLE CIRCUIT SIZES.
- 3) MATERIAL: GLASS FILLED POLYESTER, .94V-0, COLOR: BLACK
- 4) PACKAGE PER PK-70066-100.

ADD'D DIMENSION FCC NO: UCP2007-1403 DRAWN: DANIELLEY 2007/01/09 CHK'D: BARKER 2007/01/15 APPR: MILLER 2007/01/15 REV:	QUALITY SYMBOLS ▽=0 ▽=0	GENERAL TOLERANCES (UNLESS SPECIFIED)		DIMENSION STYLE MM/IN		SCALE 4:1	DESIGN UNITS METRIC	THIRD ANGLE PROJECTION		
		mm		INCH		DRAWN BY RE ISDORF	DATE 12/23/1998	TITLE HOUSING, SL CRIMP FOR TERMINAL POSITION ASSURANCE, SALES DRAWING		
		4 PLACES ± .010		± .010		CHECKED BY RE ISDORF	DATE 12/23/1998	MOLEX INCORPORATED MATERIAL NO. SD-70066-386 DOCUMENT NO. SHEET NO. 1 OF 1		
		3 PLACES ± .015		± .015		APPROVED BY BRINKMAN	DATE 12/23/1998			
2 PLACES ± 0.25		± .015		DRAFT WHERE APPLICABLE MUST REMAIN WITHIN DIMENSIONS						
1 PLACE ± 0.38		± .015		SIZE C		THIS DRAWING CONTAINS INFORMATION THAT IS PROPRIETARY TO MOLEX INCORPORATED AND SHOULD NOT BE USED WITHOUT WRITTEN PERMISSION				