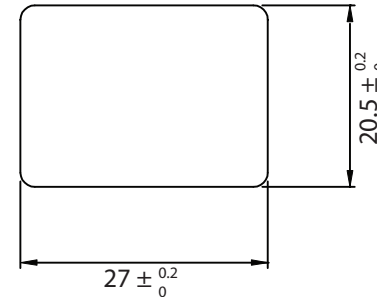
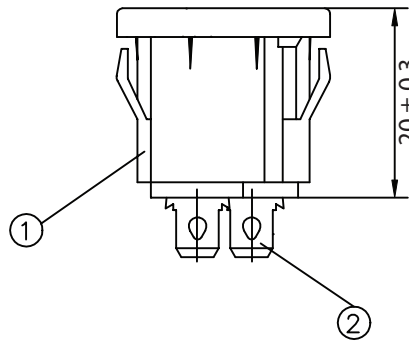
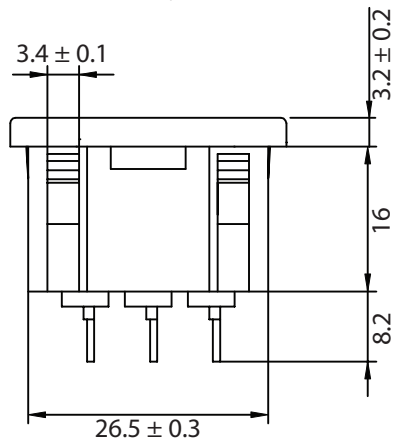
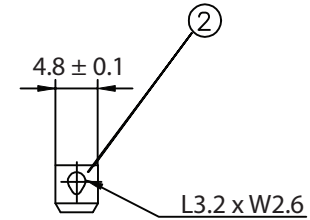
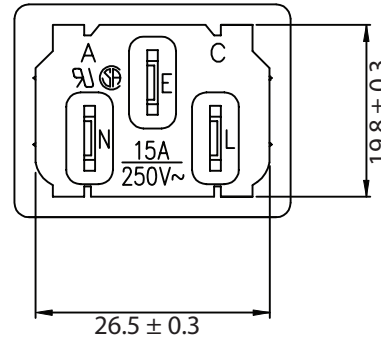
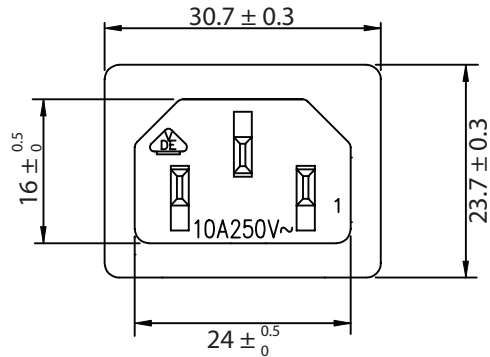


THESE DRAWINGS ARE THE PROPERTY OF QUALTEK ELECTRONICS AND NOT TO BE REPRODUCED FOR OR COMMUNICATED TO A THIRD PARTY WITHOUT THE EXPRESS WRITTEN PERMISSION OF AN OFFICER OF QUALTEK ELECTRONICS.

REVISION			
REV.	DESCRIPTION	DATE	APPROVED
B	RoHS Compliancy	06-01-06	DP
C	Updated Dimensions	06-30-08	DP



PANEL CUTOUT THICKNESS FOR PLASTIC PANEL 0.8mm~1.5mm  
 PANEL CUTOUT THICKNESS FOR STEEL PANEL 0.8mm~2.0mm

**CONTROLLED**

NOTES:

MATERIAL:

HOUSING: THERMOPLASTIC  
 TERMINAL: COPPER ALLOY

RATING:

UL, CSA: 15A 250V AC  
 VDE: 10A 250V AC  
 INSULATION RESISTANCE: OVER 100 OHM 500V DC  
 DIELECTRIC RESISTANCE: 2000V AC ONE MINUTE  
 APPROVALS: UL, CSA, VDE  
 RoHS COMPLIANT

2	Terminal Set COPPER ALLOY Tin-Plated	3			
1	Housing SNAP-IN TYPE	1			
Dim range (mm)		Tolerance +/- (mm)		<b>Qualtek Electronics Corp.</b> PPC DIVISION Part Number: <b>701W-X2/03</b> <span style="border: 1px solid green; padding: 2px;">RoHS Compliant</span>	
0-1		0.15			
1-6		0.20		Description: <b>AC RECEPTACLE</b>	
6-18		0.30			
18-50		0.50		UNIT: mm	
50-120		0.70		REV. C	
120-250		0.90		Drawn / Date	Checked / Date
250-500		1.20		B.Zhang 05-24-05	05-24-05
				Approved / Date	JJH / 05-24-05