

PLEASE CHECK WWW.MOLEX.COM FOR LATEST PART INFORMATION

Part Number: [0716603530](#)
Status: **Active**
Description: 1.27mm (.050") Pitch EBBI™ 50D - Receptacle, Vertical, IDT

Documents:

[3D Model](#) [Product Specification PS-71660 \(PDF\)](#)
[Drawing \(PDF\)](#) [RoHS Certificate of Compliance \(PDF\)](#)

Agency Certification

CSA LR19980
 UL E29179

General

Product Family IDT and Solder Connectors
 Series [71660](#)
 Crimp Quality Equipment Yes
 Product Name EBBI™

Physical

Circuits (Loaded) 30
 Color - Resin Natural (White)
 Durability (mating cycles max) 2,000
 Flammability 94V-0
 Gender Female
 Glow-Wire Compliant No
 Lock to Mating Part None
 Material - Metal Phosphor Bronze
 Material - Plating Mating Gold
 Material - Plating Termination Tin
 Material - Resin Polyester
 Number of Rows 2
 Packaging Type Tray
 Pitch - Mating Interface (in) 0.050 In
 Pitch - Mating Interface (mm) 1.27 mm
 Plating min: Mating (µin) 30
 Plating min: Mating (µm) 0.75
 Plating min: Termination (µin) 100
 Plating min: Termination (µm) 2.5
 Stackable No
 Temperature Range - Operating -40°C to +105°C
 Termination Interface: Style IDT or Pierce
 Wire Size AWG 30

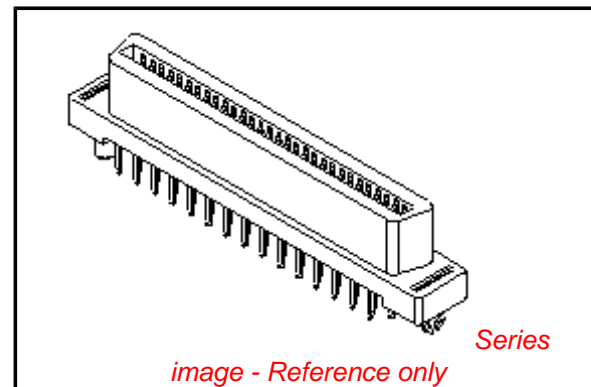
Electrical

Current - Maximum per Contact 1A
 Voltage - Maximum 30V

Material Info

Reference - Drawing Numbers

Application Specification AS-71662-001
 Packaging Specification PK-70873-0403
 Product Specification PS-71660
 Sales Drawing SDA-71660-35**



EU RoHS

ELV and RoHS Compliant
REACH SVHC
 Not Reviewed
Halogen-Free Status

China RoHS



Not Reviewed

Need more information on product environmental compliance?

Email productcompliance@molex.com
 For a multiple part number RoHS Certificate of Compliance, [click here](#)

Please visit the [Contact Us](#) section for any non-product compliance questions.

Search Parts in this Series

[71660Series](#)

Application Tooling | [FAQ](#)

Tooling specifications and manuals are found by selecting the products below. Crimp Height Specifications are then contained in the Application Tooling Specification document.

Global

Description	Product #
IDT - Manual Press	0622004600
IDT - Manual Press	0622005500

This document was generated on 05/24/2010

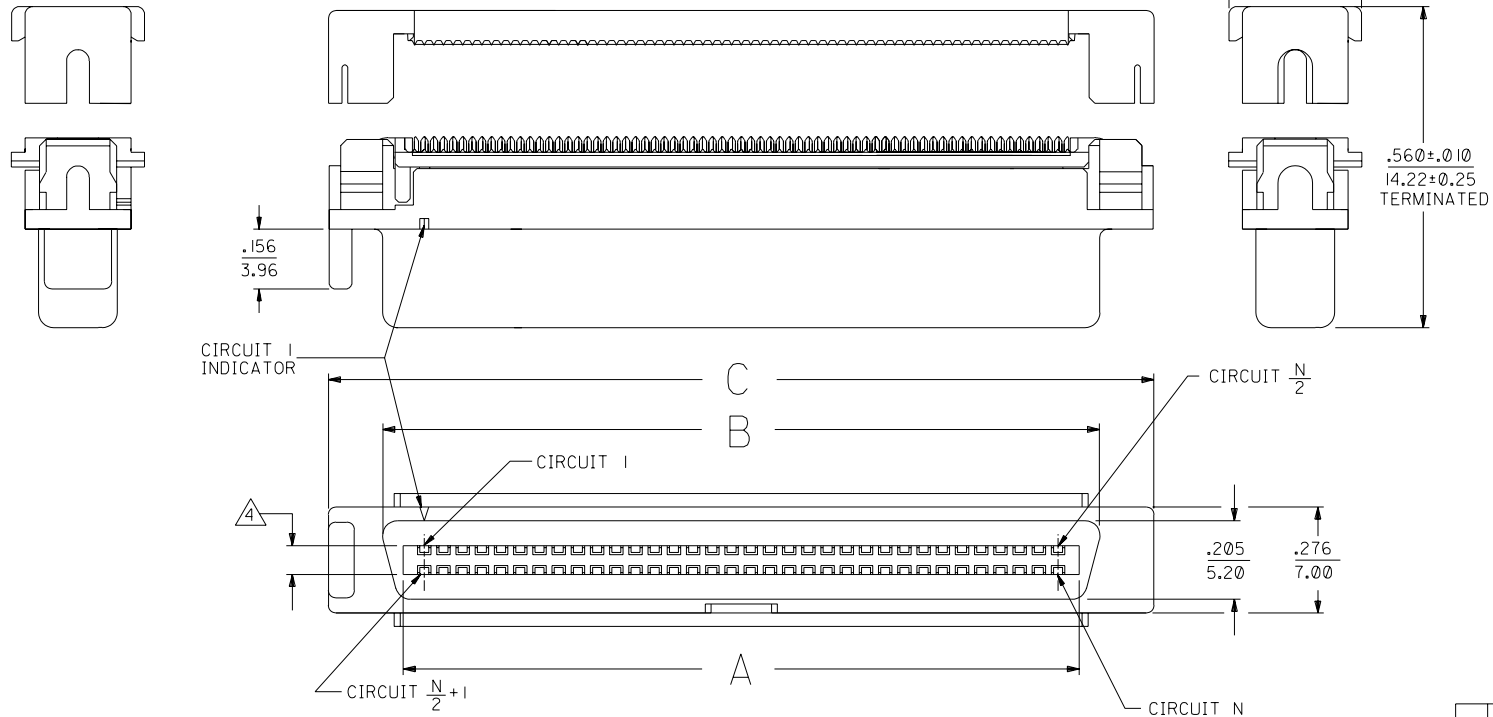
PLEASE CHECK WWW.MOLEX.COM FOR LATEST PART INFORMATION

NOTES:

- 1) MATERIALS:
HOUSING- LCP, GLASS FILLED, 94V-0, BLACK.
ALIGNER, TERMINATION COVER- POLYESTER, GLASS FILLED, 94V-0, GREY.
TERMINALS- PHOSPHOR BRONZE ALLOY.
- 2) FINISH:
SELECTIVE GOLD IN CONTACT AREA
THICKNESS = 30 MICROINCHES / 0.763 MICROMETERS
SELECTIVE TIN IN IDT AREA
THICKNESS = 50 MICROINCHES / 1.27 MICROMETERS
NICKEL UNDERPLATE OVERALL.
- 3) PRODUCT SPECIFICATION: PS-71660.
- 4) ASSEMBLY MATES WITH MOLEX P/N 71661-****.
CONNECTOR WILL ACCEPT MATING TO A P.C. BOARD WITH
A THICKNESS OF .062±.003.
- 5) CONNECTOR WILL TERMINATE .025 ̢ FLAT RIBBON CABLES OF THE FOLLOWING CONSTRUCTION:
#30 AWG STRANDED OR SOLID, PVC INSULATION.
#30 AWG SOLID, FEP INSULATION.
- 6) PRODUCT IS SHIPPED AS A KIT. THE HOUSING/ALIGNER SUB-ASSEMBLY
IS SHIPPED TRAY PACKED. THE TERMINATION COVER IS INCLUDED IN BULK PACKAGING.
PER PACKAGING SPECIFICATION PK 70873-0403.
- 7) APPLICATION TOOLING: SEE APPLICATION SPECIFICATION AS-71662-000.

NOTE FOR LEAD FREE CONVERSION:

THE PRIMARY SHIPPING CARTON WILL BE
LABELED "COMPLIANT TO RoHS DIRECTIVE
2002/95/EC AND ELV ANNEX II OF
DIRECTIVE 2000/53/EC". CARTONS WITHOUT
THIS LABEL MAY CONTAIN PRODUCT WITH
LEAD.



2.445 (62.10)	2.166 (55.02)	2.025 (51.43)	80	71660-3580
2.145 (54.48)	1.866 (47.40)	1.725 (43.81)	68	71660-3568
1.945 (49.40)	1.666 (42.32)	1.525 (38.74)	60	71660-3560
1.695 (43.05)	1.416 (35.97)	1.275 (32.38)	50	71660-3550
1.445 (36.70)	1.166 (29.62)	1.025 (26.04)	40	71660-3540
1.195 (30.35)	.916 (23.27)	.775 (19.68)	30	71660-3530

C	B	A	CKT "N"	MATERIAL NUMBER
---	---	---	---------	-----------------

LEAD FREE CONV
ECN UCP2004-2096
RKADAMS 04/04/23

2	A			
1	B	A		
MFG.	SH.	REV.	LTR.	REVISIONS

RELEASE
PER U2000-0771
ACHAMMER 00/02/22

MOLEX INCORPORATED
LITSE, ILL. 60532 U.S.A.

SHEET NO. 1 OF 2
DATE 00/02/22

DIMENSIONS SHOWN (METRIC) INCH		UNLESS OTHERWISE SPECIFIED TOLERANCES: ANGULAR ± 1/2°	
3 PLACE	± .005	---	---
2 PLACE	± .01	± 0.13	---
1 PLACE	---	± 0.25	---
DRAFT WHERE APPLICABLE MUST REMAIN WITHIN DIMENSIONS			
DRWG. BY: DGA	CHK'D. BY: DGA	SCALE: 4: 1	

REVISIONS ONLY ON CAD SYSTEM

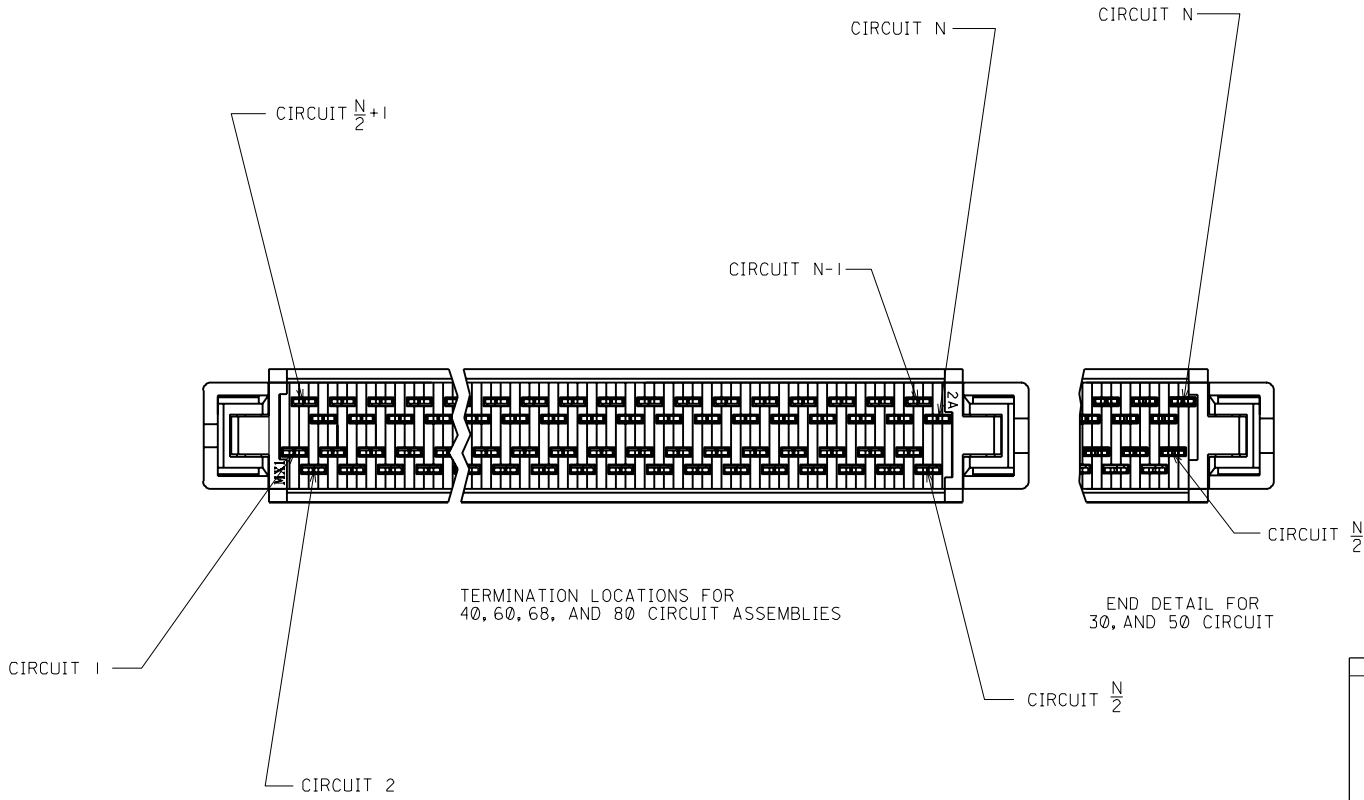
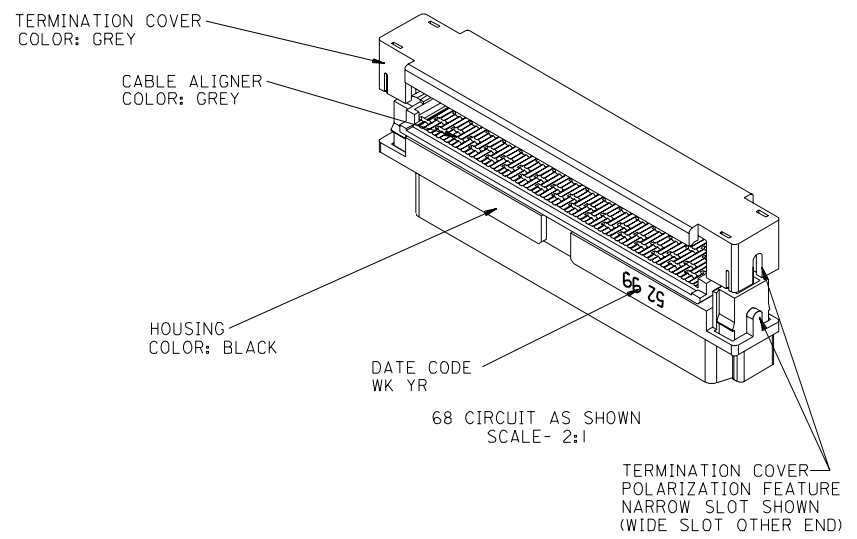
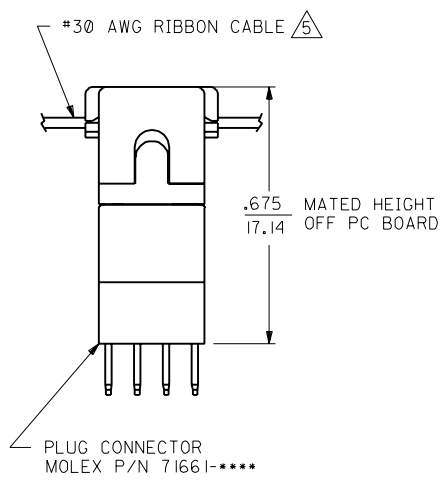
TITLE: SALES ASSEMBLY
EBBI VERTICAL IDT RECEPTACLE
FOR PVC OR FEP RIBBON CABLE

PART NO. SEE TABLE
DRWG. NO. SDA-71660-35**

THIS DRAWING CONTAINS INFORMATION THAT IS PROPRIETARY TO MOLEX INC. AND SHOULD NOT BE USED WITHOUT WRITTEN PERMISSION.

71660

C C



71660

A	SEE SHEET 1
---	-------------

DIMENSIONS SHOWN (METRIC) INCH		▽ = 1		▽ = 6		REVISE ONLY ON CAD SYSTEM	
UNLESS OTHERWISE SPECIFIED TOLERANCES ANGULAR $\pm 1/2^\circ$							
INCH		METRIC		MFG. SH.		REV. LTR.	
3 PLACE	$\pm .005$	---	---	60532		REV. 2	
2 PLACE	$\pm .01$	± 0.13		U.S.A.		DATE 00/02/22	
1 PLACE	---	± 0.25		MOLEX INCORPORATED		SHEET NO. 2	
DRAFT WHERE APPLICABLE MUST REMAIN WITHIN DIMENSIONS				L15LE.ILL.		60532	
PART NO. SEE TABLE		DRWG. NO. SDA-71660-35		U.S.A.		DATE 00/02/22	
DRAWN BY DGA		CHK'D BY DGA		FILE NAME		THIS DRAWING CONTAINS INFORMATION THAT IS PROPRIETARY TO MOLEX INC. AND SHOULD NOT BE USED WITHOUT WRITTEN PERMISSION.	
APP'D BY MGB		SCALE 4: 1		DIV. C		SIZE C	