

PLEASE CHECK WWW.MOLEX.COM FOR LATEST PART INFORMATION

Part Number: [0387112207](#)
Status: **Active**
Description: 9.53mm (.375") Pitch Beau™ PCB Terminal Strip, Low Profile, Wire Wrap Terminal, 7 Circuits

Documents:

[Drawing \(PDF\)](#) [RoHS Certificate of Compliance \(PDF\)](#)
[Product Specification PS-38710-001 \(PDF\)](#)

General

Product Family	Terminal Blocks
Series	38711
Application	Wire-to-Board
Component Type	One Piece
Product Name	Fixed Mount Barrier
Type	Barrier Strip

Physical

Circuits (Loaded)	7
Circuits (maximum)	7
Color - Resin	Black
Entry Angle	Horizontal
Lock to Mating Part	None
Material - Metal	Brass
Material - Plating Mating	Tin
Material - Plating Termination	Tin
Material - Resin	Polyester
Number of Rows	1
Orientation	Horizontal
PC Tail Length (in)	0.470 In
PC Tail Length (mm)	11.90 mm
PCB Retention	Yes
Panel Mount	No
Pitch - Mating Interface (in)	0.375 In
Pitch - Mating Interface (mm)	9.53 mm
Pitch - Term. Interface (in)	0.375 In
Pitch - Term. Interface (mm)	9.53 mm
Polarized to Mating Part	No
Shrouded	Dual-Barrier
Stackable	No
Surface Mount Compatible (SMC)	No
Temperature Range - Operating	-40°C to +130°C
Termination Interface: Style	Screw or Lug
Wire Size AWG	14, 16, 18, 20, 22
Wire Size mm ²	0.50 - 1.50

Electrical

Current - Maximum per Contact	15A
Voltage - Maximum	300V

Material Info

Old Part Number	71707
-----------------	-------

Reference - Drawing Numbers

Product Specification	PS-38710-001
Sales Drawing	SD-38711-003

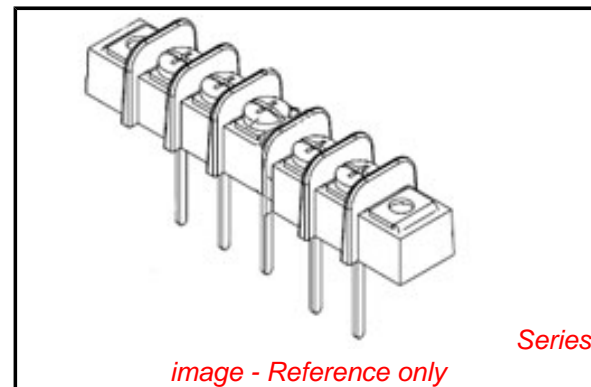


image - Reference only

EU RoHS

**ELV and RoHS
Compliant**
**REACH SVHC
Not Reviewed**
**Halogen-Free
Status**

China RoHS



**Need more information on product
environmental compliance?**

Email productcompliance@molex.com
 For a multiple part number RoHS Certificate of Compliance, [click here](#)

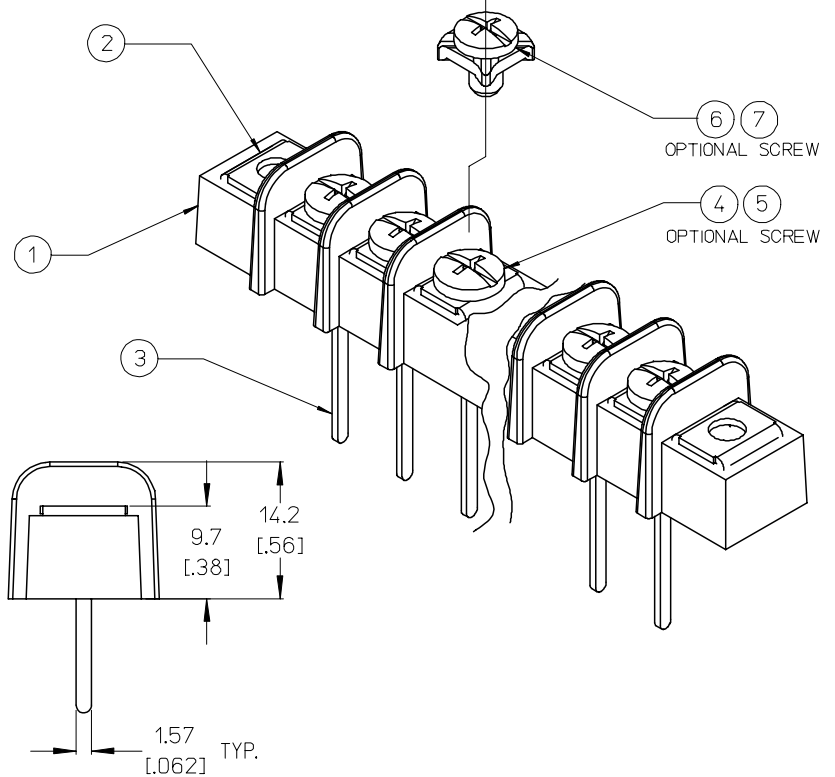
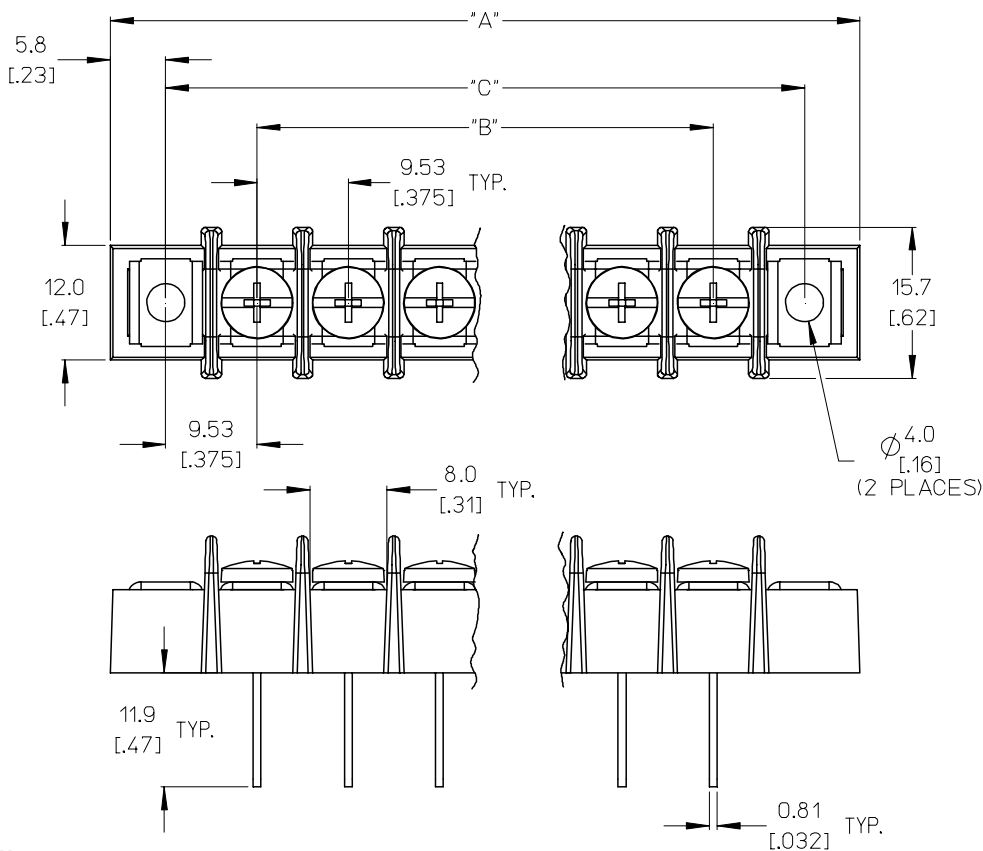
Please visit the [Contact Us](#) section for any non-product compliance questions.

Search Parts in this Series

[38711Series](#)

This document was generated on 04/22/2010

PLEASE CHECK WWW.MOLEX.COM FOR LATEST PART INFORMATION



NOTES:

- 1. MATERIAL: SEE TABLE
- 2. FINISHES: SEE TABLE
- 3. INCH DIMENSIONS ARE SHOWN IN BRACKETS [XXX].
- 4. "XX" REFERS TO NUMBER OF CIRCUITS.
- 5. ASSEMBLY IS ROHS COMPLIANT.

ITEM	QTY.	DESCRIPTION	MATERIAL	FINISH
7	XX	#6-32 PH/SLOTTED SCREW W/ WASHER (OPT -49,-50)	BRASS	NICKEL PLATE
6	XX	#6-32 PH/SLOTTED SCREW W/ WASHER (OPT -50)	STEEL	ZN, CLEAR CHROMATE
5	XX	#6-32 PH/SLOTTED SCREW (OPT -49)	BRASS	NICKEL PLATE
4	XX	#6-32 PH/SLOTTED SCREW (STANDARD)	STEEL	ZN, CLEAR CHROMATE
3	XX	TERMINAL, WW	BRASS	TIN PLATE
2	2	MOUNTING PLATE	BRASS	NICKEL PLATE
1	1	INSULATOR	PBT	BLACK

INITIAL RELEASE
 EC NO: ETC2007-0344
 DRW: JYORK 2007/04/10
 CHKD: JMACNEIL 2007/04/27
 APPR: JMACNEIL 2007/04/30

QUALITY SYMBOLS

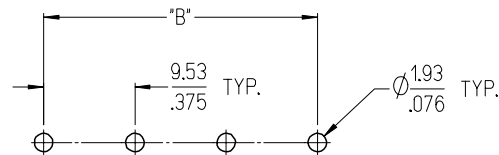
 DESCRIPTION
 REV

GENERAL TOLERANCES (UNLESS SPECIFIED)	
	MM
4 PLACES	± .005
3 PLACES	± .01
2 PLACES	± .013
1 PLACE	± .03
ANGULAR ± 2 °	

DIMENSION STYLE	
MM/IN	DATE
C. YORK	2007/03/20
JMACNEIL	2007/03/20
JMACNEIL	2007/03/20

SCALE	DESIGN UNITS	THIRD ANGLE PROJECTION
2:1	INCH	
TITLE 9.53MM [.375] SR BTS, WW ASSY, LOW PROFILE		
APPROVED BY JMACNEIL 2007/03/20		
MATERIAL NO. SEE SHT. 2		SHEET NO. 1 OF 2
MOLEX INCORPORATED DOCUMENT NO. SD-38711-003		

MATERIAL NO. (OPT -49,-50)	MATERIAL NO. (OPT -49)	MATERIAL NO. (OPT -50)	MATERIAL NO. (STANDARD)	NUMBER OF CIRCUITS "XX"	DIM. "A"		DIM. "B"		DIM. "C"	
38719-0466	38711-2802	38711-3402	38711-2202	02	40.2	[1.58]	9.53	[.375]	28.6	[1.13]
	38711-2803	38711-3403	38711-2203	03	49.7	[1.96]	19.05	[.750]	38.1	[1.50]
38719-0614	38711-2804	38711-3404	38711-2204	04	59.2	[2.33]	28.58	[1.125]	47.6	[1.88]
	38711-2805	38711-3405	38711-2205	05	68.7	[2.71]	38.10	[1.500]	57.2	[2.25]
38719-0467	38711-2806	38711-3406	38711-2206	06	78.3	[3.08]	47.63	[1.875]	66.7	[2.63]
38719-0468	38711-2807	38711-3407	38711-2207	07	87.8	[3.46]	57.15	[2.250]	76.2	[3.00]
	38711-2808	38711-3408	38711-2208	08	97.3	[3.83]	66.68	[2.625]	85.7	[3.38]
38719-0469	38711-2809	38711-3409	38711-2209	09	106.8	[4.21]	76.20	[3.000]	95.3	[3.75]
	38711-2810	38711-3410	38711-2210	10	116.4	[4.58]	85.73	[3.375]	104.8	[4.13]
	38711-2811	38711-3411	38711-2211	11	125.9	[4.96]	95.25	[3.750]	114.3	[4.50]
	38711-2812	38711-3412	38711-2212	12	135.4	[5.33]	104.78	[4.125]	123.8	[4.88]
	38711-2813	38711-3413	38711-2213	13	144.9	[5.71]	114.30	[4.500]	133.4	[5.25]
	38711-2814	38711-3414	38711-2214	14	154.5	[6.08]	123.83	[4.875]	142.9	[5.63]
	38711-2815	38711-3415	38711-2215	15	164.0	[6.46]	133.35	[5.250]	152.4	[6.00]
	38711-2816	38711-3416	38711-2216	16	173.5	[6.83]	142.88	[5.625]	161.9	[6.38]
	38711-2817	38711-3417	38711-2217	17	183.0	[7.21]	152.40	[6.000]	171.5	[6.75]
	38711-2818	38711-3418	38711-2218	18	192.6	[7.58]	161.93	[6.375]	181.0	[7.13]
	38711-2819	38711-3419	38711-2219	19	202.1	[7.96]	171.45	[6.750]	190.5	[7.50]
	38711-2820	38711-3420	38711-2220	20	211.6	[8.33]	180.98	[7.125]	200.0	[7.88]
	38711-2821	38711-3421	38711-2221	21	221.1	[8.71]	190.50	[7.500]	209.6	[8.25]
	38711-2822	38711-3422	38711-2222	22	230.7	[9.08]	200.03	[7.875]	219.1	[8.63]
	38711-2823	38711-3423	38711-2223	23	240.2	[9.46]	209.55	[8.250]	228.6	[9.00]
	38711-2824	38711-3424	38711-2224	24	249.7	[9.83]	219.08	[8.625]	238.1	[9.38]
	38711-2825	38711-3425	38711-2225	25	259.2	[10.21]	228.60	[9.000]	247.7	[9.75]
	38711-2826	38711-3426	38711-2226	26	268.8	[10.58]	238.13	[9.375]	257.2	[10.13]



RECOMMENDED PCB LAYOUT

SEE SHEET 1 EC NO: ETC2007-0344 DRWN: C. YORK 2007/04/10 CHKD: JMACNEIL 2007/04/27 APPR: JMACNEIL 2007/04/30	QUALITY SYMBOLS ▽=0 ▽=0	GENERAL TOLERANCES (UNLESS SPECIFIED)		DIMENSION STYLE MM/IN		SCALE 2:1	DESIGN UNITS INCH	THIRD ANGLE PROJECTION	
		4 PLACES ± --- ± ---	3 PLACES ± --- ± .005	DRAWN BY C. YORK	DATE 2007/03/20	TITLE 9.53MM [.375] SR BTS, WW ASSY, LOW PROFILE			
		2 PLACES ± 0.13 ± .01	1 PLACE ± 0.3 ± ---	CHECKED BY JMACNEIL	DATE 2007/03/20				
		ANGULAR ± 2 °		APPROVED BY JMACNEIL		DATE 2007/03/20	MOLEX INCORPORATED		
DRAFT WHERE APPLICABLE MUST REMAIN WITHIN DIMENSIONS		MATERIAL NO. SEE CHART		DOCUMENT NO. SD-38711-003		SHEET NO. 2 OF 2			